



BRECKWELL

Model BH3024FP



WARNING:
FIRE OR EXPLOSION HAZARD
Failure to follow safety warnings exactly could result in serious injury, death, or property damage.

- Do not store or use gasoline or other flammable vapors and liquids in the vicinity of this or any other appliance.
- **WHAT TO DO IF YOU SMELL GAS**
 - Do not try to light any appliance.
 - Do not touch any electrical switch; do not use any phone in your building.
 - Leave the building immediately.
 - Immediately call your gas supplier from a neighbor's phone. Follow the gas supplier's instructions.
 - If you cannot reach your gas supplier, call the fire department.
- Installation and service must be performed by a qualified installer, service agency or the gas supplier.

Please read this manual BEFORE installing and operating this fireplace.

INSTALLER: Leave this manual with the appliance.
CONSUMER: Retain this manual for future reference.



CALIFORNIA PROPOSITION 65 WARNING:

This product can expose you to chemicals including carbon monoxide, which is known to the State of California to cause cancer, birth defects and/or other reproductive harm. For more information, go to www.P65warnings.ca.gov



Report # F18-426R1

227 Industrial Park Rd. • South Pittsburg, TN 37380 •
Phone: 423-403-4031 • Web: www.breckwell.com

853785C-1004N

Certifications

LABORATORY

PFS-TECO Laboratories

STANDARDS

- ANSI Z21.88-2017/CSA 2.33-2017, Vented Gas Fireplace Heaters
- CSA 2.17-2017, Gas-Fired Appliances for Use at High Altitudes
- CSA P.4.1-2015, Testing Method for Measuring Annual Fireplace Efficiency

This installation must conform with local codes, or in the absence of local codes, with the National Fuel Gas Code, ANSI Z223.1/NFPA 54, or the Natural Gas and Propane Installation Code, CSA B149.1.


DANGER



**HOT GLASS WILL
CAUSE BURNS.**

**DO NOT TOUCH GLASS
UNTIL COOLED.**

**NEVER ALLOW CHILDREN
TO TOUCH GLASS.**

A barrier designed to reduce the risk of burns from the hot viewing glass is provided with this appliance and shall be installed for the protection of children and other at-risk individuals. 852502B

**NATIONAL
FIREPLACE
INSTITUTE**



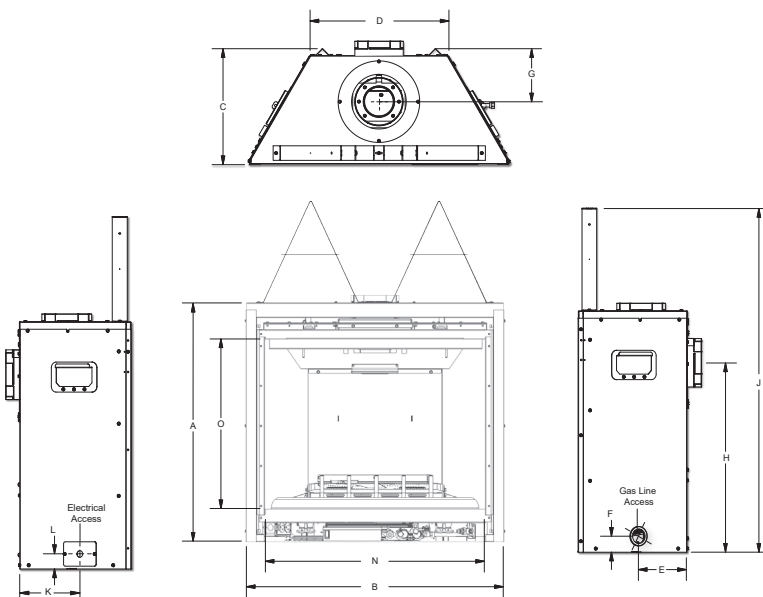
CERTIFIED
www.nficertified.org

We recommend that our gas hearth products be installed and serviced by professionals who are certified in the U.S. by the National Fireplace Institute® (NFI) as NFI Gas Specialists.

This appliance may be installed in an after market permanently located, manufactured home (USA only) or mobile home, where not prohibited by local codes. It is only for use with the type of gas indicated on the rating plate, and is not convertible for use with other gassed, unless a certified kit is used.

- After-market: Completion of sale, not for purpose of resale, from the manufacturer.

Dimensions



Physical Dimensions			
		inches	mm
A	Height	33	839
B	Width	35 - 1/2	902
C	Depth	15 - 1/2	394
D	Back Width	19	483
E	Gas Line Access Center	7 - 1/2	166
F	Base To Gas Line Center	2 - 1/4	58
G	Back To Top Vent Center	7 - 1/2	166
H	Floor To Rear Vent Center	26	661
J	Floor To Top Stand Offs	47	1094
K	Back To Electrical Access	9	204
L	Bottom To Electrical Access	2	51



Note: Register your product by using your smart phone with the QR code. Save your receipts with your records for any warranty claims.

You can also register your product online at www.breckwell.com/product-registration

Safety Label

NOTE: This image is only an example. The label on the actual unit will vary slightly.

FOR YOUR SAFETY READ BEFORE LIGHTING

WARNING: If you do not follow these instructions exactly, a fire or explosion may result causing property damage, personal injury, or loss of life.

A. This appliance is equipped with an ignition device that automatically lights the pilot. Do not try to light the pilot by hand.

B. BEFORE OPERATING, smell around the appliance area for gas. Be sure to smell next to the floor because some gas is heavier than air and will settle on the floor.



WHAT TO DO IF YOU SMELL GAS

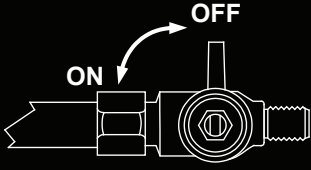

- Do not try to light any appliance.
- Do not touch any electric switch; do not use any phone in your building.
- Immediately call your gas supplier from a neighbor's phone. Follow the gas supplier's instructions.
- If you cannot reach your gas supplier, call the fire department.

C. Use only your hand to turn the gas control manual valve. Never use tools. If the valve will not turn by hand, do not try to repair it; call a qualified service technician. Force or attempted repair may result in a fire or explosion.


D. Do not use this appliance if any part has been under water. Immediately call a qualified service technician to inspect the appliance and to replace any part of the control system and any gas control that has been under water.

OPERATING INSTRUCTIONS

1. **STOP!** Read the safety information above on this label.
2. Press the wireless remote "OFF" button.
3. Turn off all electric power to the appliance.
4. This appliance is equipped with an ignition device which automatically lights the pilot. Do not try to light the pilot by hand.
5. Locate the manual valve installed by your qualified service technician. Turn the manual valve  to the "OFF" position.
6. Wait five (5) minutes to clear out any gas. Then smell for gas, including near the floor. If you smell gas, **STOP!** Follow "B" in the safety information above on this label. If you do not smell gas, go to the next step.
7. Turn the manual valve  counterclockwise to the "ON" position.
8. Turn on all electric power to the appliance.
9. Press the wireless remote ON button.
10. If the appliance will not operate, follow the instructions, "To Turn Off Gas To Appliance" and call your service technician or gas supplier.



TO TURN OFF GAS TO APPLIANCE

1. Press the wireless remote "OFF" button.
2. Turn off all electric power to the appliance if service is to be performed.
3. Locate the manual valve installed by your qualified service technician.
4. Turn the manual valve  clockwise to the "OFF" position.

CAUTION: Hot while in operation. Do not touch. Severe burns may result. Keep children, clothing, furniture, gasoline, and other liquids having flammable vapors away. Keep burner and control compartment clean. See installation and operating instructions accompanying appliance.

CAUTION: Do not operate the appliance with glass removed, cracked, or broken. Replacement of the panel(s) should be done by a licensed or qualified service person.

853069B

NOTE: When initially lit, condensation will appear on the glass. This is normal and will disappear after several minutes. A paint smell will occur during the first few hours of burning. It is recommended to leave the fan off during this period to help speed the paint curing process. It may produce noises of varying degree as it heats and cools due to metal expansion and contraction. This is normal, and does not affect the performance or longevity. See "Curing Instructions" section of this manual.

Requirements For The Commonwealth Of Massachusetts

The following requirements reference various Massachusetts and national codes not contained in this manual. For all sidewall horizontally vented gas fueled equipment installed in every dwelling, building or structure used in whole or in part for residential purposes, including those owned or operated by the Commonwealth and where the side wall exhaust vent termination is less than (7) feet above finished grade in the area of the venting, including but not limited to decks and porches, the following requirements shall be satisfied:

INSTALLATION OF CARBON MONOXIDE DETECTORS

At time of installation of side wall horizontally vented gas fueled equipment, the installing plumber or gas-fitter shall observe that a hard wired carbon monoxide detector with an alarm and battery back-up is installed on the floor level where the gas equipment is to be installed. In addition, the installing plumber or gas-fitter shall observe that a battery operated or hard wired carbon monoxide detector is installed on each additional level of the dwelling, building or structure served by the side wall horizontal vented gas fueled equipment. It shall be the responsibility of the property owner to secure the services of qualified licensed professionals for the installation of hard wired carbon monoxide detectors. In the event that the side wall horizontally vented gas fueled equipment is installed in a crawl space or attic, the hard wired carbon monoxide detector with alarm and battery back-up may be installed on the next adjacent floor level. In the event that the requirements of this subdivision can not be met at the time of completion of installation, the owner shall have a period of thirty (30) days to comply with the above requirements; provided, however, that during said thirty (30) day period, a battery operated carbon monoxide detector with an alarm shall be installed.

APPROVED CARBON MONOXIDE DETECTORS

Each carbon monoxide detector as required in accordance with the above provisions shall comply with NFPA 720 and be ANSI/UL 2034 listed and IAS certified.

SIGNAGE

A metal or plastic identification plate shall be permanently mounted to the exterior of the building at a minimum of eight (8) feet above grade directly in line with the exhaust vent terminal for the horizontally vented gas fueled heating the appliance or equipment. The sign shall read, in print no less the one-half inch (1/2) in size, "GAS VENT DIRECTLY BELOW. KEEP CLEAR OF ALL OBSTRUCTIONS".

INSPECTION

The state or local gas inspector of the side wall horizontally vented gas fueled equipment shall not approve the installation unless, upon inspection, the inspector observes carbon monoxide detectors and signage installed in accordance with the provisions of 248 CMR 5.08 (2) (a) 1 through 4.

EXEMPTIONS

The following equipment is exempt from 248 CMR 5.08 (2) (a) 1 through 4: The equipment listed in Chapter 10 entitled "Equipment Not Required To Be Vented" in the most current edition of NFPA 54 as adopted by the Board; and Product Approved side wall horizontally vented gas fueled equipment installed in a room or structure separate from the dwelling, building or structure used in whole or in part for residential purposes.

MANUFACTURER REQUIREMENTS

Gas Equipment Venting System Provided: When the manufacturer of Product Approved side wall horizontally vented gas equipment provides a venting system design or venting system components with the equipment, the instructions provided by the manufacturer for installation of the equipment and the venting system shall include:

- Detailed instructions for the installation of the venting system design or the venting system components; and
- A complete parts list for the venting system design or venting system.

GAS EQUIPMENT VENTING SYSTEM NOT PROVIDED

When the manufacturer of Product Approved side wall horizontally vented gas equipment does not provide the parts for venting the flue gases, but identifies "special venting systems", the following requirements shall be satisfied by the manufacturer:

- The referenced "special venting systems" instructions shall be included with the appliance or equipment installation instructions and;
- The "special venting systems" shall be Product Approved by the Board, and the instructions for that system shall include a parts list and detailed installation instructions.

A copy of all installation instructions for all Product Approved side wall horizontally vented gas fueled equipment, all venting instructions, all parts lists for venting instructions, and/or all venting design instructions shall remain with the appliance or equipment at the completion of the installation.

Before You Start

Read this owner's manual carefully and completely before trying to assemble, operate, or service. Any change to this appliance or its controls can be dangerous. Improper installation or use can cause serious injury or death from fire, burns, explosions, electrical shock and carbon monoxide poisoning.

This is a vented product. It must be properly installed by a qualified service person. The glass door must be properly seated and sealed. If this appliance is not properly installed by a qualified service person with glass door properly seated and sealed, combustion leakage can occur. CARBON MONOXIDE POISONING: Early signs of carbon monoxide poisoning are similar to the flu with headaches, dizziness and/or nausea. If you have these signs, it may not have been installed properly. Get fresh air at once! Have it inspected and serviced by a qualified service person. Some people are more affected by carbon monoxide than others. These include pregnant women, people with heart or lung disease or anemia, those under the influence of alcohol, and those at high altitudes. Propane/LP gas and natural gas are both odorless. An odor-making agent is added to each of these gases. The odor helps you detect a gas leak. However, the odor added to these gases can fade. Gas may be present even though no odor exists. Make certain you read and understand all warnings. Keep this manual for reference. It is your guide to safe and proper operation.

1. **Installation and repair should be done by a qualified service person. The appliance should be inspected before use and at least annually by a professional service person. More frequent cleaning may be required due to excessive lint from carpeting, bedding material, etc. It is imperative that control compartments, burners, and circulating air passageways of the appliance be kept clean.**
2. Only use the type of gas indicated on the rating plate. This appliance is not convertible for use with other gases unless a certified kit is used.
3. Do not place propane/LP supply tank(s) inside any structure. Locate propane/LP supply tank(s) outdoors. To prevent performance problems, do not use propane/LP fuel tank of less than 100 lbs. capacity.
4. If you smell gas:
 - Shut off gas supply.
 - Do not try to light any appliance.
 - Do not touch any electrical switch; do not use any phone in your building.
 - Immediately call your gas supplier from a neighbor's phone. Follow the gas supplier's instructions.
5. Never install:
 - In a recreational vehicle
 - Where curtains, furniture, clothing, or other flammable objects are less than 36" from the front, top, or sides of it
 - In high traffic areas
 - In windy or drafty areas
6. **This appliance reaches high temperatures. Children and adults should be alerted to the hazards of high surface temperature and should stay away to avoid burns or clothing ignition. It will remain hot for a time after shutdown. Allow surfaces to cool before touching.**
7. **Young children should be carefully supervised when they are in the same room as the appliance. Toddlers, young children and others may be susceptible to accidental contact burns. A physical barrier is recommended if there are at-risk individuals in the house. To restrict access to a fireplace or stove, install an adjustable safety gate to keep toddlers, young children and other at-risk individuals out of the room and away from hot surfaces.**
8. **Due to high temperatures, the appliance should be located out of traffic and away from furniture and draperies. Clothing or other flammable material should not be placed on or near the appliance.**
9. When the appliance is installed directly on carpeting, tile or other combustible material other than wood flooring, you must use a metal or wood panel or hearth pad extending the full width and depth of the appliance.
10. Do not modify the appliance under any circumstances. Any parts removed for servicing must be replaced prior to operating.
11. Turn off and let cool before servicing, installing, or repairing. Only a qualified service person should install, service, or repair it. Have burner system inspected annually by a qualified service person.
12. You must keep control compartments, burners, and circulating air passages clean. More frequent cleaning may be needed due to excessive lint and dust. Turn off the gas valve and pilot light before cleaning.
13. Have venting system inspected annually by a qualified service person. If needed, have venting system cleaned or repaired.
14. Keep the surrounding area clear of combustible materials, gasoline, and other flammable vapor and liquids. Do not run the appliance where these are used or stored. Do not place items such as clothing or decorations on or around the appliance.
15. Do not use to cook food or burn paper or other objects.
16. Never place anything on top of the appliance.
17. Do not use any solid fuels (wood, coal, paper, cardboard, etc.) in this appliance. Use only the gas type indicated on rating plate.
18. This appliance, when installed, must be electrically grounded in accordance with local codes or in the absence of local codes, with the National Electrical Code, ANSI/NFPA 70, or the Canadian Electrical Code, CSA C22.1.

19. Do not obstruct the flow of combustion and ventilation air in any way. Provide adequate clearances around air openings into the combustion chamber along with adequate accessibility clearance for servicing and proper operation.
20. Do not use if any part has been under water. Immediately call a qualified service technician to inspect and if needed replace any part of the control system and any gas control which as been under water.
21. Do not operate if any log is broken.
22. Do not use a blower insert, heat exchanger insert, or any other accessory not approved for use with this appliance.
23. Do not operate with the glass front removed, cracked, or broken. Replacement of the glass should be done by a licensed qualified service person.

PLEASE READ THE FOLLOWING CAREFULLY It is not unusual to have some odor during the first burn. This is due to the manufacturing process. Please ensure that your room is well ventilated during burn off — open all windows. It is recommended that you burn your appliance for at least ten (10) hours the first time you use it. Place the fan switch in the “OFF” position during this time.

WARNING: Never connect this appliance to private (non-utility) gas wells. This gas is commonly known as wellhead gas.

Product Features

PRODUCT SPECIFICATIONS

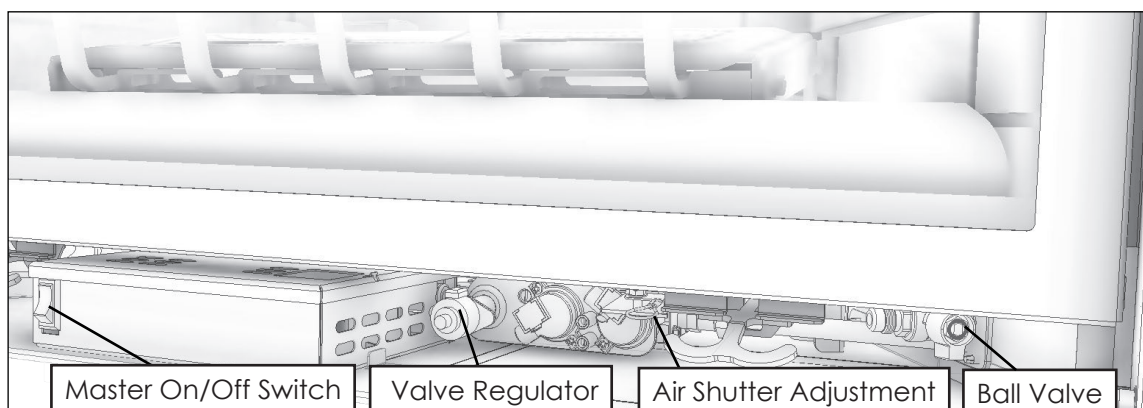
This appliance:

- has been certified for use with either natural or propane gas. See appropriate data plates.
- is not for use with solid fuels.
- is approved for bedroom or bed sitting room installations.
- must be installed in accordance with local codes if any. If none exist use the current installation code. ANSI Z223.1/NFPA 54 in the USA, CSA B149.1 in Canada.
- is mobile home approved.
- must be properly connected to a venting system.
- is not approved for closet installations.
- is approved to be vented using DuraVent, BDM, and Olympia components.

The classification “noncombustible material” includes, but is not limited to stone, brick and mortar. Noncombustibles are safe to overlay the black-painted metal face (including radiant plates) and do not pose a fire hazard. Do not allow any noncombustible finish material to extend past or interfere with opening.

The classification “combustible material” includes, but is not limited to plywood, drywall and particle board. Combustible materials may contact the sides, bottom or back of firebox. Do not overlay the black painted face with combustible materials.

CONTROLS



Gas Pressures		
	Natural	Propane (LP)
Inlet Minimum	5.0" WC	12.0" WC
Inlet Maximum	10.5" WC	14.0" WC
Manifold Pressure	3.8" WC	11.0" WC

Gas Specifications & Orifice Size			
Fuel	Max. Input BTU/h	Min. Input BTU/h	Orifice Size
Nat.	27,000	14,000	#40
LP	27,000	13,000	#53

Canada
ENERGUIDE
Gas Fireplace Energy Efficiency Rating
65%
Based on CSA P.4.1-15
Natural Gas

Canada
ENERGUIDE
Gas Fireplace Energy Efficiency Rating
66%
Based on CSA P.4.1-15
LP Gas

HIGH ELEVATIONS

Input ratings are shown in BTU per hour and are certified without derating for elevations up to 4,500 feet (1,370 m) above sea level. For elevations above 2,000 feet (50.8 m) in USA, installations must be in accordance with the current ANSI Z223.1/NFPA 54 and/or local codes having jurisdiction. In Canada, please consult provincial and/or local authorities having jurisdiction for installations at elevations above 4,500 feet (1,370 m). Natural Gas and Propane Installation Code, CSA B149.1

NOTE: If you live in a cold climate, seal all cracks around your appliance, and wherever cold air could enter the room, with noncombustible material. It is especially important to insulate the outside chase cavity between the studs and under the floor on which the appliance rests, if the floor is above ground level.

WARNING: Read all instructions completely and thoroughly before attempting installation. Failure to do so could result in serious injury, property damage or loss of life. Operation of improperly installed and maintained venting system could result in serious injury, property damage or loss of life.

WARNING: This appliance must be vented to the outside. The venting system must NEVER be attached to a chimney serving a separate solid fuel burning appliance. Each gas appliance must use a separate vent system. Do not use common vent systems.

WARNING: Do not pack the open air spaces with insulation or other materials. This could cause high temperatures and may present a fire hazard and serious injury, property damage or loss of life. Operation of improperly installed and maintained venting system could result in serious injury, property damage or loss of life.

NOTE: Failure to follow these instructions will void the warranty.

Part Overview

Read this homeowner manual thoroughly and follow all instructions carefully. Inspect all contents for shipping damage and immediately inform your authorized dealer if any damage is found. Do not install any damaged, incomplete, or substitute parts. Check your packing list to verify that all listed parts have been received.

AA BATTERIES
(4 PACK)



AAA BATTERIES
(3 PACK)



REMOTE



Venting

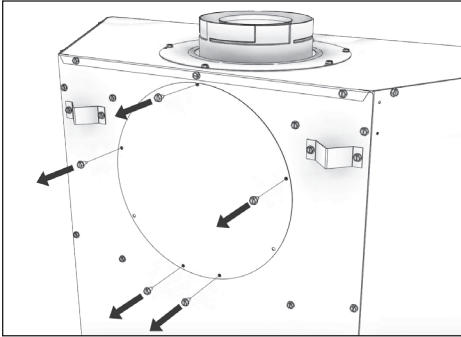
REAR VENT APPLICATION

There are outlets for both top and rear venting. The unused vent exit must have the cover plates in place, and the cover plates must be removed from the exit according to the instructions below to be used.

When removing and refitting the plates be sure the associated gaskets are undamaged and refitted as required. NOTE: All components removed from the top vent exit will be reinstated for the rear vent.

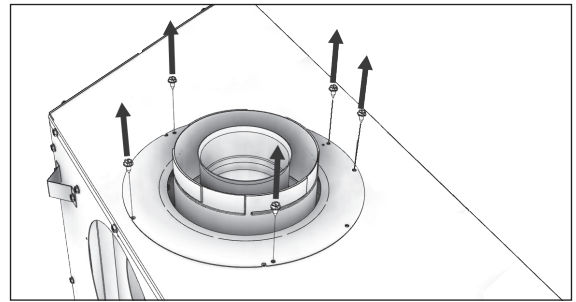
STEP 1

Remove the five (5) machine screws attaching the back cover plate to the rear of the appliance.



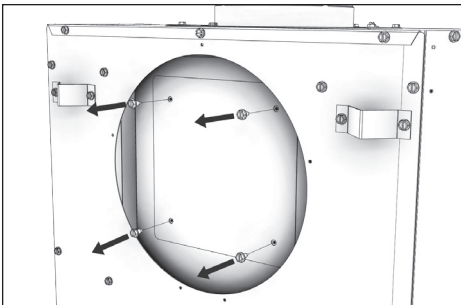
STEP 4

Remove the five (5) machine screws attaching the cover plate to the top of the appliance.



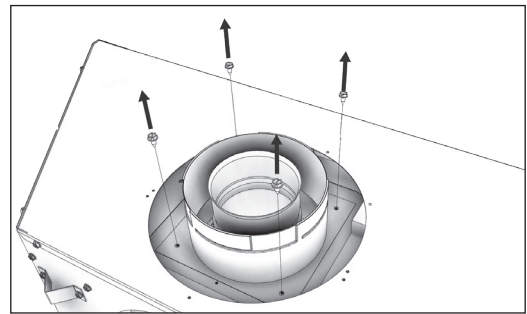
STEP 2

Remove the four (4) machine screws attaching the intake chamber cover plate to the intake chamber.



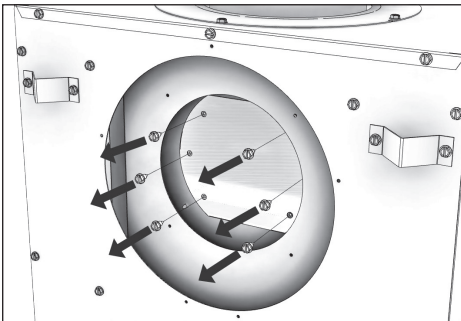
STEP 5

Remove the four (4) machine screws attaching the draft hood collar to the intake chamber.



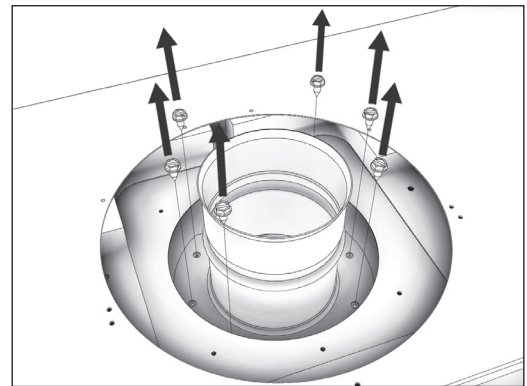
STEP 3

Remove the six (6) machine screws attaching the firebox exhaust cover to the firebox.



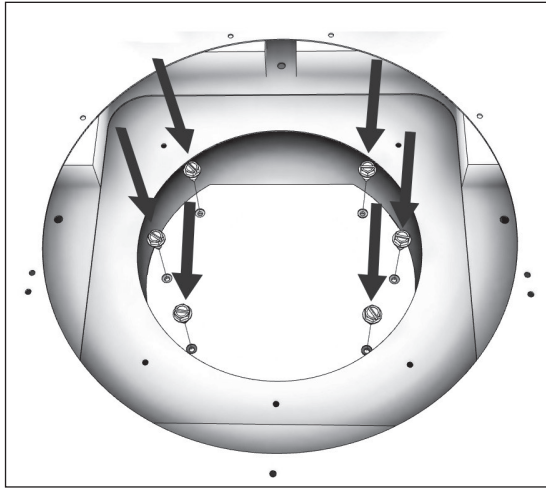
STEP 6

Remove the six (6) machine screws attaching the intake inner draft hood to the firebox inside top.



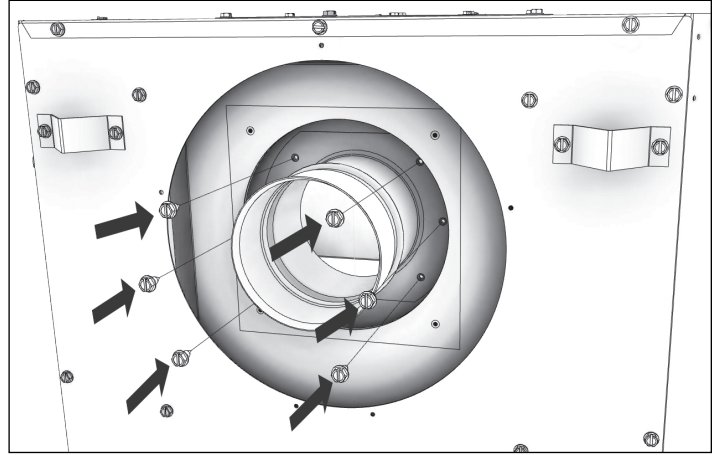
STEP 7

Attach the firebox exhaust cover to the firebox inside top using the previously removed six (6) machine screws.



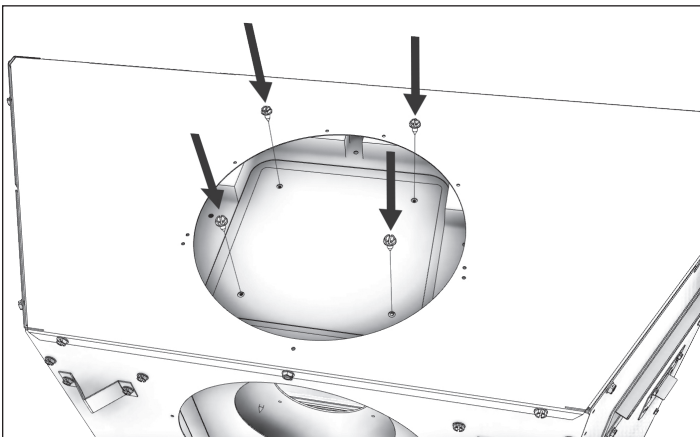
STEP 10

Attach the intake inner draft hood to the firebox back using the previously removed six (6) machine screws.



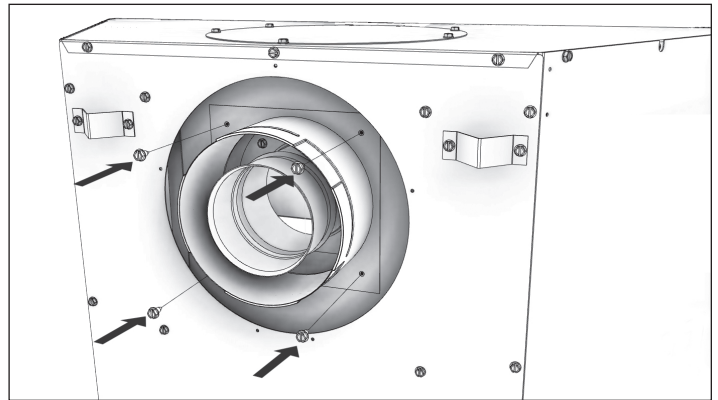
STEP 8

Attach the intake chamber cover plate to the intake chamber using the previously removed four (4) machine screws.



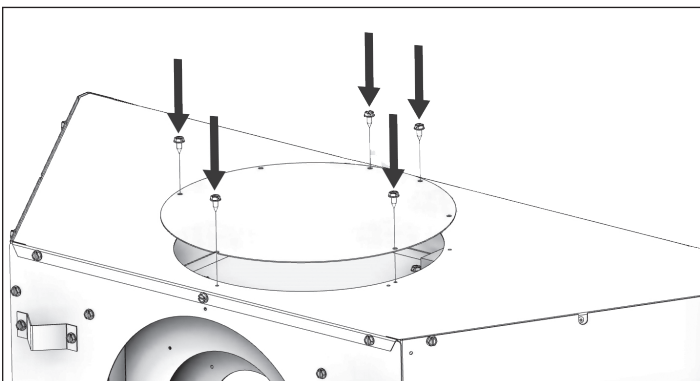
STEP 11

Attach the draft hood collar to the intake chamber using the previously removed four (4) machine screws.



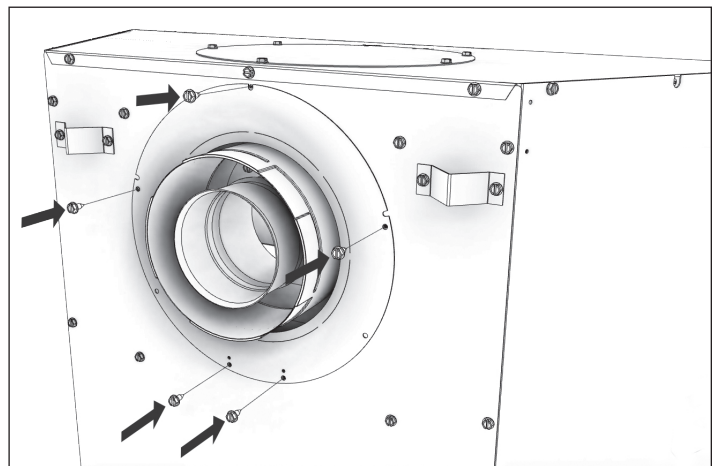
STEP 9

Attach the back cover plate to the top of the appliance using the previously removed five (5) machine screws.



STEP 12

Attach the cover plate to the outer back of the appliance using the previously removed five (5) machine screws.



APPROVED VENT SYSTEMS

DuraVent (DirectVent Pro)	46DVA-VC – Low Profile Cap	Vertical
	46 DVA-VCH – Hi Wind Cap	Vertical
	46 DVA-HC – Square High Wind Cap	Horizontal
Olympia Chimney (Ventis)	VDV-VCH04 – Round High Wind Cap	Vertical
	VDV-VCH4 – Round Cap	Vertical
	VDV-HC04 – Square High Wind Cap	Horizontal
BDM (Pro-Form)	DVR6-VCH Round High Wind Cap	Vertical
	DVR6-HC Square Cap	Horizontal
	DVR-HCP HCA Pyramid Termination Cap	Horizontal
Metal Fab	4DHT Square Cap	Horizontal
	4DVT Round Cap	Vertical
	4DST14 Snorkel	Horizontal

VENTING REQUIREMENTS

Consult the local and national installation codes to assure adequate combustion and ventilation air is available. Venting requirements apply to both natural gas and LP gas.

- Flame height and appearance will vary depending upon venting configuration and the type of fuel used.
- Refer to the vent manufacturer's installation manual for complete installation instructions. Vent installation must conform with venting requirements and restrictions as outlined in this manual.
- Provide a means for visually checking the vent connection to the appliance after it is installed.

VENT SECTION CLEARANCES

NOTE: Wall thimble products that comply with the required 1" (25 mm) clearance to combustibles must be installed for all horizontal vent runs that pass through interior or exterior walls. These wall thimble products may be insulated using unfaced insulation products listed as noncombustible per ASTM E 136.

NOTE: Attic insulation shields may be insulated using unfaced insulation products listed as noncombustible per ASTM E 136.

Vertical Pipe Section Clearances	
Surface	Sides
All Approved Venting	1" (25 mm)

Horizontal Pipe Section Clearances			
Surface	Top	Bottom	Sides
All Approved Venting	3" (76 mm)	1" (25 mm)	1" (25 mm)

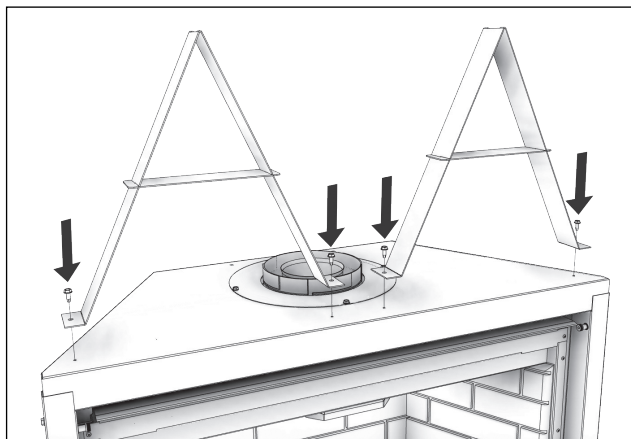
USE OF ELBOWS

- MAXIMUM NUMBER OF 90° ELBOWS: 4
- For each additional 90° elbow used after the first 90° elbow, 3 ft (91.4 cm) must be subtracted from maximum venting allowed.
- For each 45° elbow used, 1-1/2 ft (457 mm) must be subtracted from maximum venting allowed.
- (2) 45° degree elbows may be used in place of (1) 90° elbow.

Framing

WARNING: The top stand-offs provide the minimum clearance to the header. Use only non-combustible material in this area for the entire width of the appliance. DO NOT use wood, sheet-rock, etcetera, in this zone. Top stand-off brackets must be formed and attached prior to positioning into framed opening.

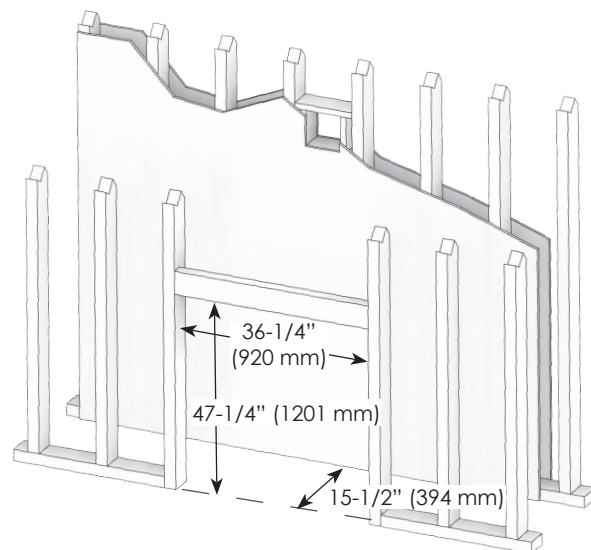
Attach the two stand-off assemblies to the top of the unit using four 10-32 X 1/2 screws as shown. NOTE: The two stand offs are located in the firebox. The four 10-32 X 1/2 screws are provided in the parts bag.



WALL ENCLOSURE ROUGH OPENING

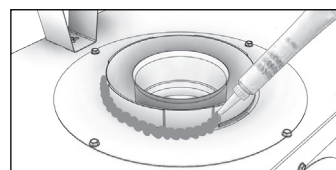
WARNING: Provide adequate clearances around air openings into the combustion chamber. Provide adequate clearance in front of the appliance for barrier removal, component access, gas line installation, service access, etc.

- Framing dimensions should allow for wall covering thickness and fireplace facing materials. If using a hearth, adjust the rough opening size as necessary to maintain minimum clearance requirements.
- If masonry is to be used (optional), prepare the necessary foundation for the masonry load. When masonry construction is to be used, a lintel must be used over the top of the fireplace to support the additional weight.



Minimum Clearances to Combustible Material		
From Appliance To	inches	mm
Top Stand-Offs	0	0
Left And Right Side Stand-Offs	0	0
Back Stand-Offs	0	0
Corners	1/4	6
Front	36	915
Top To Ceiling	51	1295
Sides To Adjacent Sidewall	6	153
Mantel 9 in (229 mm) deep, 10" (254 mm) from appliance top		

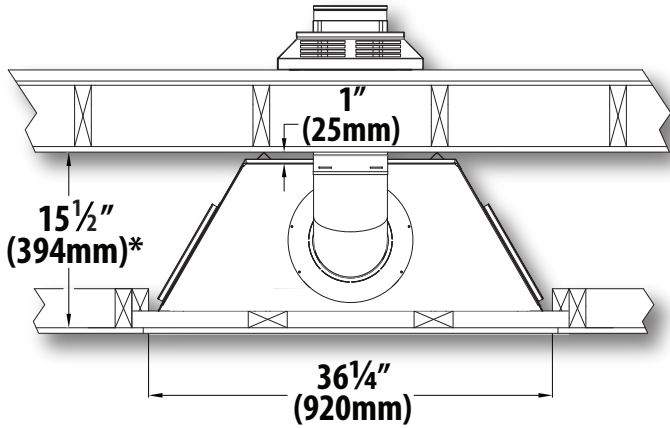
Apply a generous amount of high temperature sealant around the flue outlet.



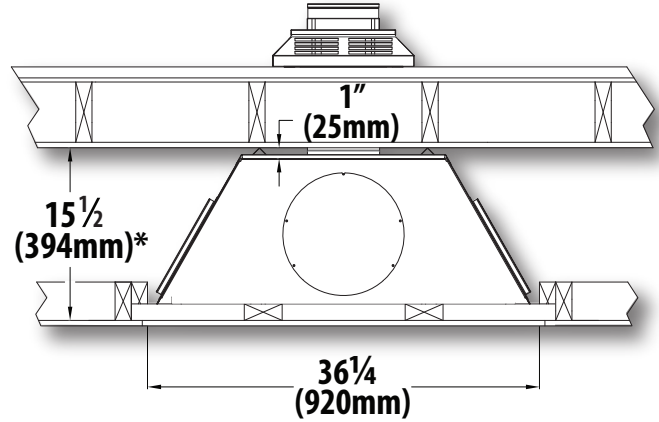
NOTE: Approved vent system elbows vary in vertical length. Consult vent manufacturer's instructions to determine the elbow dimension used for your installation. Adjust as necessary to maintain the required 1" (25mm) clearance from the vent pipe to combustible material.

**DIMENSION SHOWN WITH LISTED DURAVENT ELBOW.
**UNITS SHOWN WITHOUT STANDOFFS FOR CLARITY.

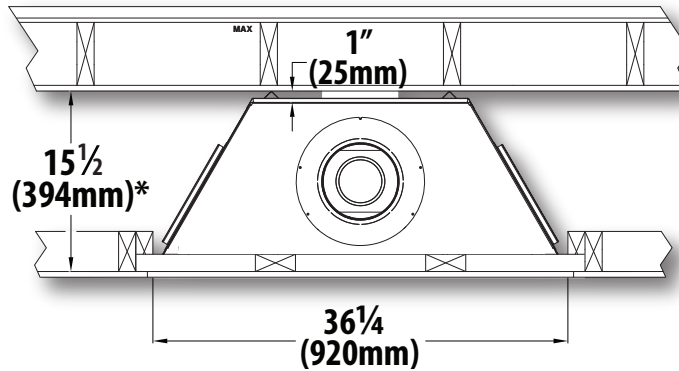
**TYPICAL HORIZONTAL INSTALLATION
TOP VENT**



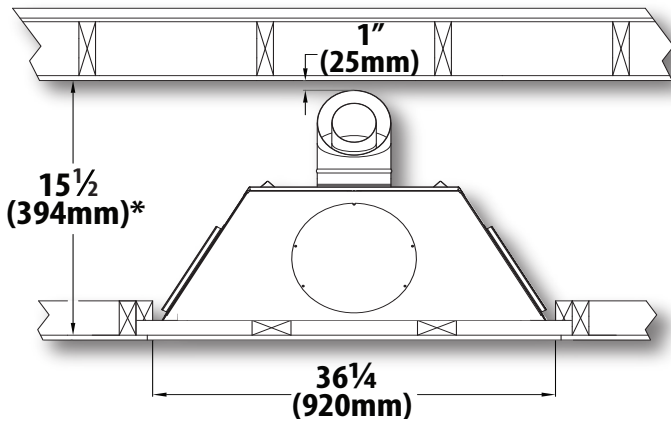
**TYPICAL HORIZONTAL INSTALLATION
REAR VENT**



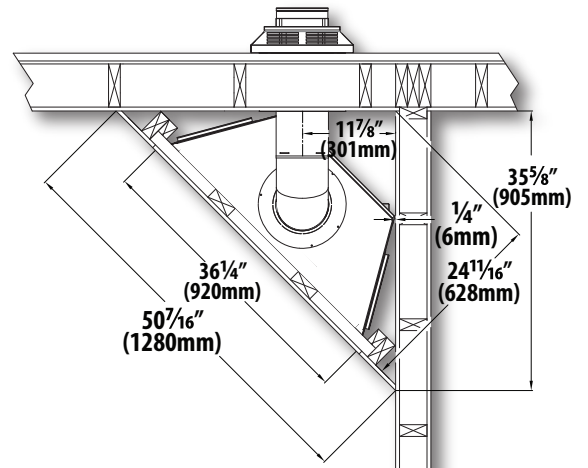
**TYPICAL VERTICAL INSTALLATION
TOP VENT**



**TYPICAL VERTICAL INSTALLATION
REAR VENT**



**TYPICAL CORNER INSTALLATION
TOP VENT**



FLOOR SUPPORT AND PROTECTION

WARNING: FIRE HAZARD: Do NOT install directly on carpeting, vinyl, or any other combustible material other than wood.

- If installed directly on carpeting, tile, or other combustible material other than wood flooring, this appliance shall be installed on a metal or wood panel extending the full width and depth of the appliance.
- If installed above floor level, a solid, continuous platform must be constructed below the appliance.
- Consider the height of hearth finish material (stone, brick, etc.) when building a platform. The bottom of the appliance must be level with finished hearth to allow for a proper fit of the safety barriers.
- Build the hearth to desired size and height. If a hearth extension is desired, combustible material may be used.

VENT TERMINATION FRAMING

NOTE: Vent cap location must be in compliance with the minimum termination clearance information listed in this manual.

WARNING: DO NOT RECESS THE VENT CAP INTO WALL OR SIDING.

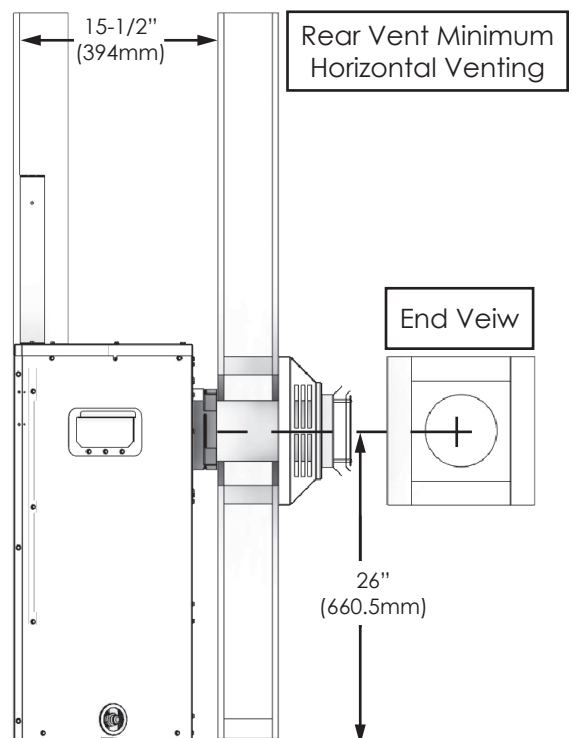
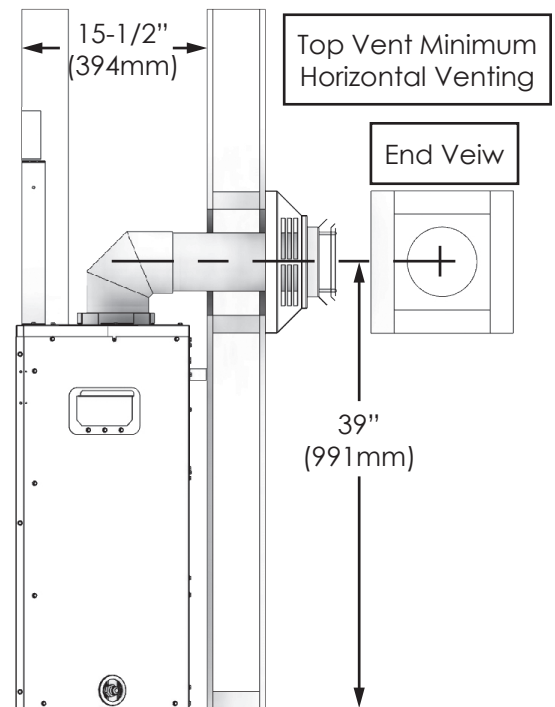
VERTICAL TERMINATIONS

WARNING: Cold air transfer area. The surround appliance chase must comply with all clearances as outlined in this manual, and be constructed in compliance with local building codes. Outside walls should be insulated to prevent cold air from entering room.

- Follow vent pipe manufacturer's installation instructions for vertical terminations.
- A minimum of 1" (25 mm) clearance on all sides of the vertical vent pipe must be maintained.
- Attic insulation shields may be insulated using unfaced insulation products listed as non-combustible per ASTM E 136. NOTE: Horizontal vent sections require 1/4 in (6 mm) rise for every 12 in (305 mm) of travel.

HORIZONTAL TERMINATIONS

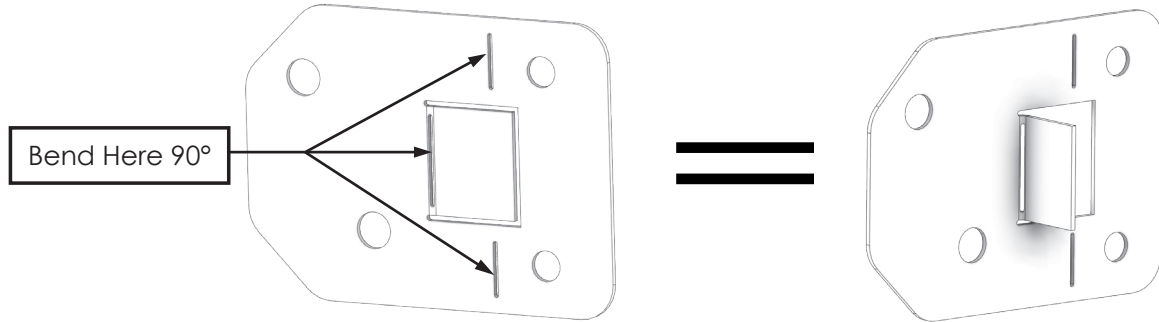
1. Measure from floor level of the appliance to the center of where the vent pipe will penetrate the wall. Elbows listed with approved vent systems will vary in vertical length. Please consult the vent manufacturer's instructions to determine the elbow dimension used for installation. Adjust the wall pass-through rough opening dimensions as necessary to maintain clearance requirements.
2. Cut and frame an opening in the wall to allow the vent system to run level through the wall pass-through.
3. Follow the vent pipe manufacturer's installation instructions for vent installation.



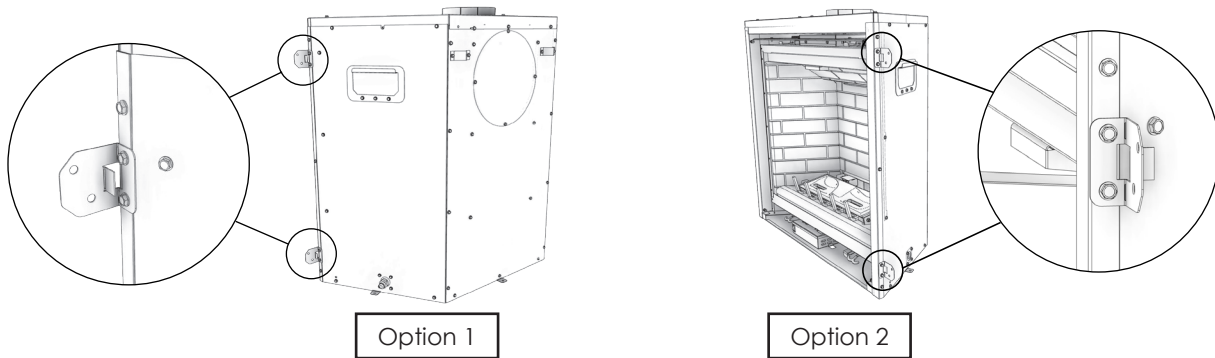
MOUNTING BRACKET ASSEMBLY AND INSTALLATION

WARNING: Never permanently remove these assemblies - they must be secured regardless of finish material used.

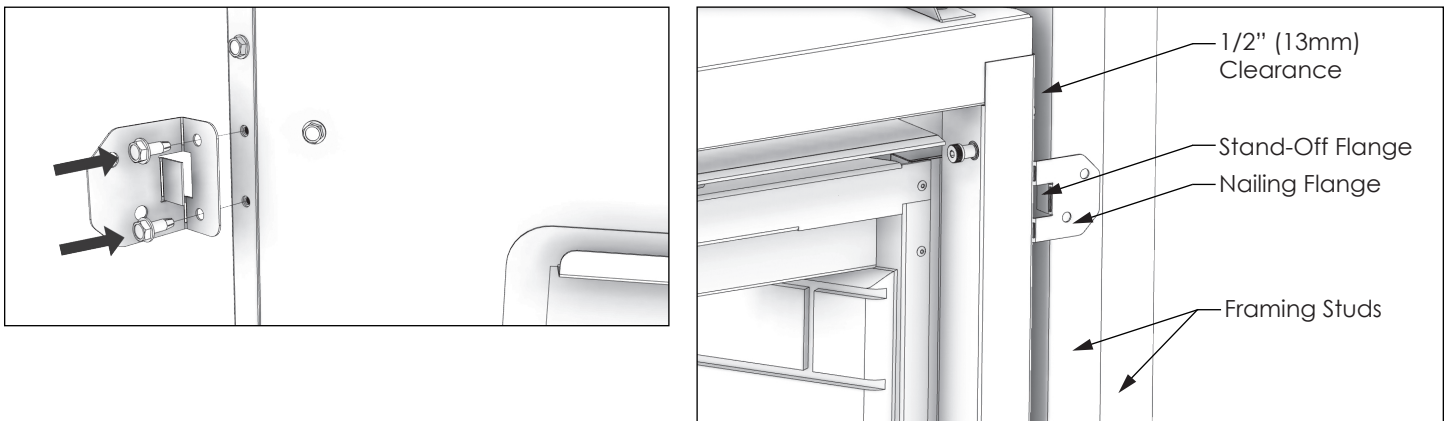
1. Bend mounting brackets up 90° at perforation as shown.



2. Depending on facing material, the lower half of the mounting bracket can be adjusted forward or backward 1/2" (13 mm) as needed.



3. Attach two (2) mounting brackets to each side of the unit.

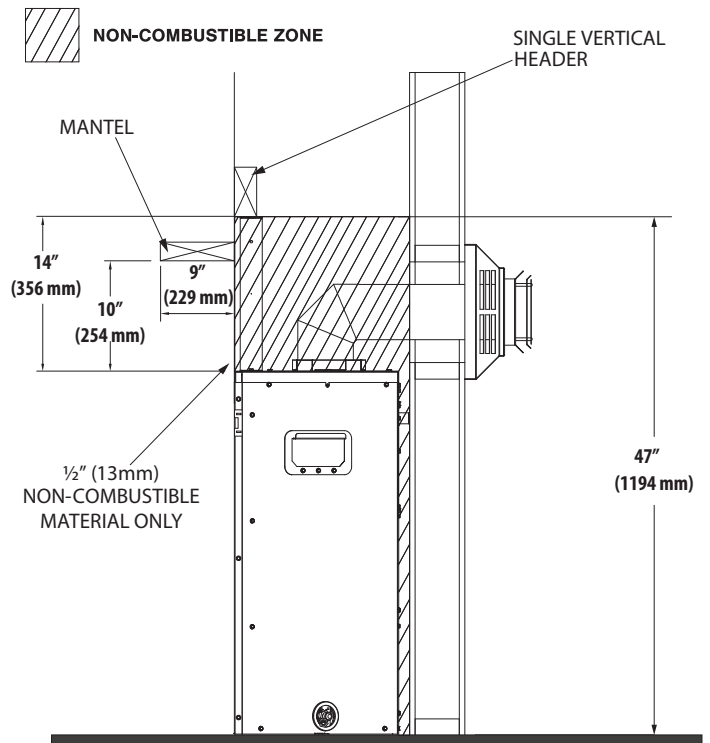


Mantel And Finishing Requirements

FINISHING RECOMMENDATIONS

The surface area above the appliance may be affected by emitted high temperatures. To help avoid or reduce the possibility of the sheetrock to crack the following methods are recommended:

- Ensure the non-combustible material and sheetrock is dry and dust free.
- For taping and mudding seams, we recommend heat resilient tape, mesh and joint compounds. Mud must be cured as per manufacturer's recommendations.
- For a painted surface, use a high quality acrylic latex primer and finish coat. Avoid flat or light-colored paints to prevent discoloring.



Gas Line Connection

GAS CONVERSION (SOLD SEPARATELY)

WARNING: The conversion shall be carried out in accordance with the requirements of the provincial authorities having jurisdiction and in accordance with the requirements of the ANSI Z223.1 installation code.

This appliance is manufactured for use with natural gas. Follow the instructions included with the conversion kit if converting to LP gas. The conversion kit shall be installed by a qualified service agency.

GAS LINE INSTALLATION

WARNING: Installation of the gas line must only be done by a qualified person in accordance with local building codes, if any. If not, follow ANSI 223.1. Commonwealth of Massachusetts installations must be done by a licensed plumber or gas fitter.

NOTE: The appliance and its individual shutoff valve must be disconnected from the gas supply piping system during any pressure testing of that system at pressures in excess of 1/2 psi (3.5 kPa). For test pressures equal to or less than 1/2 psi (3.5 kPa), the appliance must be isolated from the gas supply piping system by closing its individual manual shut-off valve.

A listed (and Commonwealth of Massachusetts approved) 1/2" (13 mm) tee handle manual shut-off valve and flexible gas connector are to be connected to the 1/2" (13 mm) control valve inlet. If substituting for these components, please consult local codes for compliance.

- This appliance is equipped with a 3/8" (10 mm) x 18" (457 mm) long flexible gas connector and manual shut-off valve.
- Run gas line into appliance. The gas line should be run to the point of connection where the shut-off valve and flexible gas line will connect.
- Do not run gas line in a manner that would obstruct fan operation.
- For high altitude installations, consult the local gas distributor or the authority having jurisdiction for proper rating methods.

Inlet Gas Supply Pressures		
Fuel	Minimum Pressure	Maximum Pressure
Natural Gas	5" WC (1.25 kPa)	10.5" WC (2.62 kPa)
LP Gas	12" WC (2.674 kPa)	14" WC (3.49 kPa)

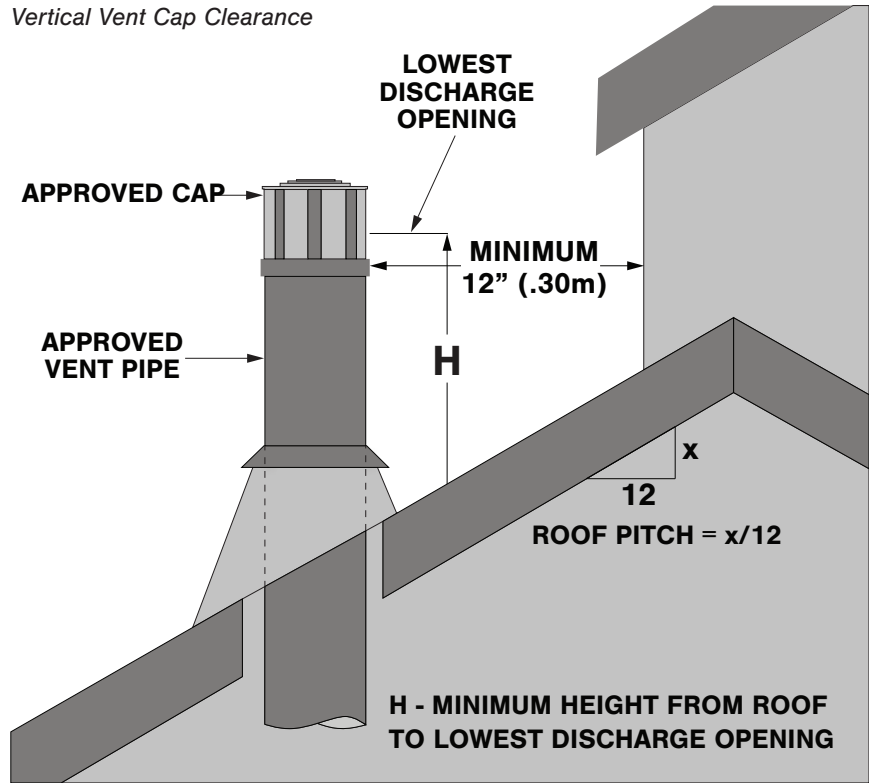
Termination Locations

VERTICAL VENT CAP TERMINATION

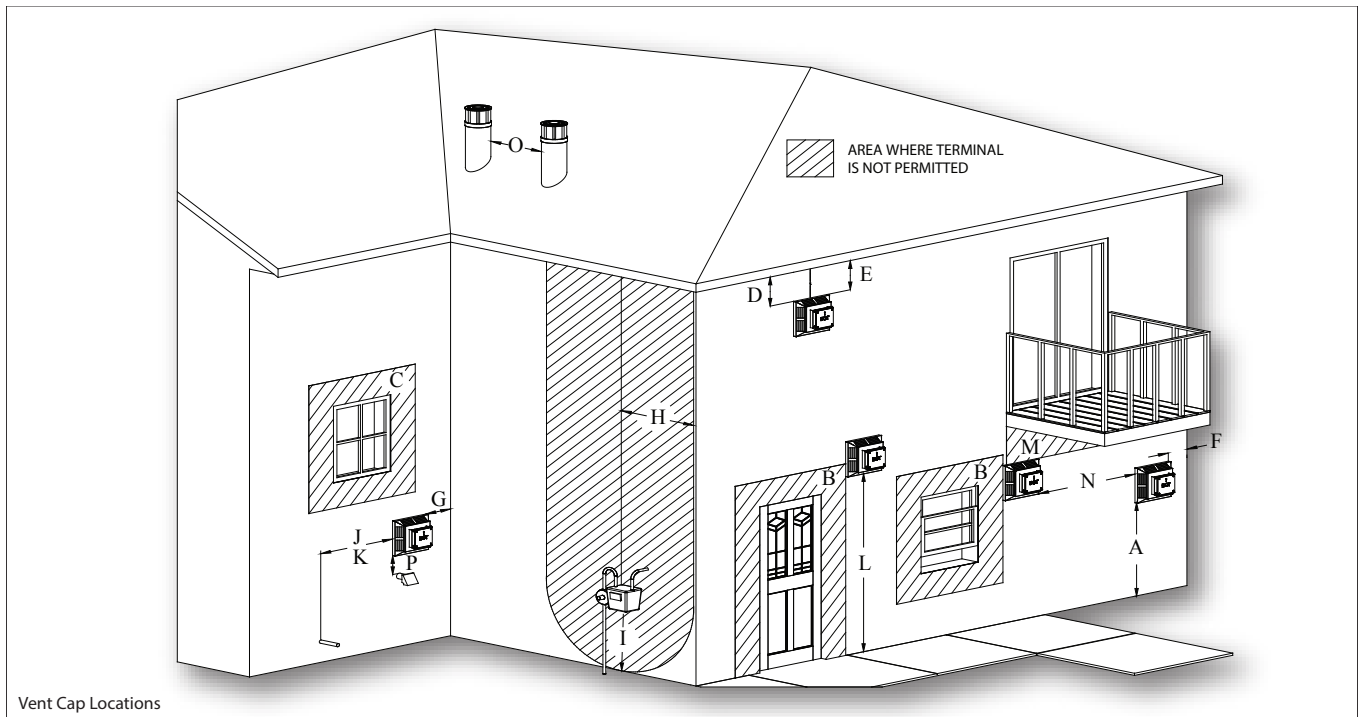
WARNING: This appliance must not share or be connected to a chimney flue serving a separate solid-fuel burning appliance.

Minimum Height (H) From Roof		
Roof Pitch	Feet	Meters
Flat to 6/12	1.0	0.30
Over 6/12 to 7/12	1.25	0.38
Over 7/12 to 8/12	1.5	0.46
Over 8/12 to 9/12	2.0	0.61
Over 9/12 to 10/12	2.5	0.76
Over 10/12 to 11/12	3.25	0.99
Over 11/12 to 12/12	4.0	1.22
Over 12/12 to 14/12	5.0	1.52
Over 14/12 to 16/12	6.0	1.83
Over 16/12 to 18/12	7.0	2.13
Over 18/12 to 20/12	7.5	2.27
Over 20/12 to 21/12	8.0	2.44

Vertical Vent Cap Clearance



MINIMUM TERMINATION CLEARANCES



		Canadian installations	US installations
A	Clearance above grade, veranda, porch, deck, or balcony	12 in (30 cm)	12 in (30 cm)
B	Clearance to window or door that may be opened	12 in (30 cm)	9 in (23 cm)
C	Clearance to permanently closed window (recommended to prevent condensation on window)	12 in (30 cm)*	12 in (30 cm)*
D	Vertical clearance to ventilated soffit located above the terminal within a horizontal distance of 2 feet (61 cm) from the cent line of the terminal	24 in (61 cm)*	24 in (61 cm)*
E	Clearance to unventilated soffit	12 in (30 cm)*	12 in (30 cm)*
F	Clearance to outside corner	0 in (0 cm)*	0 in (0 cm)*
G	Clearance to inside corner**	12 in (30 cm)*	12 in (30 cm)
H	Clearance to each side of center line extended above meter/regulator assembly	3 ft (91 cm) within a height 15 ft (4.5 m) above the meter/ regulator assembly	*
I	Clearance to service regulator vent outlet	3 ft (91 cm)	*
J	Clearance to non mechanical air supply inlet to building or the combustion air inlet to any other appliance	12 in (30 cm)	9 in (23 cm)
K	Clearance to mechanical air supply inlet	6 ft (1.83 m)	3 ft (91 cm) above if within 10 ft (3 m) horizontally Massachusetts: 10 ft (3 m)
L	Clearance above paved sidewalk or paved driveway located on public property	7 ft (2.13 m)†	*
M	Clearance under veranda, porch deck, or balcony	12 in (30 cm)‡	12 in (30 cm)
N	Clearance between two horizontal terminations	12 in (30 cm)	12 in (30 cm)
O	Clearance between two vertical terminations (may be same height)	12 in (30 cm)	12 in (30 cm)
P	Above furnace exhaust or inlet	12 in (30 cm)	12 in (30 cm)

* Clearance in accordance with local installation codes and the requirements of the gas supplier.

** LISTED SNORKEL TERMINATION CAPS REQUIRE 24 in (61cm) CLEARANCE TO AN INSIDE CORNER

† A vent shall not terminate directly above a sidewalk or paved driveway that is located between two single family dwellings and serves both dwellings.

‡ Permitted only if veranda, porch, deck, or balcony is fully open on a minimum of two sides beneath the floor.

VINYL SOFFIT, VINYL CEILING, AND VINYL OVERHANG DISCLAIMER: Clearances to heat resistant material (i.e. wood, metal). This does not include vinyl. Hussong Manufacturing Co., Inc. will not be held responsible for heat damage caused from terminating under vinyl overhangs, vinyl ceilings, or vinyl ventilated/unventilated soffits.

Top Vent (Vertical Only)

WARNING: Improper vent installation may cause the burner flames to lift or “ghost.” Perform a visual check on flame appearance after restrictor adjustment to ensure proper performance.

RESTRICTOR ADJUSTMENT

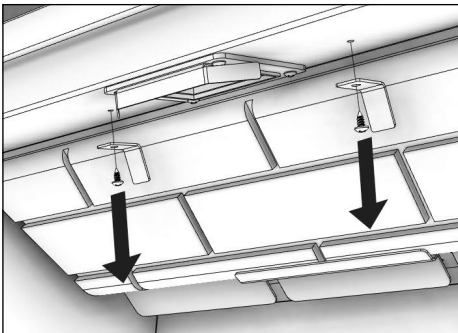
Adjust the restrictor to achieve the desired flame appearance on any top venting configuration with 6 ft (1.83 m) of vertical pipe or more. Vertical terminations may display an active, compact flame. If this appearance is not desirable, the restrictor may need to be adjusted. Allow 15 minutes minimum of burn time before making any adjustments. Adjust the restrictor as shown in this manual. **NOTE:** Steps one and two are only required if adjustments to the restrictor are needed after the appliance has been installed.

Restrictor Adjustment Guidelines		
Flame Appearance	Draft Problem	Solution
Short, flickering	Excessive draft or not enough restriction	Adjust restrictor plate to close more
Lifting or ghosting*	Insufficient draft	Adjust restrictor plate to open more
*If flames continue to lift or ghost after opening the restrictor and verifying correct vent installation, shut off the gas supply and call a qualified service technician.		

WARNING: To avoid property damage or personal injury, allow ample time to cool before making any adjustments.

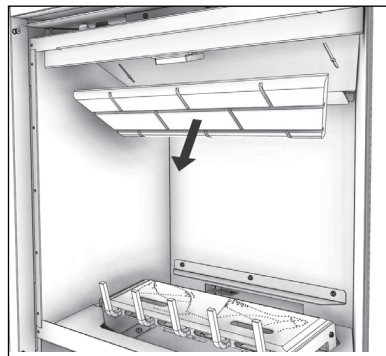
STEP 1

Remove the two middle panel brackets.



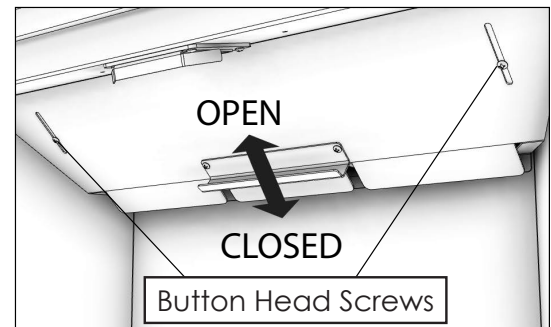
STEP 2

Remove the top brick panel.



STEP 3

Slightly loosen the two button head screws and adjust the restrictor as shown.



Top Venting

WARNING: Horizontal vent sections require 1/4" (6 mm) rise for every 12" (305 mm) of travel.

VERTICAL TERMINATIONS

NG/LPG - Minimum / Maximum Vertical Terminations			
Minimum Vertical Length		Max Vertical Length	
6 ft	1.83 m	40 ft	12.2 m

COMBINATION VENTING

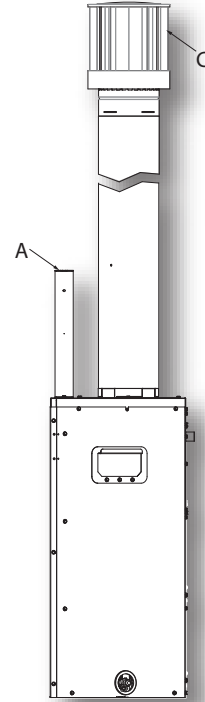
NG/LPG - Minimum Horizontal Vent Terminations				
Min. Vertical Venting	Min. Horizontal Run (HMIN)		Max Horizontal Run (HMIN)	
90° elbow	6"	152 mm	4 ft	1.22 m

NG/LPG - Max Vertical / Max Horizontal Combination					
Max Vertical Rise		Max Horizontal Run		Total Length	
10 ft	3.1 m	20 ft	6.1 m	30 ft	9.2 m
Maximum number of 90° elbows: 4					

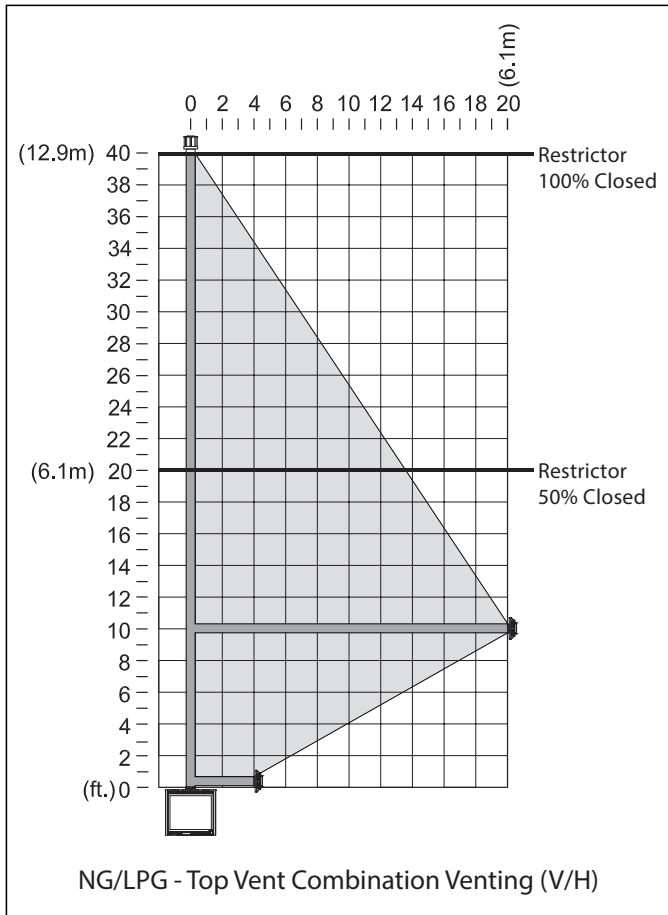
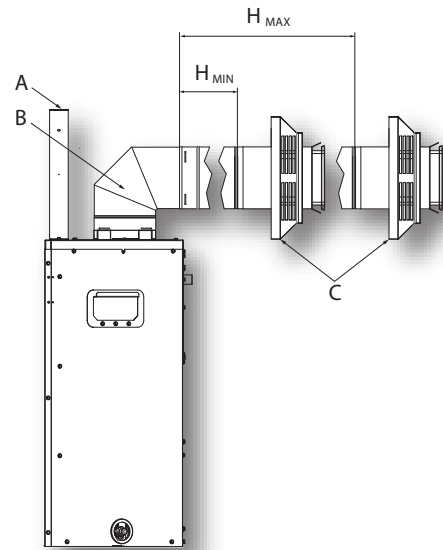
TOP VENTING DIAGRAM (VERTICAL & HORIZONTAL TERMINATIONS)

- (A) Stand-off Brackets
- (B) 90° Elbow
- (C) Termination Cap

NG/LPG - 6ft (1.83m) MIN / 40ft (12.2m) MAX



NG/LPG - 90° ELBOW + 6" (152mm) H_{MIN} / 4ft (1.3m) H_{MAX}



Rear Venting

WARNING: Horizontal vent sections require 1/4" (6 mm) rise for every 12" (305 mm) of travel.

NATURAL GAS INSTALLATIONS

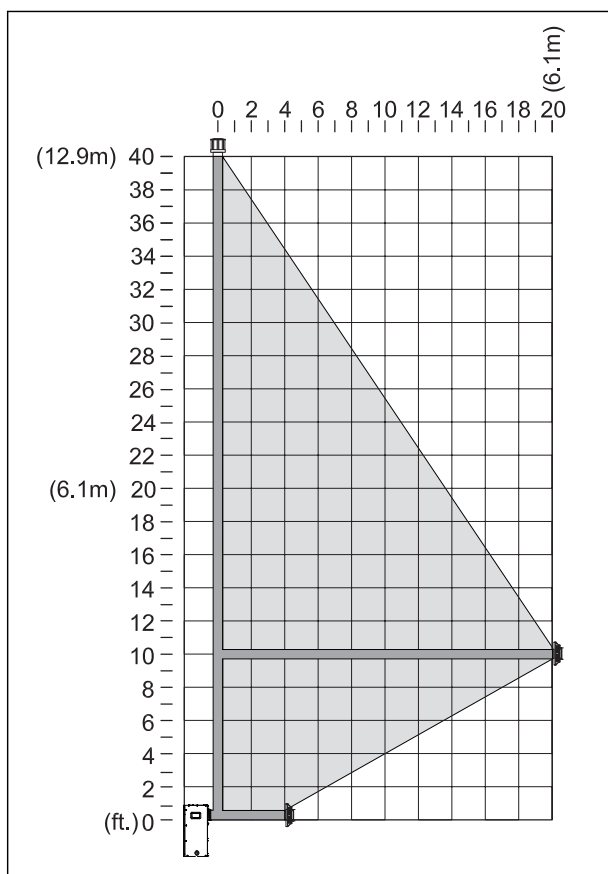
NG - Minimum / Maximum Horizontal Venting			
Minimum Horizontal Length (HMIN)		Maximum Horizontal Length (HMAX)	
6"	152 mm	48"	1219 mm

HORIZONTAL TERMINATIONS

NG - Minimum / Maximum Vertical Terminations				
Horizontal to Vertical Venting	Minimum Vertical Length		Maximum Vertical Length	
90° elbow	6 ft	1.83 m	40 ft	12.2 m

COMBINATION VENTING

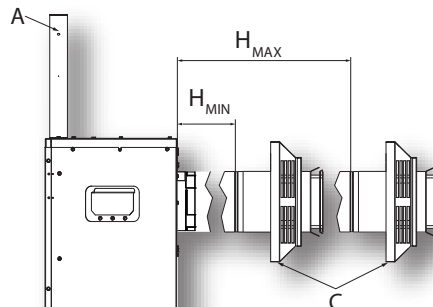
NG - Max Vertical / Max Horizontal Combination					
Maximum Vertical Rise		Maximum Horizontal Run		Total Length	
10 ft	3.1 m	20 ft	6.1 m	30 ft	9.2 m
Maximum number of 90° elbows: 4					



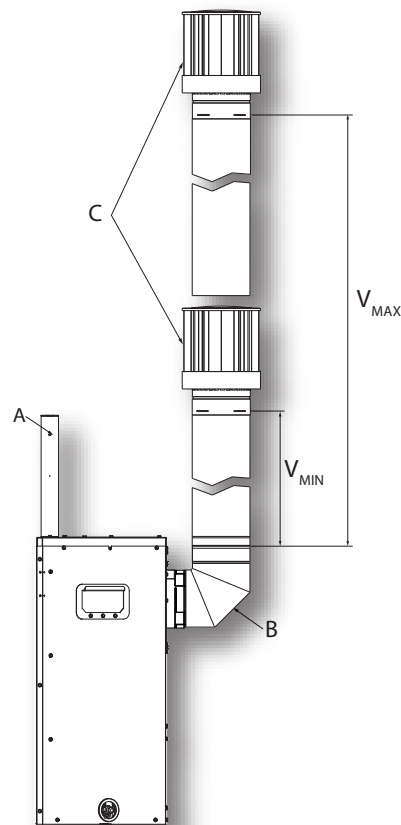
REAR VENTING DIAGRAM (VERTICAL & HORIZONTAL TERMINATIONS)

- (A) Stand-off Brackets
- (B) 90° Elbow
- (C) Termination Cap

NG - 6" (152mm) H_{MIN} / 48" (1219mm) H_{MAX}



NG - 90° ELBOW + 6ft (9.2m) V_{MIN} / 40ft (12.2m) V_{MAX}



LP GAS INSTALLATIONS

WARNING: Horizontal vent sections require 1/4" (6 mm) rise for every 12" (305 mm) of travel.

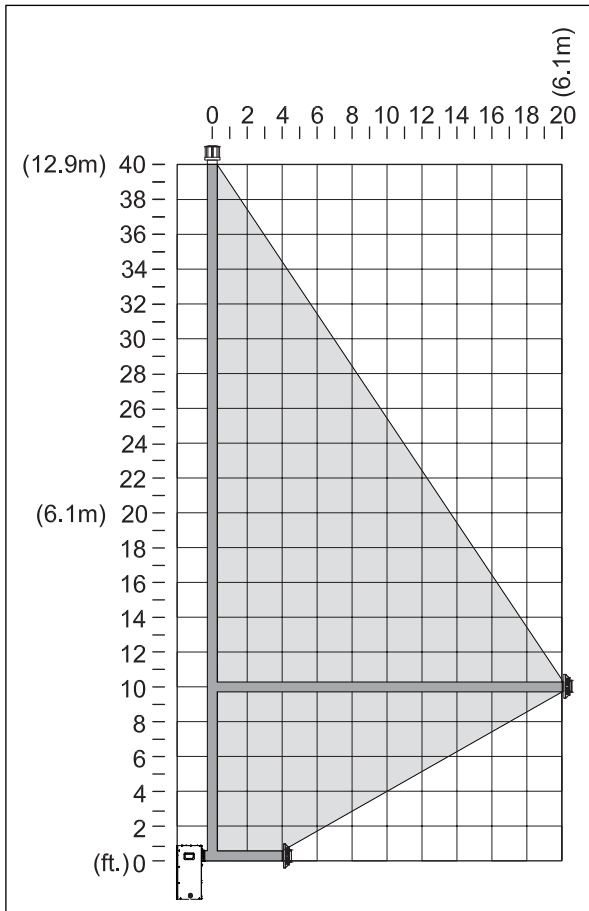
HORIZONTAL TERMINATIONS

LPG - Minimum / Maximum Horizontal Venting			
Minimum Horizontal Length (HMIN)		Maximum Horizontal Length (HMAX)	
6"	152 mm	4 ft	1.3 m

COMBINATION VENTING

LPG - Minimum / Maximum Vertical Terminations				
Horizontal to Vertical Venting	Minimum Vertical Length		Maximum Vertical Length	
90° elbow	3 ft	914 mm	40 ft	12.2 m

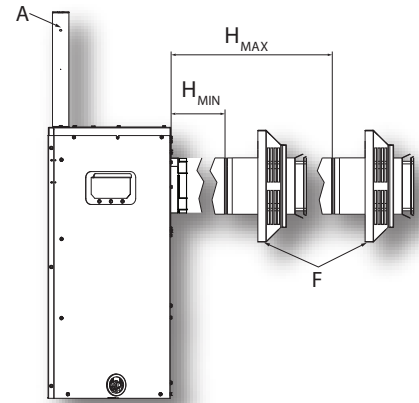
LPG - Max Vertical / Max Horizontal Combination					
Maximum Vertical Rise		Maximum Horizontal Run		Total Length	
10 ft	3.1 m	20 ft	6.1 m	30 ft	9.2 m
Maximum number of 90° elbows: 5					



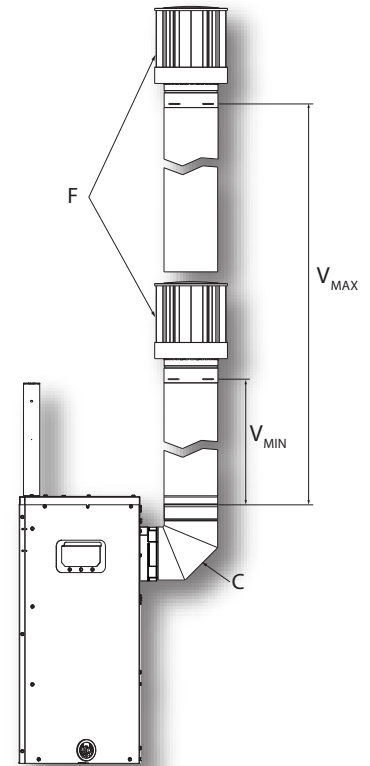
REAR VENTING DIAGRAM (VERTICAL & HORIZONTAL TERMINATIONS)

- (A) Stand-off Brackets
- (B) Stand-off Heat Shields
- (C) 90° Elbow
- (D) Vertical Vent Heat Shield (not applicable)
- (E) Horizontal Vent Heat Shield (not applicable)
- (F) Termination Cap

LPG - 6" (152mm) H_{MIN} / 4ft (1.3m) H_{MAX}



LPG - 90° ELBOW + 3ft (914mm) V_{MIN} / 40ft (12.2m) V_{MAX}



Log And Liner Installation

WARNING: Do not place logs directly over burner port holes. Improper log placement may affect flame appearance and cause excessive soot to build upon the logs and glass.

- If converting to LP (propane) gas, complete the conversion before installing the log set. Follow the conversion instructions included with the kit.
- Refer to the instruction sheets provided with your log and liner set for proper installation.

Only log and liner sets certified with the appliance shall be used. NOTE: This appliance should not be burned without the approved logs and/or liners properly installed. Use without the logs and/or liners properly installed could cause damage to the appliance.

Certified Log Set
892915 - Riverside
892916 - Timber Ridge

Certified Liner Set
892917 - Aged Red
892918 - Black Tie
892919 - Baker Street
892930 - Frisco Ledgestone

Setup

GLASS FRAME ASSEMBLY

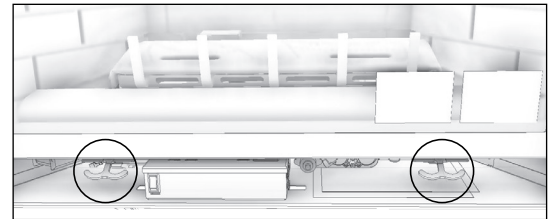
WARNING: Do not operate with the glass removed, cracked, or broken. Replacement of the glass assembly, should be done by a licensed or qualified service person.

WARNING: Use only authorized parts and materials when replacing defective or damaged glass.

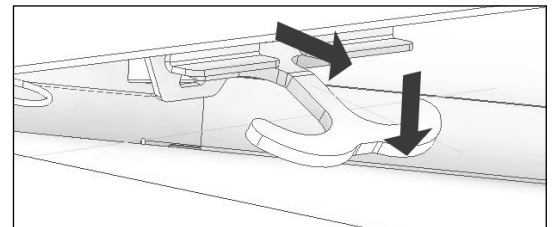
REMOVE GLASS FRAME ASSEMBLY

WARNING: Do not remove the glass assembly when hot.

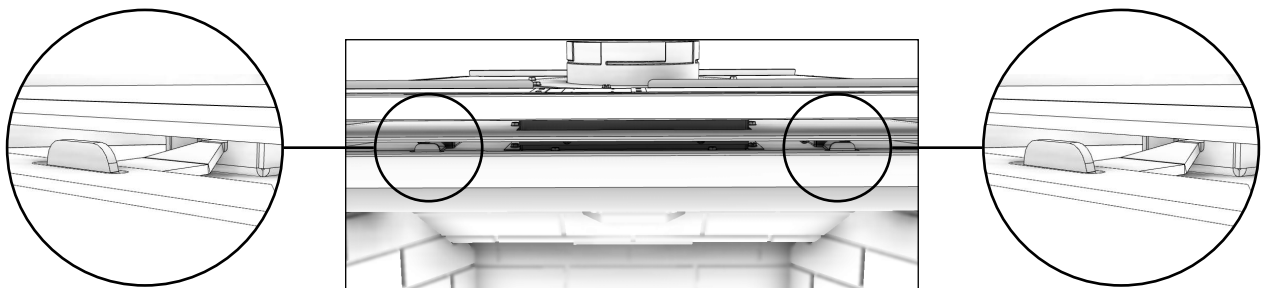
1. Locate (2) spring-loaded latches securing the glass assembly at the bottom of the firebox.



2. Pull the spring-loaded latches out and down to release the bottom of the glass assembly.



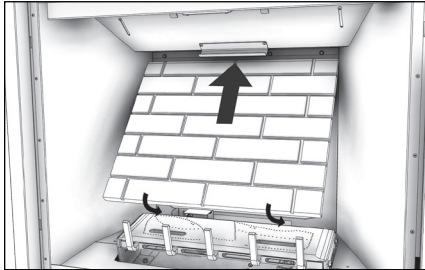
3. Lift the glass assembly up and off of the (2) tabs located at the top of the firebox.



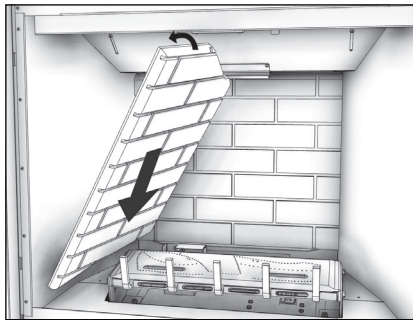
Liner Set Installation Instruction Sheet

Your components may look slightly different than the ones shown.

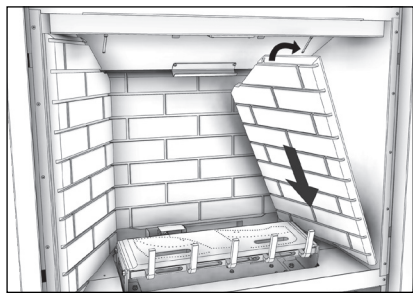
1. To insert the rear liner tilt the top towards the back of the unit and slide into position. There is a ledge for the bottom of the rear liner to rest on. Note: The liners will have a tight fit.



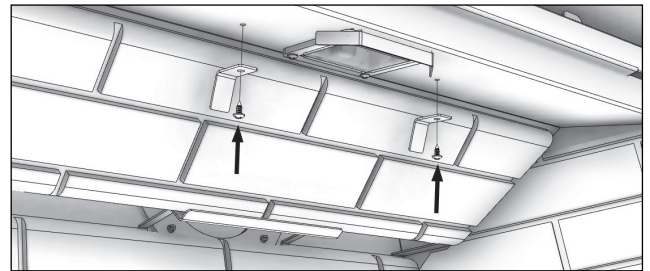
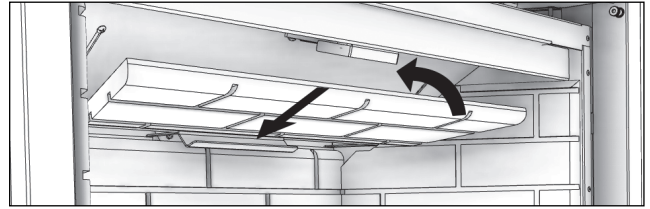
2. Next slide the left side liner into position (bottom first).



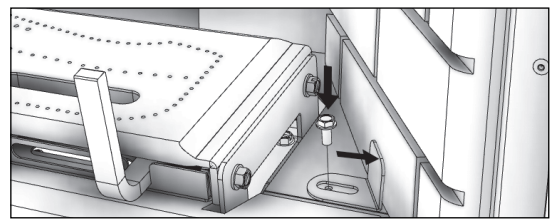
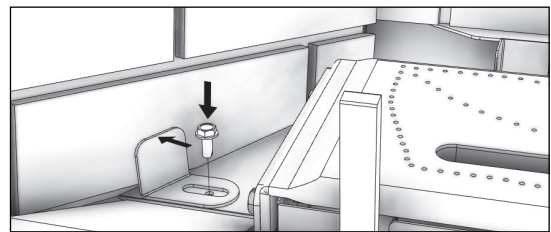
3. Slide the right side liner into position (bottom first).



4. Place the back end of the top liner onto the top liner bracket. Secure the top liner into place by tightening the two (2) top liner brackets. Important: Before installing the top liner refer to the "restrictor adjustment" section of the owner's manual.



5. Secure the left and right side liners into place by adjusting and tightening the right and left liner bracket.



Log Set Installation Instruction Sheet

If converting to LP (propane) gas, complete the conversion before installing the log set. Follow the conversion instructions included with the kit. Your components may look slightly different than the ones shown. Ensure the brick panels are installed properly before installing the log set.

CAUTION:

DO NOT PLACE LOGS DIRECTLY OVER BURNER PORT HOLES. IMPROPER LOG PLACEMENT MAY AFFECT FLAME APPEARANCE AND CAUSE EXCESSIVE SOOT TO BUILD UPON THE LOGS AND GLASS.

1. Place the ember bed onto the floor of the fireplace. Align the ember bed slots with the burner brackets.



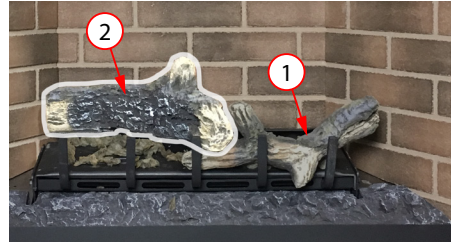
2. Break up the glowing wool into small dime sized pieces or for a finer finish use a metal wire brush. Do not cover the two oval air channels with the glowing wool.



3. Place log (1) onto the burner. Align the flat spots on the log with the burner grate.



4. Place the log (2) onto the burner. The front of the log will rest on log (1) as shown.



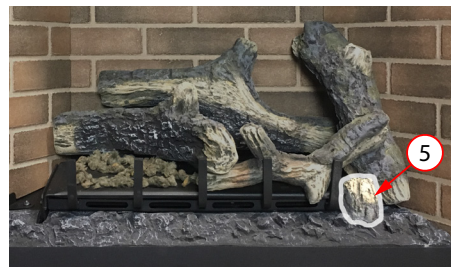
5. Place log (3) onto the back of the burner. Allow it to rest on top of log (2).



6. Place log (4) behind log (1) and rest log (4) against the back wall.



7. Place log (5) onto the ember bed. When it is in place the front right edge of the burner will be hidden.



8. Place log (6) onto the burner. Align the flat spots of the log with the burner grate.



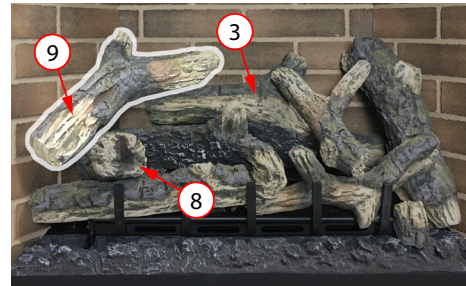
9. Place log (7) onto log (1). Log (7) will rest on log (3) as shown.



10. Place log (8) on top of log (6). The back of log (8) will rest in the rear left corner of the firebox.



11. Place log (9) on top of log (8). Log (9) will rest on log (3) as shown.



LOG 1



LOG 2



LOG 3



LOG 4



LOG 5



LOG 6



LOG 7



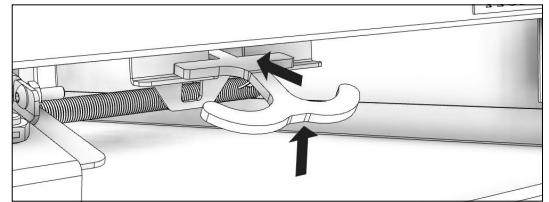
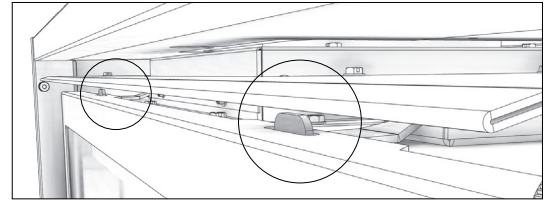
LOG 8



LOG 9

INSTALL GLASS FRAME ASSEMBLY

1. Align the slots on top of the glass assembly over the tabs at the top of the firebox while lowering the bottom of the glass assembly into position. NOTE: The glass may have to be tilted in order for the latches to properly hook onto the glass.
2. Pull the spring-loaded latches out and up to secure the bottom of glass to the bottom of the appliance.



Safety Barrier Information

WARNING: A barrier designed to reduce the risk of burns from the hot viewing glass is provided with this appliance and shall be installed for the protection of children and other at-risk individuals. If the barrier becomes damaged, the barrier shall be replaced with the manufacturer's barrier for this appliance. Only doors certified with the appliance shall be used.

Certified Safety Barrier

610808 - Artisan Front Assy.

618011 - 5" Front Assy.

WARNING: Consider the height of hearth finish material when building a platform. Proper installation of safety barriers with an overlap fit design require the bottom of the appliance to be level with finished hearth. For installation instructions refer to "Safety Barrier Installations".

WARNING: If burner and/or pilot have been burning, use appropriate protection to avoid burns or damage to personal property before removing any components.

WARNING: Check all gas connections for leaks with soapy water, whether field or factory made.

Electrical Information

ELECTRICAL SPECIFICATIONS

This appliance, when installed, must be electrically grounded in accordance with local codes, or in the absence of local codes, with the National Electrical Code, ANSI/NFPA 70, or the Canadian Electrical Code, CSA C22.1.

WIRING REQUIREMENTS

- The Ignition Module requires 120V of electricity and/or batteries to operate.
- Using the battery back-up will operate the burner only.
- Optional fan and light components will not function on battery back up power.

WARNING: Do not use if any part has been under water. Immediately call a qualified service technician to inspect and if needed replace any part of the control system and any gas control which has been under water.

WARNING: Electrical Grounding Instructions: This appliance is equipped with a three-prong (grounding) plug for your protection against shock hazard and should be plugged directly into a properly grounded three-prong receptacle. Do not cut or remove the grounding prong from this plug.

Front Installation Instruction Sheet

SAFETY BARRIER INFORMATION

WARNING:

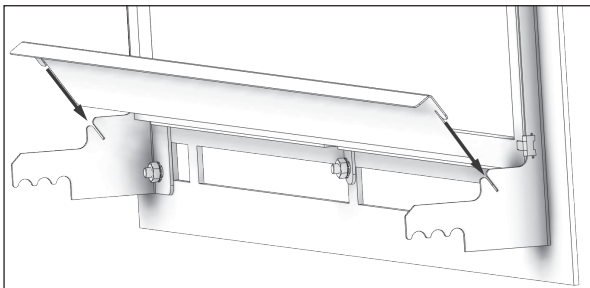
A BARRIER DESIGNED TO REDUCE THE RISK OF BURNS FROM THE HOT VIEWING GLASS IS PROVIDED WITH THIS APPLIANCE AND SHALL BE INSTALLED FOR THE PROTECTION OF CHILDREN AND OTHER AT-RISK INDIVIDUALS. IF THE BARRIER BECOMES DAMAGED, THE BARRIER SHALL BE REPLACED WITH THE MANUFACTURER'S BARRIER FOR THIS APPLIANCE. ONLY DOORS CERTIFIED WITH THE APPLIANCE SHALL BE USED.

IMPORTANT:

CONSIDER THE HEIGHT OF HEARTH FINISH MATERIAL WHEN BUILDING A PLATFORM. PROPER INSTALLATION OF SAFETY BARRIERS WITH AN OVERLAP FIT DESIGN REQUIRE THE BOTTOM OF THE FIREPLACE TO BE LEVEL WITH FINISHED HEARTH.

Do not operate this fireplace without a safety barrier. Only safety barriers certified with the appliance shall be used.

1. Insert the view cover into the slots on the bottom arms of the safety barrier.

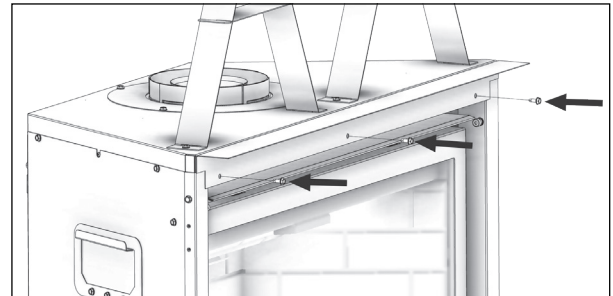


2. Locate the top trim piece, align the top trim flush with the top of the unit. Use three (3)#10 X 1/2 self drilling screws to secure into place. NOTE: The top trim piece is longer than the two side trim pieces.

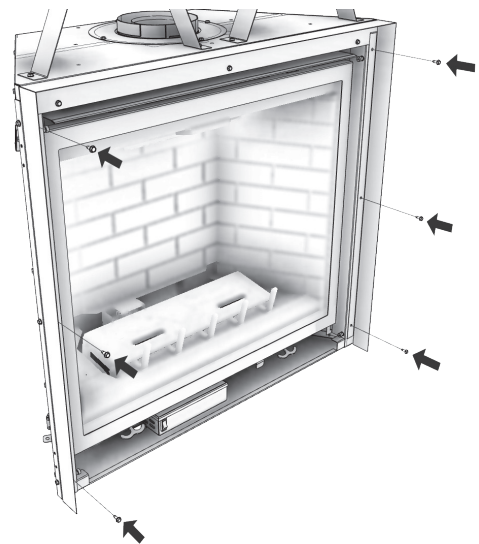
Top Trim X 1



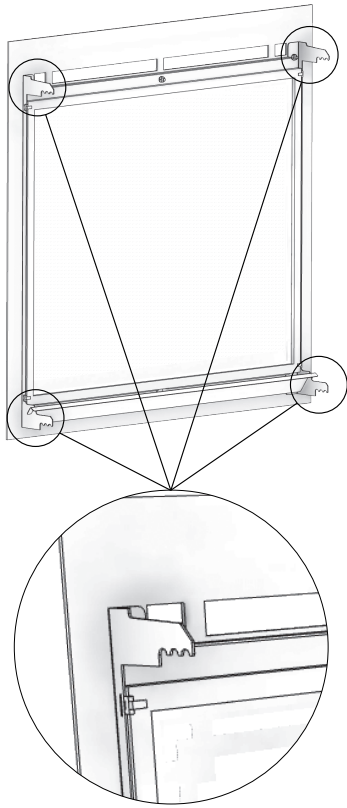
Side Trim X 2



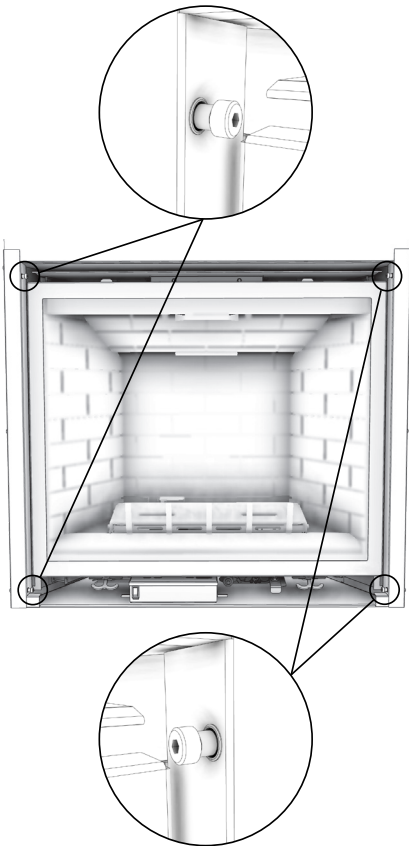
3. Align the side trim flush with the side of the unit as shown and secure with three (3)#10 X 1/2 self drilling screws. Repeat this step for the other side of the unit



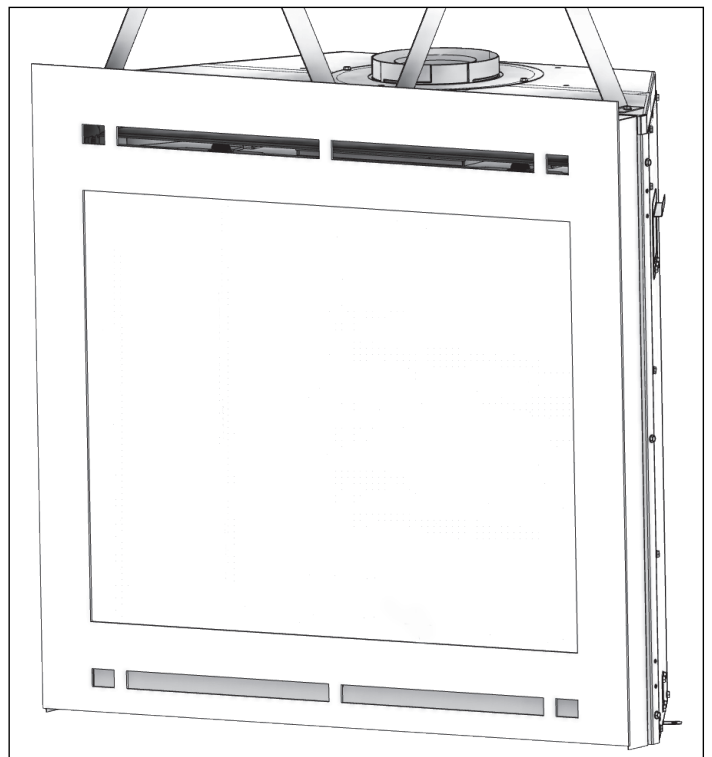
4. Locate the four arms of the safety barrier as shown.

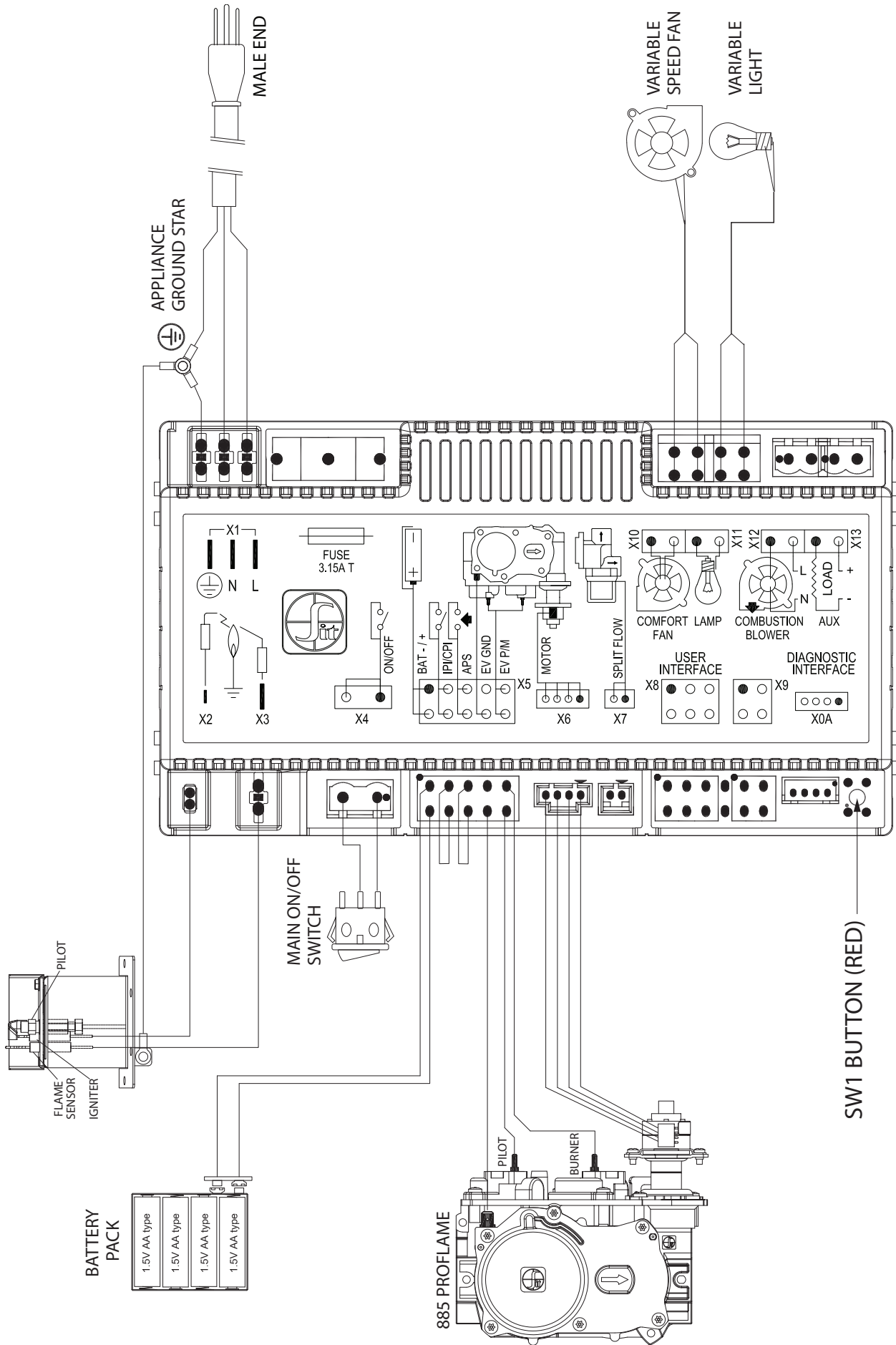


5. Locate the four shoulder bolts on the front opening of the unit as shown.



6. Rest the four arms of the safety barrier on the four shoulder bolts. Depending on the facing material the arm will rest in one of three positions. When placing the safety barrier onto the unit, make sure all four arms are resting in the same slot position. After the safety barrier is resting securely on the shoulder bolts in the correct position, slide the safety barrier to the left or right as needed until it is centered on the unit.





Wiring Schematics

Replacement Parts And Service

OVER FIRING OF BURNER

Never "over fire" adjusting gas pressure or drilling out the orifice to increase Btu/hr above nameplate specifications. Over firing can cause permanent damage to firebox and deterioration of parts and void warranty.

MAINTAINING CORRECT PILOT-FLAME

The pilot flame must be checked during initial installation and annually by a qualified technician. This appliance uses flame rectification technology. If the pilot flame is turned down too low, the flame sensor may not detect the pilot flame and the pilot may not stay lit. Do not turn down the pilot flame. The flame sensor rod may be coated with debris after a few months of use. It is important to clean the flame sensor rod using emery cloth if flame rectification problems are encountered after use for a few months. Environmental factors beyond the control of Breckwell can cause flame rectification concerns.

HOW TO ACCESS COMPONENTS

The descriptions below show where the main components are located and how to access them for service. The descriptions show how to access the components after the installation. All components are also accessible from the outside of the appliance before the it is installed.

Pilot: The pilot is in the back left corner of the firebox behind the burner.

Gas Valve: The main gas valve is located in the bottom cavity of the firebox.

Complete Valve Assembly: To make working on components easier, this appliance has been designed with the valve, pilot, shutter boxes, shutter cables and gas lines as part of one assemble that can be removed.

Ignition Control Module: The ignition control module is mounted in the lower cavity in front of the gas valve. The ignition control module is installed in a box on the floor with an ON/OFF switch.

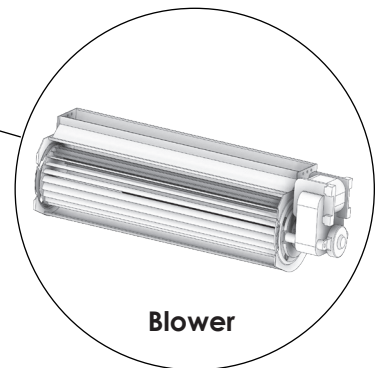
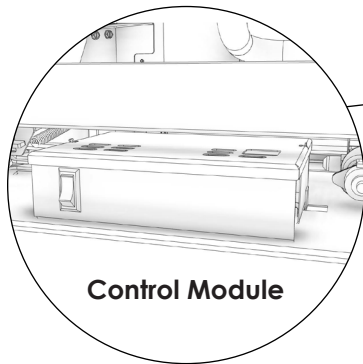
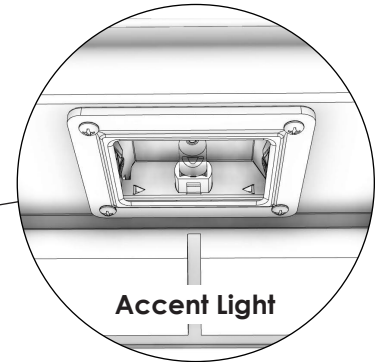
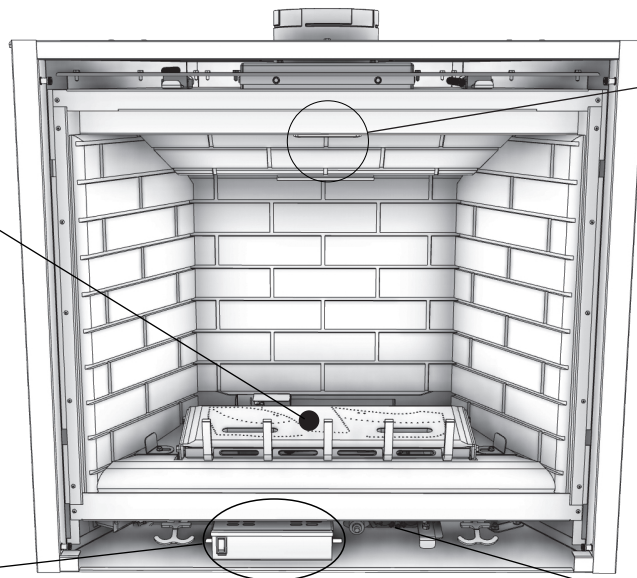
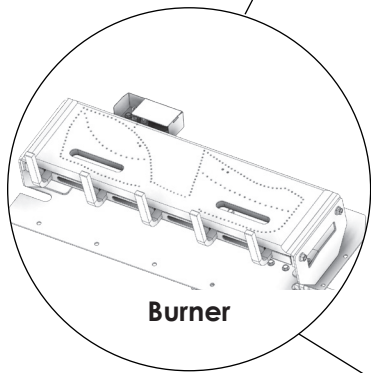
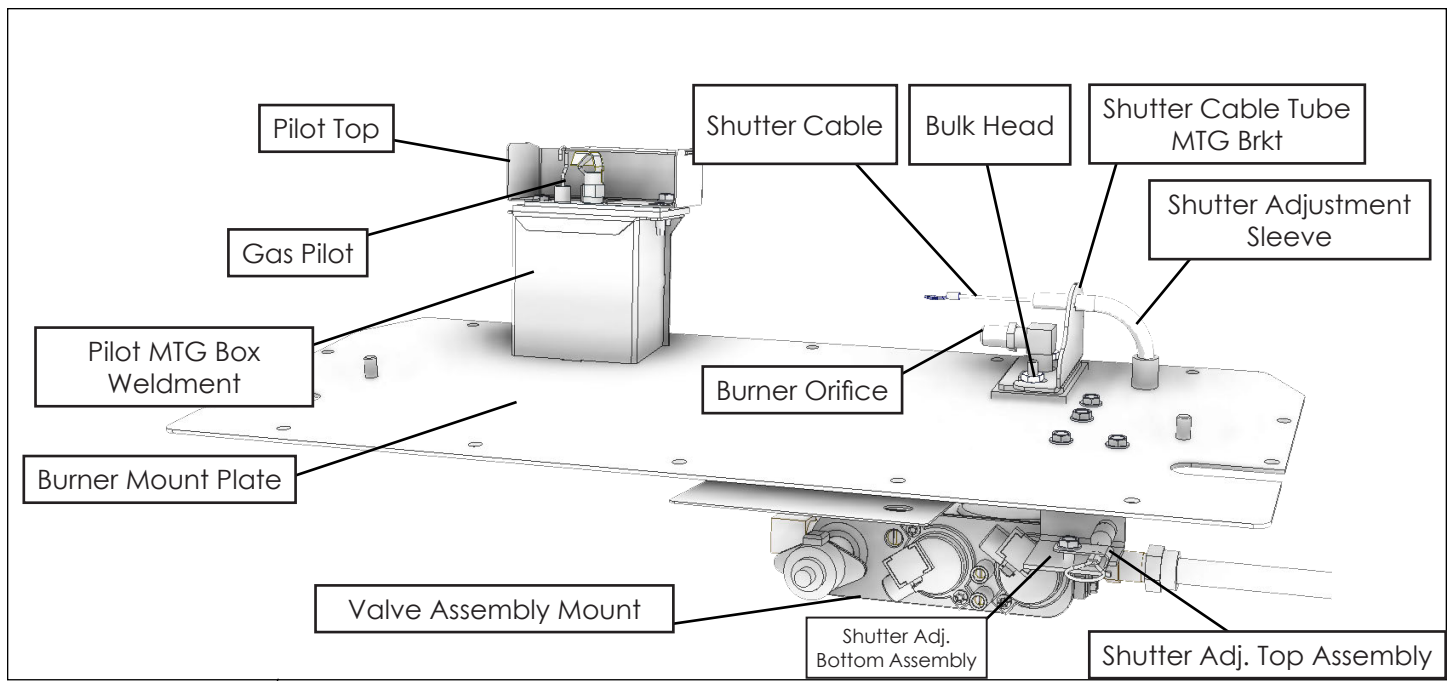
Convection Blower: The convection blower is mounted on the firebox's rear wall behind the control module.

Accent Light: The accent light is mounted in the firebox top center area.

Part No.	Description	Qty.
28402	Burner Shelf	1
28577	Left Bottom Panel Bracket	1
28797	Right Bottom Panel Bracket	1
28909	Pass Through Cover	1
610771	Painted Burner Assembly	1
80775	High Temp Light Assembly	1
80766	G9 Base Bulb	1
86892	Starter Collar 6-5/8" (81001372)	1
86893	Inner Draft Hood, 4" (810014060)	1
88287	Exhaust Gasket	2
88293	Intake Collar Gasket	2
88294	Burner Plate Gasket	1
88307	Light Gasket	1
88309	Pass Through Gasket	2
610759	Glass Door Frame Assembly	1
610892	Blower Kit Assembly	1

80709	Blower	1
610770	Control Module Box Assembly	1
28786	Electrical Box Lid	1
610769	Control Module Assembly	1
80763	IFC Wire Harness, No CPI Switch	1
80772	IFC On/Off Switch Harness, 4"	1
80649	Ground Wire	1
80773	IFC Fan/Light Harness, 11.50"	1
C42373	Rocker Switch	1
28785	Electrical Box	1
610778	Burner Plate Assembly	1
81297	Gas Pilot	1
893032	On/Off Ball Valve	1
610803	Log Retainer Assembly	1
80761	9V Battery Box	1
892977	Inlet Tube Assembly	1
80762	Sit Transmitter (Remote) (Sit #0.584.040)	1

VALVE ASSEMBLY



Installation Checklist

All items on the checklist must be completed.

- Co-axial vent rigid pipe, wall vent cap or roof vent cap is installed by an approved service person in accordance with instructions.
- All joints are secured, "twist-locked" and leak-proof. 1000°F sealant is used on the inner pipe joints of all DuraVent pipe sections.
- Horizontal or vertical vent cap is installed "right-side-up" and tightly sealed to structure per instructions. Vent Caps are approved.
- Proper exterior and interior clearances for vent systems and locations for wall vent cap/roof vent cap are maintained.
- Correct gas pressure, proper size gas lines and gas leaks are checked.
- 120 V electrical service and gas supply is installed in accordance with instructions and local and national codes.
- Telescoping sections are not separated. They were used as complete assemblies.
- Glass door is in proper closed position and centered in firebox opening.

Lighting Checklist

All items on the checklist must be completed.

- Gas leaks and gas pressures prior to installing facing materials is checked.
- Fresh batteries are in remote control. Follow "First-Time Lighting Instructions" to synchronize the remote control and the ignition module.
- Air shutter opening 0" to 1/8" natural gas or 1/4" to 1/2" LP gas is checked.
- All lighting and log installation instructions were followed.
- Burners light immediately and flame runs promptly around burner and lights entire burner. NOTE: Do not proceed with operation unless burner cycles "on/off" without delays.
- Flame is "stable" and does not "lift" off burner. If flame lifts off burner, turn off and check that all vent pipes are "twist locked" and leak proof, the vent cap is "right side up" and that 1000°F sealant has been used on the inner pipe joints of all DuraVent pipe sections. Do not proceed with operation if flame is "lifting off" burner.

Operation Information

USING YOUR REMOTE CONTROL

Your remote control is preprogrammed. Ensure you have installed 3 AAA batteries into your remote.

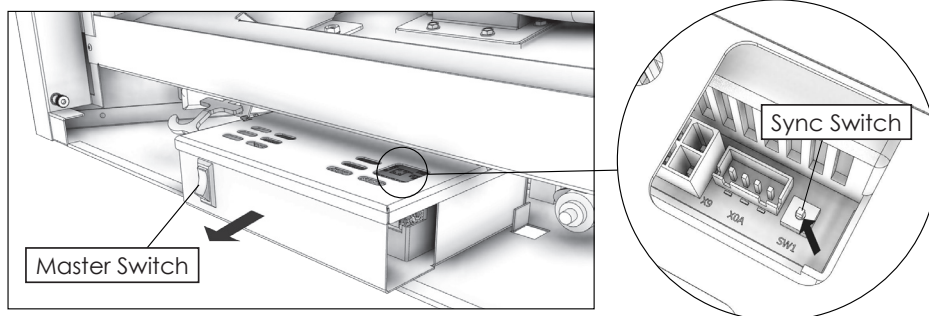
Press the top button on the remote control. If you do not hear a beep when you press this button, follow the instructions below to synchronize your appliance and remote control.

SYNCHRONIZING THE REMOTE CONTROL

The master switch is located on the bottom left corner. Follow the steps below to synchronize:

1. Toggle the master On/Off switch to "ON" (toggle up). The burners will not ignite unless the master switch is on.
2. Locate sync switch on the ignition module. It is the red button located on the ignition module labeled "SW1". Press the sync button and release. The module will beep 3 times indicating that it is ready to synchronize with a remote control. NOTE: If you do not hear any beeps when you press the sync button, contact your authorized dealer or installer for assistance.
3. Within 7 seconds, press the "ON" button on the remote control. The appliance will beep to indicate that the remote control's command is accepted and sets to the code of that controller.

Your system is now synchronized.



REMOTE CONTROL FUNCTIONS

NOTE: You will hear a beep once every time a remote-control button is pressed, signaling that the command has been received. Locate the four function buttons on the remote control:

1. On/Off Button: This button turns the appliance on or off. When this button is depressed, and the system is off, the pilot will ignite. After pilot ignition, the pilot will light the main burners. Refer to IPI and CPI Modes in this manual for pilot ignition.

2. Thermostat Button: This button will allow the selection of three modes: Manual, Normal Thermostat, and Smart Thermostat. NOTE: The appliance will automatically shut off after 12 hours of continuous use.

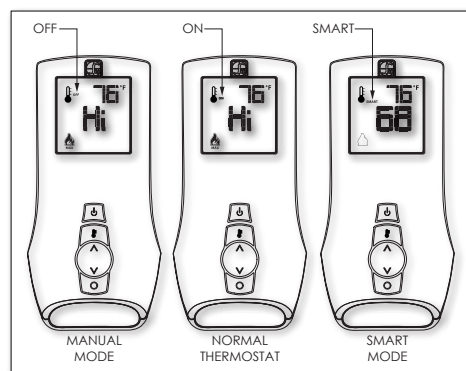
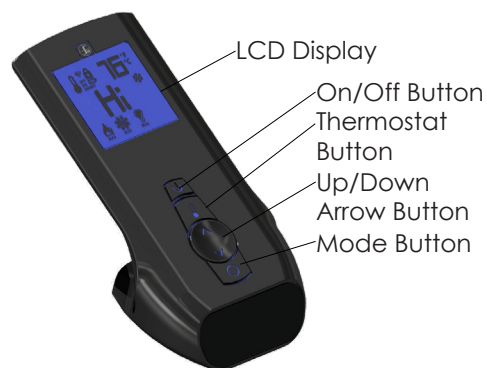
a. Manual (Off): In this mode, the appliance can be turned on, regardless of the room temperature. The actual room temperature has no effect in this mode. All other functions such as fan speed control, flame height control, and accent light intensity controls are manually controllable.

b. Normal Thermostat (On): Will turn itself on and off, depending on the temperature you set. When you set the thermostat, it will continue heating until the room temperature increases 1°F above the set thermostat temperature. To increase the thermostat temperature, press the up button until the desired temperature is displayed in the thermostat temperature window. The fan will turn on 5 minutes after startup and will turn off 12-1/2 minutes after the flames turn off. The flame height can be adjusted while in use, fan speed can be adjusted after 5 minutes of startup. The accent light can be adjusted any time after startup.

c. Smart Thermostat (Smart): In this mode, room temperature is maintained, and flame height adjusts automatically to provide continual, efficient heat. All other functions of the normal thermostat mode, except the flame height adjustment, are allowed. Manual flame height adjustment is not allowed in this mode. The Smart Thermostat function adjusts the flame height in accordance to the difference between the set point temperature and the actual room temperature. As the room temperature gets closer to the set point temperature, the Smart Thermostat automatically modulates the flame down.

3. Up/Down Button: This button is used to increase or decrease the thermostat temperature, flame height, fan speed, and accent light intensity.

4. Mode Selection Button: This button is used to toggle between the various function icons: flame height, fan speed, accent light, and rear burner (certain models).



AUTOMATIC SAFETY RESTART

This system will execute an automatic turn off command within (24) hours of a continued pilot flame ignition. This allows the system to verify correct safety functions. After the turn off sequence is completed, the ignition module will re-execute the latest command.

TURN ON FUNCTION

5. Press the on/off button. The remote-control display will show all active icons on the screen.

6. Select the thermostat mode by pressing the thermostat button: OFF (meaning Manual), ON (meaning Normal Thermostat) or Smart (meaning Smart Thermostat).

a. If the thermostat icon displays as "OFF" (Manual), it will ignite and start on Hi.

b. If the thermostat icon displays as "ON" (Normal Thermostat), it will only ignite if the thermostat temperature is greater than the room temperature.

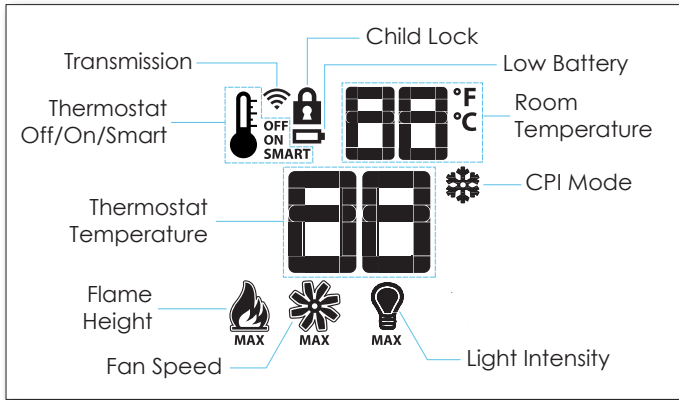
c. If the thermostat icon displays as "SMART" (Smart Thermostat), it will only ignite if the thermostat temperature is greater than the room temperature.

TURN OFF FUNCTION

Press the on/off button.

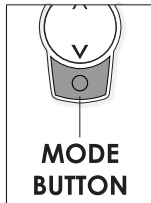
UNDERSTANDING YOUR REMOTE-CONTROL ICONS

Your remote control displays and controls the following functions. See below for detailed control icon explanations.



ICON DETAILS

Mode Button: Pressing the mode button toggles between the various available functions: flame height, fan speed, accent light intensity and rear burner on/off.

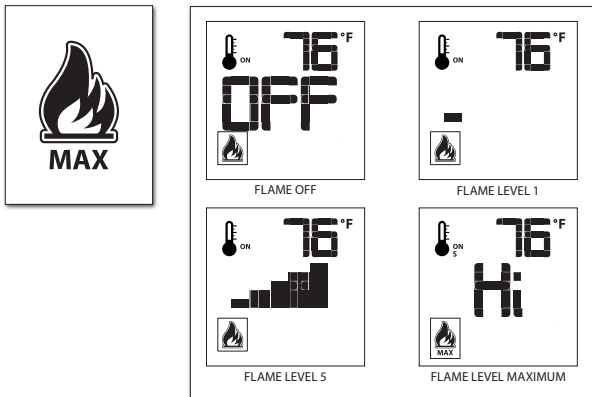


Flame Height: Six flame height levels are available. While the flame height icon is displayed, pressing the up or down button once will increase or decrease the flame height by 1 of 6 levels.

If the flame height is at Level 1 and the down button is pressed, all burners will turn off.

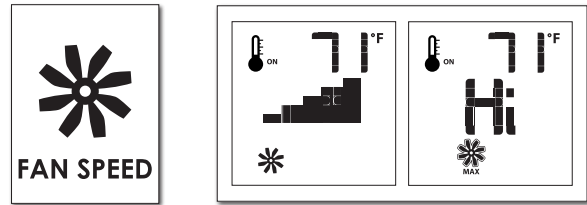
If in IPI mode, the pilot will also extinguish.

If in CPI mode, the pilot will remain on. **NOTE:** If in Smart Thermostat, the flame height function is not available for manual adjustment. In Smart Thermostat, the flame height regulates automatically.

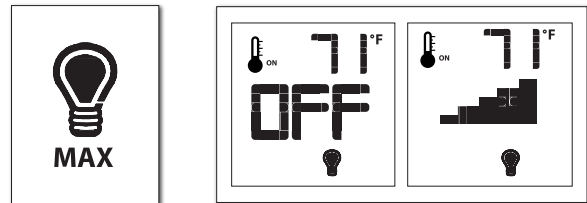


Fan Speed Control: The fan speed can be adjusted through 6 speeds and off. To activate this function, press the Mode button until it displays the fan icon. Use the up/down arrow button to turn on, off, or adjust the fan speed. Once you set the desired fan control, the

system will remember your selected fan speed until you manually change it.



Accent Light: This function controls the accent light functions. Pressing the up button in this mode will turn on the accent light and allow you to control the 6 levels of intensity. Once you set the desired light level, the system will remember your selection until you manually change it.



IPI AND CPI MODES

Intermittent Pilot and Continuous (Standing) Pilot Features - First lights a pilot then uses the pilot to ignite the main burners. The pilot can be set in the CPI (Continuous Pilot Ignition) mode to allow the pilot to remain on indefinitely by setting the remote control to CPI mode. If the remote control is set to the IPI (Intermittent Pilot Ignition) mode, the pilot will only light and remain ON while the main burners are operating.

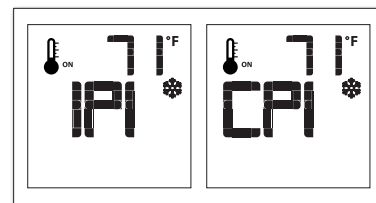
IPI Mode: This mode turns the pilot off when not in use and only lights the pilot automatically when a call for heat is made by the remote control.

CPI Mode: If set to CPI mode, the pilot will ignite and remain on at all times.

SETTING TO IPI OR CPI MODE

With the remote control off, press the MODE button. You will see either "CPI" or "IPI" displayed on the screen. Press the UP arrow button to set "CPI" mode and press the down arrow button to set "IPI" mode. Once set to the desired setting, press On/Off button to activate.

Recommended: Keep in CPI mode. While not mandatory, this will keep the chimney heated for proper updraft during burner ignition, and it will also eliminate excessive condensation of exhaust vapors on the door glass. **NOTE:** The snowflake icon will be visible on the display always when in CPI mode.



Leaving it in CPI mode will keep the body warm and eliminate cold drafts and heat loss to the cold air that is trapped inside the firebox.

First-Time Lighting Instructions

WARNING: WHAT TO DO IF YOU SMELL GAS

- Do not light any appliance.
- Do not touch any light switch
- Do not use any phone in your building.
- Call your gas supplier from a neighbor's phone.
- Follow the provider representative's instructions.
- If you cannot reach your gas supplier, call the fire department for assistance.

WARNING: If you do not follow these instructions exactly, a fire or explosion may result causing property damage, personal injury, and loss of life.

SAFETY INFORMATION

- This appliance is equipped with an ignition device which automatically lights the pilot. Do not attempt to light pilot by hand.
- Before operating, smell all around the area for gas. Be sure to smell next to the floor because some gas is heavier than air and will settle on the floor.
- Toggle master switch to on. The burners will not ignite unless the master switch is on.
- Use only the supplied remote control to light the pilot. This valve will not operate if the pilot is not lit and stable.
- Do not use if any part has been underwater. Immediately call a qualified service technician to inspect and replace any component which has been under water. Attempted operation may result in fire or explosion resulting in property damage, personal injury, and loss of life.

OPERATING INSTRUCTIONS

1. Read the above safety information carefully before proceeding.
2. Do not attempt to light the pilot by hand; the door must remain on this appliance during pilot ignition, except for the first time lighting.
3. Press the On/Off button on remote control to begin the ignition sequence.
4. There will be an audible beep and then the igniter will begin to spark. After the pilot lights and is established, the valve will automatically open and the burner will light. The burner will initially light to full flame. Adjust it to an appealing setting with the remote (see "Remote Operating Instructions" in this manual).

WARNING: If the pilot fails to light, the system will "lockout". Press On/Off button on remote control to turn off the system. Allow five minutes for any gas to dissipate before attempting to re-light the pilot.

5. Press On/Off button on remote control again to start ignition sequence.
6. If it will not operate, follow the instructions "Turning Off" section and call your service technician or gas supplier.


TURNING OFF

1. Press the On/Off button on the remote control.
2. Turn off the external manual shutoff valve supplied by installer and mounted adjacent to the appliance.
3. Turn off all electric power to the appliance if service is to be performed.

Frequently Asked Questions

WHERE CAN I FIND THE MODEL AND SERIAL NUMBERS?

NOTE: This image is only an example. The label on the actual unit will vary slightly. When requesting service, you will be asked to provide the model number, serial number, and manufacture date to your authorized dealer. This information will expedite the warranty verification process. This is an example of your listing label:



BRECKWELL

Model / Modèle: BH3024FP
Certified to / Certifié: ANSI Z21.88-2017 / CSA 2.33-2017; CSA 2.17-2017; CAN/CSA-P.4.1-2015

SERIAL NO. / N° de série [REDACTED]
Mfg Date. / Date de Fabrication [REDACTED]

VENTED GAS FIREPLACE HEATER
NOT FOR USE WITH SOLID FUEL - THIS APPLIANCE IS MANUFACTURED AS NATURAL GAS.

This vented gas fireplace heater is not for use with air filters. This appliance is only for use with the type(s) of gas indicated on the rating plate and may be installed in an aftermarket, permanently located, manufactured home (USA only) or mobile home, where not prohibited by local codes. See owner's manual for details. This appliance is not convertible for use with other gases, unless a certified kit is used.

For Natural Gas when equipped with No. 40 drill size orifice, for Propane Gas when equipped with No. 53 drill size orifice. Orifices and instructions necessary for propane gas conversion are provided with the kit # LG30LPC.

This appliance must be properly connected to a venting system in accordance with the manufacturer's installation instructions. If the vent-air intake system is disassembled for any reason, reinstall per instructions with initial installation.

SAFETY BARRIERS:
 For use only with barrier / Part Number: 611012. Follow installation instructions accompanying the appliance.

REPLACEMENT FAN KIT:
 Part No. 80709 fan or blower assembly must be used.
 Rating: 120Volts, 60Hz, 1.3 Amps.

Minimum Appliance Clearances To Combustibles / Dégradements Minimums De L'appareil Aux Matériaux Combustibles

From appliance top stand-offs / Des étriers de dégagement supérieurs du foyer à l'encadrement	0"	0 mm
From appliance left and right side stand-offs / Aux étriers dégagement latéraux et droits du foyer	0"	0 mm
From appliance back stand-offs / Aux étriers dégagement arrières de l'appareil	0"	0 mm
From appliance corners / À chaque coin du foyer	1/4"	6 mm
From appliance front / Du devant du foyer aux matériaux combustibles	36"	914 mm
From appliance top to ceiling / Dessus du foyer au plafond	51"	1295 mm
Mount 9" (228 mm) deep from appliance top / Du dessus du foyer à un manteau de 9 po (228 mm) de profond (projection)	10"	254 mm

Minimum Vent System Clearances To Combustibles / Dégradements Minimums Exigés Du Conduit D'évacuation Aux Matériaux Combustibles

Horizontal pipe sides and bottom surfaces / Côtés horizontaux et surfaces inférieures	1"	25 mm
Vertical pipe left and right surfaces / Surfaces du tuyau vertical de tous les côtés	1"	25 mm
Horizontal pipe top surface / Surface supérieure du tuyau horizontal	3"	76 mm

Canaciti	Canaciti
ENERGUIDE	ENERGUIDE
Gas Fireplace Energy Efficiency Rating Cote énergétique des foyers à gaz	Gas Fireplace Energy Efficiency Rating Cote énergétique des foyers à gaz
65% <small>Based on CSA P.4.1-15 Basée sur la norme CSA P.4.1-15</small>	66% <small>Based on CSA P.4.1-15 Basée sur la norme CSA P.4.1-15</small>
Natural Gas / Gaz Naturel	LP Gas / Gaz Propane

FOYER ENCASTRABLE À GAZ À ÉVACUATION
N'UTILISER AUCUN COMBUSTIBLE SOLIDE. CET APPAREIL EST ÉQUIPÉ POUR FONCTIONNER AU GAZ NATUREL.

Ce foyer à gaz à évacuation ne doit pas être utilisé avec les filtres à air. Cet appareil ne doit fonctionner qu'avec le type de gaz spécifié sur la plaque signalétique et peut être installé dans une maison préfabriquée (États-Unis seulement) ou une maison mobile installée en permanence, là où les codes locaux le permettent. Voir le manuel d'installation du foyer pour les détails. Cet appareil ne doit pas fonctionner avec un autre type de gaz, à moins d'installer un kit de conversion de gaz certifié.

Cet appareil doit être installé selon les codes locaux s'il y en a; suivez le National Fuel Gas Code, ANSI z223.1/NFPA 54, ou le Code d'installation du gaz naturel et du propane, CSA B 149.1.

AVERTISSEMENT: Une altération ou non-conformité d'installation, d'entretien ou de réglage de cet appareil peut causer des blessures et/ou dommages matériels. Voir le manuel d'installation et d'utilisation fourni avec cet appareil. Pour de l'aide ou de l'information supplémentaire, consultez un installateur qualifié, une agence d'entretien ou le fournisseur de gaz. N'utiliser aucun filtre à air avec ce foyer au gaz à évacuation. **POUR UTILISATION UNIQUEMENT AVEC LES PORTES EN VERRE CERTIFIÉES AVEC L'APPAREIL.**


Cet appareil est équipé pour fonctionner aux altitudes suivantes:
 États-Unis: 0 à 2000pieds (0 à 610m)
 Canada: 0 à 4500pieds (0 à 1372m)

Convient au gaz naturel quand l'appareil est muni d'un injecteur de diamètre no. 40. Convient au propane quand l'appareil est muni d'un injecteur de diamètre no. 53. Pour le convertir au gaz propane (GPL), suivez les instructions fournies avec le kit de conversion # LG30LPC.

Cet appareil doit être correctement raccordé à un système d'évacuation, conformément aux instructions du fabricant. Veuillez consulter le manuel d'installation du foyer, pour les exigences complètes du conduit d'évacuation.

ÉCRANS PARE-ÉTINCELLES:
 À utiliser uniquement avec des barrières Numéros de pièces: 611012. Suivez les instructions d'installation accompagnant l'appareil.

KIT DE REMPLACEMENT DU VENTILATEUR:
 L'ensemble de ventilateur (pièce n° 80709) doit être utilisé.
 Caractéristiques Électriques: 120 volts, 60 Hz, 1.3 ampères.



Report # F18-149
853786

WHAT HAPPENS WHEN FIRST LIT?

There is a curing period. This can include a small amount of smoke and odor. This is normal. Curing steps include:
 Step 1: Expelling Initial Smoke and Odors

- Complete the installation of any surround, front, doors, or safety screen.
- Turn on in the Manual (Off) thermostat mode.
- Set the flame height to Hi.
- Set the fan speed control to Level 2.
- Run with these settings for a minimum of 3 hours. Then turn off and let it cool.

WARNING: It is important that the blowers are on during this step to prevent the curing smoke from staining the surrounding wall finish. Complete Step 1 prior to installation of wall finish materials. Visible smoke and odor is expected during this step. If desired, disable smoke alarms before this step. Smoke from the initial cure may set off smoke alarms. Open doors and windows to circulate fresh air.

Step 2: High Heat Curing Cycle

- Turn on in the Manual (Off) thermostat mode.
- Set the flame height to Hi.
- Set the fan speed control to Off.
- Run it with these settings for 8 continuous hours or until curing odors have diminished.
- When odors have diminished, leave on and continue below.
- Set the fan speed control to Level 1.
- If any new curing odors are detected, continue to run this setting until the curing odors have diminished.

WARNING: Slight odors may still be noticeable on future startups. These will diminish over time with further use.

ADDITIONAL CURING INFORMATION

It is not unusual to require more than 10 continuous hours on high for curing odors to diminish. There are variables that can extend or shorten the curing time, such as decorative fronts, doors, facing materials, and their applications. It is normal for surrounding surfaces to be too hot to touch. Provided that all clearances and R-value requirements in the installation manual have been met, this is not a safety concern. Be aware that any material used around the appliance will heat up and has the potential to cause odor issues. Adhesives, glue, wall substrate, wall finish material, paints, and polishes are common materials that if used incorrectly will cause odor issues. Breckwell is not responsible for any odor issues caused by materials used. If you have any additional questions or concerns, contact your authorized dealer or email service at www.breckwell.com.

CAN I OPERATE DURING POWER OUTAGES?

This electronic ignition system uses the supplied 120VAC power when it is available for all functions of this system. If you experience a power outage, insert 4 AA batteries into battery pack located in the ignition module box. During the power outage, the burner will function as well as the flame height adjustment. The fan and accent light, which are dependent on 120VAC power, will not function. Your installer should demonstrate the backup DC power pack during power outages. Be sure to retain the DC battery pack and the connecting harness in a safe and secure place for use during power outages.

WHAT IS THE REQUIRED ANNUAL MAINTENANCE?

The following procedures must be performed each year by a qualified service person. Recommended steps for yearly maintenance:

1. Remove logs and coals and clean away any foreign matter (lint, carbon, etc.) on the burner and logs. Be sure the burner ports are "open". Clean the pilot and under side of the logs for any carbon deposits. Logs should be visually checked for carbon buildup. If carbon deposits are visible on logs, turned off and contact an authorized service person. Be sure logs are re-installed per instructions. NOTE: Any adjustments to burner, pilot, or logs must be done by a qualified authorized service person.
2. Clean all lint and dust build-up around the control. Inspect the condition of any wiring under the burner for melting or damage. Clean flame sensor rod/hook using emery cloth. Vacuum all burner ports and pilot assembly.
3. Check condition of glass door gasket, the gasket must seal tightly over firebox, Inspect gasket along top and sides of glass. If gasket at corners of glass are bulging outward or if gasket bulb along top edge or sides are discolored to a white color appearance through the whole thickness of the gasket bulb, then replace the gasket. White colored gasket bulb indicates exhaust leak through the discolored area and requires replacement of the glass gasket.

WARNING: Do not use oven cleaner or ammonia-based products to clean glass. Clean the glass only when it has cooled to room temperature.

HOW DO I CLEAN THE GLASS?

WARNING: Additives that are put in gas (both natural and LP) to make it smell can be harmful to glass and can leave a white film deposit on the glass. This deposit can be removed with cleaners such as KEL KEM "Polish Plus" or comparable product. Contact your authorized dealer for more information.

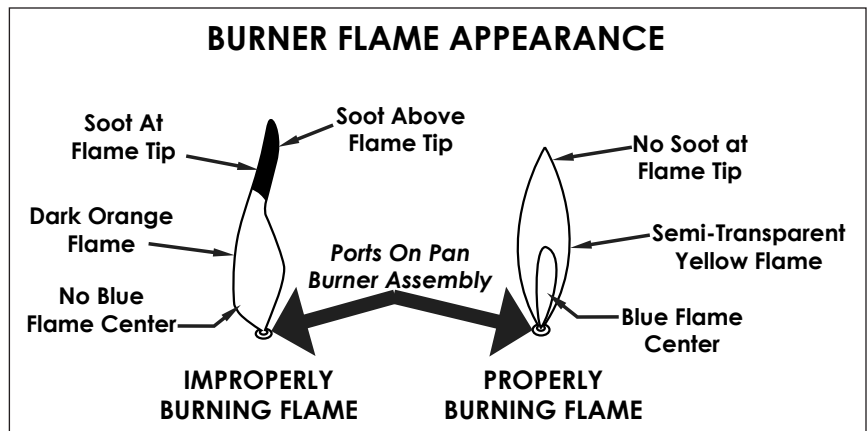
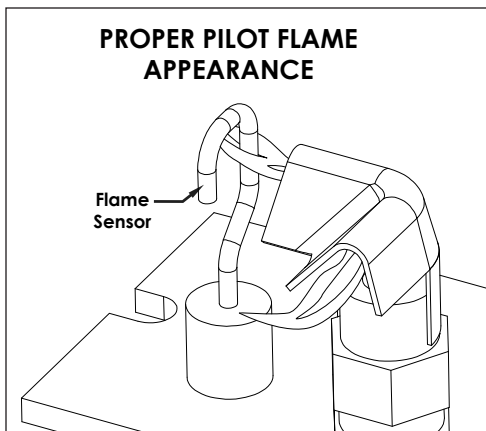
The glass should be cleaned periodically. To clean glass surface, use Kel Kem Polish or a comparable product. Do not use oven cleaner or abrasive cleaners to clean glass. Do not clean when glass is hot.

IS MY FLAME APPEARANCE CORRECT?

There are air shutters and media that can be adjusted depending on your fuel and venting configuration. These adjustments should be made by a qualified technician to achieve the best flame appearance. Contact your installer or authorized dealer if you feel it is not burning correctly. Improper setup and adjustment is not covered under warranty. Follow these steps for periodic inspections:

1. Check to verify that the vent system and vent cap are open and free of blockage.
2. The glass should be cleaned periodically (see the "How Do I Clean The Glass?" section of this manual).
3. Before re-installing glass, have qualified service person check the operation of the pilot and cycle the burner per lighting instructions. Be sure all items in lighting and installation checklists are completed.

Flame Characteristic	Cause	Solution
Dark, orange flame with black tips	Venturi closed too far	Open venturi slightly
Short, blue flames	Venturi open too far	Close setting slightly
Lifting (ghosting) flames	Gas pressure too high Venturi closed too far	Check manometer settings Open venturi setting slightly



4. Periodic visual check of pilot flames is required. Pilot flame must overlap flame sensor and burner ignition ports always. Especially for LP gas applications, always verify visible pilot flame length is at least 1" long.
5. Periodic visual check of the burner flame is required.

WHAT SHOULD I DO IF SOOTING OCCURS?

Troubleshooting Soot		
Issue	Possible Causes	Corrective Action
Thin black coating (soot) forms on viewing glass	<ul style="list-style-type: none"> • Incorrect gas pressure • Not enough combustion air • Leaking glass gasket • Vent obstruction 	<p>Have gas supplier check for correct gas inlet pressure. Check the glass gasket for proper seal. Corners of glass gaskets cannot be bulging out. If glass gasket along the top edge in the middle is white in color across entire thickness of gasket bulb, replace glass gasket.</p> <p>If sooting continues, open air shutter on burner. If sooting continues, shut off and call an authorized service person.</p>

Sooting is caused by improper installation or air shutter operation. However, some small areas of soot deposits on log surfaces are deemed acceptable. If you observe large soot areas (larger than 1"x1") on log surfaces or signs of sooting on the door glass (usually a thin black film on the viewing glass or on the outside of the home around the vent cap), turned off immediately and the local authorized dealer promptly informed. Authorized dealers will correct "sooting" problems, but they are not responsible for damage caused by excessive sooting that has not been immediately brought to their attention.

HOW DO I CHANGE FROM °C TO °F ON MY REMOTE?

To change between °C to °F, follow these steps:

1. Press the ON/OFF button and turn off.

2. Simultaneously, press both the mode button and the thermostat button.
3. Look at the LCD display to verify that your desired indicator (°F or °C) is being displayed. If not, repeat Step 2.

HOW DO I SET THE CHILD-LOCK MODE?

To prevent unsupervised children from operating, a child-lock function is provided with this remote-control system.

To activate the child-lock function: Simultaneously press the "MODE button" and the "UP button".

To deactivate the child-lock function: Simultaneously press the "MODE button" and the "UP button".

During the child-lock mode, none of the remote-control buttons will function. You must deactivate the child-lock function before you can use the remote control.

WHEN SHOULD I CHANGE THE BATTERIES IN MY REMOTE?

When the remote-control batteries are low, a battery icon will appear on the LCD display of the remote control before all battery power is lost. When the batteries are replaced, this icon will disappear.

WHY DID MY THERMOSTAT DISAPPEAR FROM MY REMOTE?

When reinstalling batteries, the thermostat may have been pressed while the batteries were changed. To make your thermostat reappear, follow these steps:

1. Remove one battery.
2. Press and hold the thermostat button on the remote.
3. Reinstall the battery while holding the thermostat button down.
4. If you see "set", the thermostat button is now enabled.
5. If you see "clear", the thermostat button is disabled.
6. Repeat this procedure if you did not see "set" or "clear" to add/remove the thermostat option.

WHY WON'T IT TURN ON?

If your remote control is working, but your appliance won't turn on, it may be in "lockout" mode. To reset a lockout follow these steps:

1. Turn off remote.
2. Turn on remote and wait 2 seconds.
3. Turn off remote and wait 2 seconds.
4. Turn on remote and wait 2 seconds.
5. Turn off remote.

This should clear the lockout mode. Turn on the remote and start the appliance. Ensure the master switch is in the "ON" position. If the lockout mode is still on, follow these steps:

1. Turn off the remote.
2. If you see the snowflake icon, press the Mode button and toggle it to IPI mode.
3. Shut off AC power to the ignition control module (shut off breaker).
4. Toggle master switch to off. Wait 30 seconds.
5. Turn on AC power by turning on breaker.
6. Turn on remote, then turn off remote.
7. Toggle master switch back on.
8. Press Mode button on remote. Select CPI mode to reignite the pilot. After pilot lights, turn on your remote to ignite.

After completing these steps, contact your authorized dealer if it won't turn on.

Adjustment

PRESSURE TESTING

NOTE: The appliance and its main gas valve must be disconnected from the gas supply piping system during any pressure testing of the system at test pressures in excess of 1/2 psi (3.5 kPa).

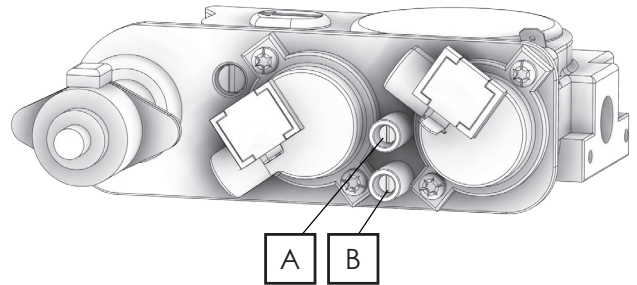
WARNING: Pressure check taps for manifold (outgoing) and inlet (incoming) pressure have been incorporated into the valve. The pressure tap marked OUT measures outgoing pressure. The pressure tap marked IN measures incoming pressure.

INLET PRESSURE TEST

NOTE: Make sure to apply these incoming pressure test with all other gas appliances on, or at full capacity in the house for proper pressure reading.

WARNING: If the inlet pressure reading is too high or too low, contact the gas company. Only a qualified gas service technician should adjust incoming gas pressure.

1. Loosen the inlet (IN) pressure tap by turning screw counterclockwise. See (A).
2. Attach manometer using a 1/4" (6 mm) I.D. hose. Light pilot and burner. Check pressure to ensure it is between the minimum and maximum recommended pressure settings.
3. Turn off burner and pilot.
4. Disconnect hose and tighten the inlet (IN) pressure tap by turning screw clockwise. Screw should be snug. Do not over tighten.
5. Relight pilot and burner. Then reattach manometer to the inlet pressure tap (A) to verify the tap is completely sealed. Manometer should read no pressure.



MANIFOLD PRESSURE TEST

1. Light pilot.
2. Loosen manifold (OUT) pressure tap by turning screw counter-clockwise (see (B)).
3. Attach manometer to pressure tap using a 1/4" (6 mm) I.D. hose.
4. Light burner. Check manometer reading.
5. Turn burner and pilot off.
6. Disconnect manometer hose and tighten the manifold (OUT) pressure tap by turning screw clockwise. Screw should be snug. Do not over tighten.
7. Attach the manometer to the manifold pressure tap (B) to verify it is completely sealed. The manometer should read no pressure when pilot and burner are on.

Inlet Pressures		
Fuel	Natural Gas	LP Gas
Gas Supply	Min - Max	Min - Max
Inlet Pressure Tap (A)	5" - 10.5" WC (1.25 - 2.62 kPa)	12" - 14" WC (2.99 - 3.49 kPa)

Manifold Pressure		
Fuel	Natural Gas	LP Gas
Gas Supply	Low - High	Low - High
Manifold Pressure Tap (B)	1.1" - 3.8" WC (0.27 - 0.95 kPa)	2.9" - 11" WC (0.72 - 2.74 kPa)

BURNER FLAME ADJUSTMENTS

WARNING: To avoid property damage or personal injury, allow ample time to cool before making any adjustments.

Burner flame appearance and characteristics are affected by altitude, fuel quality, venting configuration, and other factors. After installation, additional adjustments may be required to achieve optimum flame appearance and visual aesthetics.

GAS FLAME ADJUSTMENT

WARNING: VENTURI ADJUSTMENT MUST BE DONE BY A QUALIFIED SERVICE TECHNICIAN.

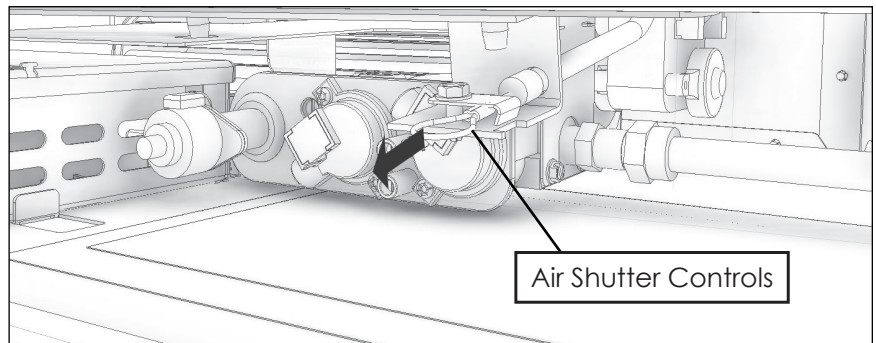
During the initial installation, the air shutter opening should be checked to be certain that the shutter is set correctly as specified in this manual. Adjustments should only be made by a qualified installer. NOTE: For altitudes above 5,000 ft., some variations may be required.

Be sure burner and logs are properly installed. After burner has been properly installed and operated for 2-3 hours, small additional adjustments to the air shutter may be necessary for final flame appearance. These small shutter adjustments can be made by the following procedure. NOTE: Very small changes in shutter settings make major changes in flame appearance.

1. Air shutter controls are located at the bottom of the appliance next to the valve assembly.
2. If flame is too "blue," push the air shutter knob in (close) in small 1/8" increments until flame turns desired realistic "orange" color.
3. If flame is too "orange" or is causing sooting on viewing glass, pull air shutter knob out (open) in approx. 1/8" increments until sooting stops.

WARNING: Try each new shutter setting approx. 1/2 hr. before making additional changes. Changes in burner flame can be made by re-arranging the media material.

Factory Set Venturi Openings	
Fuel	Air Shutter Opening
Natural Gas	Closed
LP Gas	1/8" (3 mm) Open



Troubleshooting

Before proceeding with the steps in the following troubleshooting guide,

- Verify proper 120VAC power supply to the control module.
- Verify the control module battery pack and the remote control batteries are fresh and installed with correct polarity.
- Verify all connections between the wire harnesses and the system components are proper and positive.
- Verify the communication link is established between the remote control and the ignition module.
- Verify inlet pressure meets the recommended inlet pressure.

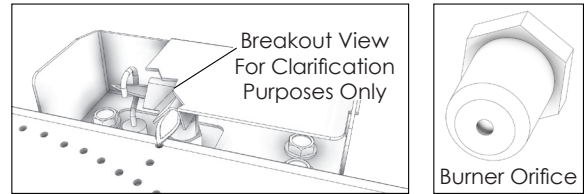
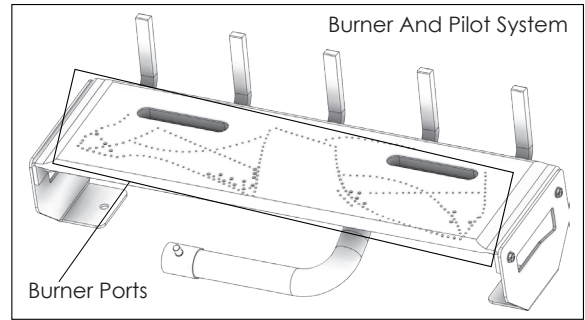
If necessary, adjust line pressure regulator.

WARNING: Installation and repair shall only be done by a qualified service person. The appliance should be inspected before use by a qualified service person. It is required to be inspected at least once a year by a professional service person.

Issue	Cause	Solution
Pilot will not light	Electrical power interrupted or disconnected	Restore electrical power to appliance or use battery back-up.
	Wiring disconnection	Ensure batteries are fully charged if using battery back-up as power source. Use wiring schematic in this manual to determine that all wiring connections are secure and correct.
	Gas supply turned off	Check remote shut-off valves from the appliance. Usually there is a valve near the main gas line. There may be more than (1) valve between the appliance and main gas line.

Pilot will not stay lit	No LP (propane) gas in tank	Check LP (propane tank). Refill if necessary.
	Low gas pressure	Consult a plumber or a gas supplier. Can be caused by situations such as a bent line, too narrow diameter or pipe, or a low line pressure.
	Pilot flame not making contact with the flame rectification sensor on the pilot assembly	Verify the pilot flame envelopes the top of the flame sensor and extends far enough onto burner for ignition. To adjust pilot flame, turn pilot adjustment screw on the gas valve clockwise to decrease flame, and counterclockwise to increase flame.
	Pilot adjustment screw not sealed	Seal pilot adjustment screw. Do not over-tighten.
Pilot flame always on, or will not extinguish	Control system set to CPI mode	Set control system to IPI mode.
Main burner flame will not light	ON/OFF rocker switch in OFF position	Gas supply turned off Check
	Gas supply turned off	Check for multiple shut-offs in the supply line. Verify gas supply is turned on.
	Low gas supply	Consult with plumber or gas supplier. Check LP (propane) tank. Refill if necessary.
	Wiring disconnection or improper wiring	Check for faulty or incorrect wiring.
	Plugged main burner orifice	Remove blockage.
	Pilot flame	Verify the pilot flame is properly directed to ignite burner. See pilot flame troubleshooting above.
	Remote control not working properly	Replace batteries.
No call for heat	Verify remote control is powered ON and thermostat operation is turned OFF.	
Pilot and burner extinguish while in operation	No LP (propane) gas in tank	Check LP (propane) tank. Refill if necessary.
	Incorrect glass assembly installation	Refer to Glass Frame Assembly Section
	Incorrect vent cap installation	Adjust if necessary.
	Vent cap blockage	Remove debris if necessary.
	Improper pitch on horizontal venting	1/4" (6 mm) rise per foot (30 cm) is required on horizontal venting
	Exhaust vent pipe leaking exhaust gases back into firebox	Check for leaks and repair if necessary.
	Excessive draft	A restrictor may need to be installed or modified (Refer to Restrictor Section.)
Soot appears on glass	Improper log placement	Refer to Log Set Installation section.
	Improper venturi setting	Venturi air shutter may need to be opened slightly to allow more air into the gas mix. Refer to Burner Venturi section.
	Incorrect vent cap installation	Adjust if necessary.
	Vent cap blockage	Remove debris if necessary.
Flame burns blue and lifts off burner	Improper venturi setting	Venturi air shutter may need to be opened slightly to allow more air into the gas mix. Refer to Burner Venturi section.
	Incorrect vent cap installation	Adjust if necessary.
	Blockage or leakage of the vent system	Check the vent pipes for leaks, and the vent cap for debris. Repair the vent pipes or remove debris from vent cap, if necessary.
No reaction to command	Battery back batteries or remote control batteries low	Replace batteries.
	No communication between remote control and ignition module	Reprogram remote control to the ignition module.
	A maximum number of failed ignitions or flame restorations has been reached	Reset ignition module.

WARNING: The appliance area must be kept clear and free from combustible materials, gasoline and other flammable vapors and liquids.



BURNER AND PILOT SYSTEM

The burner assembly may be removed for easier access to the control compartment.

Performed by: Qualified Service Person

Frequency: Annually

Action:

- Vacuum all components of the burner system.
- Visually check burner ports for blockage, especially near the pilot.
- Visually check pilot light and burner flame pattern when in operation. Flames should be steady, not lifting or floating.

FAN

WARNING: Label all wires prior to disconnection when servicing controls. Wiring errors can cause improper and dangerous operation. Verify proper operation after servicing.

Performed by: Qualified Service Person

Frequency: Annually

Action:

- Disconnect the fans from electrical current and vacuum.
- The bearings are sealed and require no oiling.

VENT SYSTEM

NOTE: If the vent-air intake system is disassembled for any reason, reinstall per instructions provided with installation. Refer to Installation Section.

Performed by: Qualified Service Person

Frequency: Annually

Action:

- Examination of the vent system is required.
- The flow of combustion and ventilation air must not be obstructed.

GLASS ASSEMBLY

WARNING: Do not operate with the glass assembly removed, cracked, or broken. Use protective gloves to handle any broken or damaged glass assembly components.

Do not use substitute materials. Avoid striking or slamming glass assembly. Avoid abrasive cleaner. **DO NOT** clean glass while it is hot.

WARNING: Any safety screen, guard, or barrier removed for servicing must be replaced prior to operating.

Performed by: Homeowner

Frequency: Annually

Action:

- Prepare a work area large enough to accommodate the glass assembly on a flat, stable surface.
- Remove safety screen and glass frame assembly.
- Clean glass with a soft cloth and a non-abrasive cleaner.
- Reinstall glass assembly and safety screen.
- **Any safety screen, guard, or barrier removed for servicing an appliance must be replaced prior to operating the appliance.**

Performed by: Qualified Service Person

Frequency: Annually

Action:

- Inspect the glass for cracks, scratches, and nicks.
- Verify the glass assembly is properly intact and not damaged.
- Replace the glass and the assembly as necessary.
- Only Breckwell will supply the replacement of glass assembly as a complete unit.

SERVICE RECORD

It is recommended that your heating system is serviced regularly and that the appropriate Service Interval Record is completed.

SERVICE PROVIDER

Before completing the appropriate Service Record below, please ensure you have carried out the service as described in the manufacturer's instructions. Always use the manufacturer's specified spare part when replacement is necessary.

Service 01	Date: _____
Engineer Name: _____	
License No.: _____	
Company: _____	
Telephone No.: _____	
Stove Inspected: <input type="checkbox"/>	Chimney Swept: <input type="checkbox"/>
Items Replaced: _____	

Service 02	Date: _____
Engineer Name: _____	
License No.: _____	
Company: _____	
Telephone No.: _____	
Stove Inspected: <input type="checkbox"/>	Chimney Swept: <input type="checkbox"/>
Items Replaced: _____	

Service 03	Date: _____
Engineer Name: _____	
License No.: _____	
Company: _____	
Telephone No.: _____	
Stove Inspected: <input type="checkbox"/>	Chimney Swept: <input type="checkbox"/>
Items Replaced: _____	

Service 04	Date: _____
Engineer Name: _____	
License No.: _____	
Company: _____	
Telephone No.: _____	
Stove Inspected: <input type="checkbox"/>	Chimney Swept: <input type="checkbox"/>
Items Replaced: _____	

Service 05	Date: _____
Engineer Name: _____	
License No.: _____	
Company: _____	
Telephone No.: _____	
Stove Inspected: <input type="checkbox"/>	Chimney Swept: <input type="checkbox"/>
Items Replaced: _____	

Service 06	Date: _____
Engineer Name: _____	
License No.: _____	
Company: _____	
Telephone No.: _____	
Stove Inspected: <input type="checkbox"/>	Chimney Swept: <input type="checkbox"/>
Items Replaced: _____	

Service 07	Date: _____
Engineer Name: _____	
License No.: _____	
Company: _____	
Telephone No.: _____	
Stove Inspected: <input type="checkbox"/>	Chimney Swept: <input type="checkbox"/>
Items Replaced: _____	

Service 08	Date: _____
Engineer Name: _____	
License No.: _____	
Company: _____	
Telephone No.: _____	
Stove Inspected: <input type="checkbox"/>	Chimney Swept: <input type="checkbox"/>
Items Replaced: _____	

Caractéristique de la flamme	Cause	Solution
Flamme orange foncée avec une extrémité noire	Venturi trop serré	Ouvrez légèrement le Venturi
Flammes bleues et courtes	Venturi trop ouvert	Fermer légèrement le raccord
Flammes instables (dansantes)	Pression du gaz trop élevée Venturi trop serré	Vérifier le réglage du manomètre Ouvrir légèrement le Venturi

1. Vérifiez que le système d'évent et un chapeau sont ouverts et ne sont pas bouchés.
2. La vitre doit être nettoyée périodiquement (voir la rubrique « Comment dois-je nettoyer la vitre? » du présent manuel).
3. Avant de réinstaller la vitre, faites vérifier le fonctionnement de la veilleuse par un technicien et lancez un cycle de brûleur selon les instructions d'allumage. Veillez à ce que tous les éléments des listes de contrôle d'éclairage et d'installation soient réalisés.

Suivez ces étapes pendant les inspections périodiques :

1. Vérifiez que le système d'évent et un chapeau sont ouverts et ne sont pas bouchés.

2. La vitre doit être nettoyée périodiquement (voir la rubrique « Comment dois-je nettoyer la vitre? » du présent manuel).

3. Avant de réinstaller la vitre, faites vérifier le fonctionnement de la veilleuse par un technicien et lancez un cycle de brûleur selon les instructions d'allumage. Veillez à ce que tous les éléments des listes de contrôle d'éclairage et d'installation soient réalisés.

L'ASPECT DE MA FLAMME EST-IL CORRECT?

La vitre doit être nettoyée régulièrement. Pour nettoyer la surface de la vitre, utilisez de l'encustique Kêl Kem ou un produit comparable. N'utilisez pas de produits nettoyants abrasifs ou de nettoyant pour four. Ne nettoyez pas la vitre lorsqu'elle est chaude.

ATTENTION : Les additifs qui sont ajoutés au gaz (naturel et GLP) pour le rendre odorant peuvent endommager la vitre et laisser une pellicule blanche sur la vitre. Ce dépôt peut être retiré avec des détergents comme l'encustique Kêl Kem ou un produit comparable. Communiquez avec votre distributeur pour de plus amples informations.

COMMENT DOIS-JE NETTOYER LA VITRE?

ATTENTION : N'utilisez pas de nettoyant pour four ou à base d'ammoniac pour nettoyer la vitre. Nettoyez la vitre uniquement lorsqu'elle est refroidie à la température ambiante.

1. Retirez les bûches et les braises et nettoyez toute matière étrangère (pêchouches, carbone, etc.) sur le brûleur et les bûches. Veillez à ce que les orifices du brûleur restent « dégagés ». Nettoyez la veilleuse et les dépôts de carbone sous les bûches. Les bûches doivent être vérifiées visuellement pour détecter l'accumulation éventuelle de carbone. Si des dépôts de carbone sont visibles sur les bûches, étiquettez et appelez un technicien agréé. Veillez à réinstaller les bûches selon les instructions. REMARQUE : Tout ajustement du brûleur, de la veilleuse ou des bûches doit être réalisé par un technicien qualifié et agréé.
2. Nettoyez tous les petits dommages ou un élément fondu. Nettoyez le crochet/la tige du capteur de la flamme à l'aide de toile émeri. Détectez d'éventuels dommages ou un élément fondu. Nettoyez le crochet/la tige du capteur de la flamme à l'aide de toile émeri. Passez l'aspirateur sur tous les orifices du brûleur et l'assemblage de la veilleuse.
3. Vérifiez l'état du joint de porte vitre, il doit fermer hermétiquement la boîte à combustion. Inspectez le joint sur le dessus et les côtés de la vitre. Si le joint s'est affaissé vers l'extérieur aux coins de la vitre ou si le bulbe du joint d'étanchéité le long de la partie supérieure ou sur les côtés se décolore et blanchit dans toute l'épaisseur du bulbe, remplacez le joint. Un bulbe du joint d'étanchéité blanc indique une fuite de gaz à travers la zone décolorée et nécessite le remplacement du joint de la vitre.

QUEL EST L'ENTRETIEN ANNUEL REQUIS?

Les procédures qui suivent doivent être réalisées chaque année par un technicien qualifié. Étapes recommandées pour l'entretien annuel :

1. Retirez les bûches et les braises et nettoyez toute matière étrangère (pêchouches, carbone, etc.) sur le brûleur et les bûches. Veillez à ce que les orifices du brûleur restent « dégagés ». Nettoyez la veilleuse et les dépôts de carbone sous les bûches. Les bûches doivent être vérifiées visuellement pour détecter l'accumulation éventuelle de carbone. Si des dépôts de carbone sont visibles sur les bûches, étiquettez et appelez un technicien agréé. Veillez à réinstaller les bûches selon les instructions. REMARQUE : Tout ajustement du brûleur, de la veilleuse ou des bûches doit être réalisé par un technicien qualifié et agréé.
2. Nettoyez tous les petits dommages ou un élément fondu. Nettoyez le crochet/la tige du capteur de la flamme à l'aide de toile émeri. Détectez d'éventuels dommages ou un élément fondu. Nettoyez le crochet/la tige du capteur de la flamme à l'aide de toile émeri. Passez l'aspirateur sur tous les orifices du brûleur et l'assemblage de la veilleuse.
3. Vérifiez l'état du joint de porte vitre, il doit fermer hermétiquement la boîte à combustion. Inspectez le joint sur le dessus et les côtés de la vitre. Si le joint s'est affaissé vers l'extérieur aux coins de la vitre ou si le bulbe du joint d'étanchéité le long de la partie supérieure ou sur les côtés se décolore et blanchit dans toute l'épaisseur du bulbe, remplacez le joint. Un bulbe du joint d'étanchéité blanc indique une fuite de gaz à travers la zone décolorée et nécessite le remplacement du joint de la vitre.

PUIS-JE CONTINUER À FAIRE FONCTIONNER L'APPAREIL EN CAS DE PANNE DE COURANT?

Ce système d'allumage électronique utilise une alimentation de 120 V en courant continu pour toutes ses fonctions. En cas de panne d'électricité, insérez 4 piles AA dans le bloc de piles situé dans le boîtier du module d'allumage. Pendant la panne d'électricité, le brûleur continuera à fonctionner ainsi que le réglage de la hauteur de flamme. L'éclairage d'accrochage et le ventilateur, qui sont tributaires de la puissance de 120 V en courant continu, ne fonctionneront pas. Votre installateur devra expliquer le fonctionnement du boîtier d'alimentation CC de secours. N'oubliez pas de conserver le bloc de piles CC et le faisceau de raccordement en lieu sûr pour l'utiliser pendant les pannes de courant.


INFORMATIONS SUPPLÉMENTAIRES SUR LA POLYMERISATION

Il n'est pas inhabituel d'avoir besoin de plus de 10 heures consécutives en position forte pour voir les odeurs diminuer. Certains variétés peuvent prolonger le temps de polymérisation comme les façades décoratives, les portes, les matériaux de revêtement et leurs applications.

Foire Aux Questions

OÙ PUIS-JE TROUVER LE NUMÉRO DU MODÈLE ET LE NUMÉRO DE SÉRIE ?

REMARQUE : Cette image n'est qu'un exemple. L'étiquette réelle variera légèrement. Lorsque vous demanderez un entretien, vous devrez fournir à votre distributeur agréé le numéro de série, le numéro du modèle et la date de fabrication. Cette information accélérera le processus de vérification de la garantie. Voici un exemple d'étiquette de certification :



BRECKWELL

SERIAL NO. / [Redacted] **N° de série /** [Redacted]

Modèle / Modél: BH3024FP **Certifié / Certifié:** ANSI Z21.88-2017 / CSA 2.33-2017, CSA 2.17-2017, CAN/CSA-P-4.1-2015

Date de Fabrication / [Redacted]

For Natural Gas when equipped with No. 40 drill size orifice, for Propane installation. This appliance is manufactured as natural gas. (See instructions for conversion.)

For use only with barrier Part Number: 611012. Follow installation instructions accompanying the appliance.

REPLACEMENT FAN KIT: Part No. 80709 fan or blower assembly must be used. This vented gas fireplace is not for use with air filters. FOR USE WITH GLASS DOORS CERTIFIED WITH APPLIANCE ONLY.

WARNING: Improper installation, adjustment, alteration, service or maintenance can cause injury or property damage. Refer to the owner's manual for details. This appliance is not convertible for use with other gases, unless a certified kit is used.

This appliance must be installed in accordance with local codes, if any, or the manufacturer's installation instructions. If the vent-air intake system is disassembled for any reason, reinstall per instructions with the manufacturer's installation instructions. If the vent-air intake system must be properly connected to a venting system in accordance with the manufacturer's installation instructions, the vent-air intake system is disassembled for any reason, reinstall per instructions with the manufacturer's installation instructions. If the vent-air intake system must be properly connected to a venting system in accordance with the manufacturer's installation instructions, the vent-air intake system is disassembled for any reason, reinstall per instructions with the manufacturer's installation instructions. If the vent-air intake system must be properly connected to a venting system in accordance with the manufacturer's installation instructions, the vent-air intake system is disassembled for any reason, reinstall per instructions with the manufacturer's installation instructions.

SAFETY BARRIERS: For use only with barrier Part Number: 611012. Follow installation instructions accompanying the appliance.

REPLACEMENT FAN KIT: Part No. 80709 fan or blower assembly must be used. This vented gas fireplace is not for use with air filters. FOR USE WITH GLASS DOORS CERTIFIED WITH APPLIANCE ONLY.

WARNING: Improper installation, adjustment, alteration, service or maintenance can cause injury or property damage. Refer to the owner's manual for details. This appliance is not convertible for use with other gases, unless a certified kit is used.

This appliance must be installed in accordance with local codes, if any, or the manufacturer's installation instructions. If the vent-air intake system is disassembled for any reason, reinstall per instructions with the manufacturer's installation instructions. If the vent-air intake system must be properly connected to a venting system in accordance with the manufacturer's installation instructions, the vent-air intake system is disassembled for any reason, reinstall per instructions with the manufacturer's installation instructions.

REPLACEMENT FAN KIT: Part No. 80709 fan or blower assembly must be used. This vented gas fireplace is not for use with air filters. FOR USE WITH GLASS DOORS CERTIFIED WITH APPLIANCE ONLY.

WARNING: Improper installation, adjustment, alteration, service or maintenance can cause injury or property damage. Refer to the owner's manual for details. This appliance is not convertible for use with other gases, unless a certified kit is used.

This appliance must be installed in accordance with local codes, if any, or the manufacturer's installation instructions. If the vent-air intake system is disassembled for any reason, reinstall per instructions with the manufacturer's installation instructions. If the vent-air intake system must be properly connected to a venting system in accordance with the manufacturer's installation instructions, the vent-air intake system is disassembled for any reason, reinstall per instructions with the manufacturer's installation instructions.

FOYER ENCASTRABLE À GAZ À ÉVACUATION

NATURAL GAS / GAZ À ÉVACUATION

U.S.A.: 0-2,000 ft (0-610 m) **Canada:** 0-4,500 ft (0-1,372 m)

AVERTISSEMENT: Une altération ou non-conformité d'installation, d'entretien, d'ajustement ou de réparation peut causer des blessures et/ou dommages matériels. Voir le manuel d'installation et d'entretien pour de plus amples détails. Cet appareil n'est pas convertible pour fonctionner avec d'autres gaz que le propane.

REPLACEMENT FAN KIT: Part No. 80709 fan or blower assembly must be used. This vented gas fireplace is not for use with air filters. FOR USE WITH GLASS DOORS CERTIFIED WITH APPLIANCE ONLY.

WARNING: Improper installation, adjustment, alteration, service or maintenance can cause injury or property damage. Refer to the owner's manual for details. This appliance is not convertible for use with other gases, unless a certified kit is used.

This appliance must be installed in accordance with local codes, if any, or the manufacturer's installation instructions. If the vent-air intake system is disassembled for any reason, reinstall per instructions with the manufacturer's installation instructions. If the vent-air intake system must be properly connected to a venting system in accordance with the manufacturer's installation instructions, the vent-air intake system is disassembled for any reason, reinstall per instructions with the manufacturer's installation instructions.

REPLACEMENT FAN KIT: Part No. 80709 fan or blower assembly must be used. This vented gas fireplace is not for use with air filters. FOR USE WITH GLASS DOORS CERTIFIED WITH APPLIANCE ONLY.

WARNING: Improper installation, adjustment, alteration, service or maintenance can cause injury or property damage. Refer to the owner's manual for details. This appliance is not convertible for use with other gases, unless a certified kit is used.

This appliance must be installed in accordance with local codes, if any, or the manufacturer's installation instructions. If the vent-air intake system is disassembled for any reason, reinstall per instructions with the manufacturer's installation instructions. If the vent-air intake system must be properly connected to a venting system in accordance with the manufacturer's installation instructions, the vent-air intake system is disassembled for any reason, reinstall per instructions with the manufacturer's installation instructions.

Gas Supply / Pressures and Input Ratings / Pressions De Gaz Et Pressions De Chauffage	
Natural Gas / Gaz	66%
LP Gas / Gaz Propane	69%
Efficiency Per Etiquette per CSA P 4.1-15	69%
Minimum Input Pressure / Pression De Gaz à l'entrée (Min.)	12" WC (2.74 kPa)
Maximum Input Pressure / Pression De Gaz à l'entrée (Max.)	14" WC (3.49 kPa)
Max. Input BTU/h (kW)	27,000 BTU/h (7.9 kW)
Min. Input BTU/h (kW)	14,000 BTU/h (4.1 kW)
Manifold Pressure / Pression de chauffage (Min.)	13,000 BTU/h (3.8 kW)
Manifold Pressure / Pression de chauffage (Max.)	11.0 WC (2.74 kPa)
Orifice Size (DMS) / Dimension de grille (DMS)	#40
Total Electrical Requirements: 120VAC, 60 Hz, less than 5 amperes / Alimentation électrique totale requise: 120V, 60 Hz, moins de 5 ampères.	
Minimum Appliance Clearance To Combustibles / Débaras Minimum De L'appareil Aux Matériaux Combustibles	
From appliance top stand-off / Des grilles de déparquet supérieur du foyer à l'encastrement	0"
From appliance left and right stand-offs / Aux étiers déparquet latéraux et droits du foyer	0"
From appliance back stand-off / Aux étiers déparquet arrière de l'appareil	0"
From appliance corners / À chaque coin du foyer	14"
From appliance front / From appliance top to ceiling / Dessus du foyer au plafond	36"
From appliance top to ceiling / Dessus du foyer au plafond	51"
From appliance top to ceiling / Dessus du foyer au plafond	914 mm
From appliance top to ceiling / Dessus du foyer au plafond	149 mm
From appliance top to ceiling / Dessus du foyer au plafond	1265 mm
From appliance top to ceiling / Dessus du foyer au plafond	254 mm
From appliance top to ceiling / Dessus du foyer au plafond	10"

Minimum Appliance Clearance To Combustibles / Débaras Minimum De L'appareil Aux Matériaux Combustibles	
From appliance top stand-off / Des grilles de déparquet supérieur du foyer à l'encastrement	0"
From appliance left and right stand-offs / Aux étiers déparquet latéraux et droits du foyer	0"
From appliance back stand-off / Aux étiers déparquet arrière de l'appareil	0"
From appliance corners / À chaque coin du foyer	14"
From appliance front / From appliance top to ceiling / Dessus du foyer au plafond	36"
From appliance top to ceiling / Dessus du foyer au plafond	51"
From appliance top to ceiling / Dessus du foyer au plafond	914 mm
From appliance top to ceiling / Dessus du foyer au plafond	149 mm
From appliance top to ceiling / Dessus du foyer au plafond	1265 mm
From appliance top to ceiling / Dessus du foyer au plafond	254 mm
From appliance top to ceiling / Dessus du foyer au plafond	10"

ENERGUIDE	
Gas Fireplace Energy Efficiency Rating / Cote énergétique des foyers à gaz	65%
Based on CSA P 4.1-15 / Basé sur la norme CSA P 4.1-15	
Gas Fireplace Energy Efficiency Rating / Cote énergétique des foyers à gaz	66%
Based on CSA P 4.1-15 / Basé sur la norme CSA P 4.1-15	

ENERGUIDE	
Gas Fireplace Energy Efficiency Rating / Cote énergétique des foyers à gaz	66%
Based on CSA P 4.1-15 / Basé sur la norme CSA P 4.1-15	
Gas Fireplace Energy Efficiency Rating / Cote énergétique des foyers à gaz	69%
Based on CSA P 4.1-15 / Basé sur la norme CSA P 4.1-15	

Canal

Horizontal pipe top surface / Surface horizontale du tuyau horizontal	3"
Vertical pipe left and right surfaces / Surfaces du tuyau vertical de tous les côtés	1"
Horizontal pipe top and bottom surfaces / Surfaces horizontales et surfaces inférieures du tuyau horizontal	1"
Horizontal pipe top surface / Surface horizontale du tuyau horizontal	7/8"

Canal

Horizontal pipe top surface / Surface horizontale du tuyau horizontal	3"
Vertical pipe left and right surfaces / Surfaces du tuyau vertical de tous les côtés	1"
Horizontal pipe top and bottom surfaces / Surfaces horizontales et surfaces inférieures du tuyau horizontal	1"
Horizontal pipe top surface / Surface horizontale du tuyau horizontal	7/8"

QUE SE PASSE-T-IL LORS DU PREMIER ALLUMAGE ?

Il y a une période de polymérisation. Cela peut inclure une petite quantité de fumée et une odeur. C'est tout à fait normal. Étapes de polymérisation :

- Étape 1 : Expulsion de la fumée et des odeurs initiales
- Terminez l'installation des panneaux latéraux, frontaux ou de sécurité.
- Allumez le thermostat en mode manuel (« Off »).
- Régulez la hauteur de la flamme à « Hi ».
- Régulez la hauteur de la flamme à « Hi ».
- Régulez la commande de vitesse du ventilateur à « Off ».
- Lancez l'appareil avec ces réglages pendant 8 heures sans arrêt, jusqu'à ce que les odeurs aient diminué.
- Lorsque les odeurs ont diminué, laissez sécher et poursuivez de la façon suivante.
- Régulez la commande de vitesse du ventilateur au niveau 1.
- Si vous détectez d'autres odeurs de polymérisation, laissez fonctionner l'appareil avec ces réglages jusqu'à ce que les odeurs de polymérisation aient diminué.

ATTENTION : Il est important que les souffleurs soient en route au cours de cette étape pour empêcher la fumée de séchage de tacher les finitions murales environnantes. Complétez l'étape 1 avant l'installation des matériaux de finition murale. Une fumée visible et une odeur sont attendues au cours de cette étape. Si vous le souhaitez, désactivez les détecteurs de fumée avant cette étape. La fumée de la polymérisation initiale peut déclencher les détecteurs de fumée. Ouvrez les portes et les fenêtres pour faire circuler l'air frais.

ATTENTION : De légères odeurs peuvent encore être perceptibles lors des démarrages suivants. Elles vont diminuer au fil du temps lors des utilisations ultérieures.

Instructions De Premier Allumage

ATTENTION : Si vous ne respectez pas scrupuleusement ces instructions, une explosion pourrait causer des dommages à la propriété, des blessures et même la mort.

- ATTENTION : QUE FAIRE SI VOUS DÉCELEZ UNE ODEUR DE GAZ?
- N'allumez en aucun cas le foyer.
 - Ne touchez aucun interrupteur.
 - N'utilisez aucun téléphone dans le bâtiment.
 - Rendez-vous chez votre voisin et appelez votre fournisseur de gaz.
 - Suivez les instructions du représentant du fournisseur.
 - Si vous n'arrivez pas à joindre votre fournisseur de gaz, appelez le service d'incendie pour obtenir de l'aide.

INFORMATION DE SÉCURITÉ

- Ce foyer est équipé d'un dispositif d'allumage qui allume automatiquement la veilleuse. N'essayez pas d'allumer la veilleuse à la main.
- Avant utilisation, sentez dans toute la zone pour détecter les odeurs de gaz. N'oubliez pas de sentir près du sol, car certains gaz sont plus lourds que l'air et se déposent au sol.
- Basculez l'interrupteur principal sur la position « marche ». Les brûleurs ne s'allumeront pas sauf si l'interrupteur est sur la position « marche ».
- Utilisez uniquement la télécommande fournie pour allumer la veilleuse. Cette vanne ne fonctionnera pas si la veilleuse n'est pas allumée et stable.
- N'utilisez pas l'appareil si l'un des composants a été immergé. Appelez immédiatement un technicien qualifié pour inspecter l'appareil et remplacer tout composant ayant été plongé sous l'eau. Tenter un fonctionnement peut provoquer un incendie ou une explosion entraînant des dommages matériels, des blessures et la mort.

INSTRUCTIONS DE FONCTIONNEMENT

1. Lisez attentivement les consignes ci-dessus avant de procéder.
2. N'essayez pas d'allumer la veilleuse à la main ; la porte doit rester sur ce foyer lors de l'allumage de la veilleuse, à l'exception du premier allumage.
3. Appuyez sur le bouton marche/arrêt de la télécommande pour commencer la séquence d'allumage.
4. Vous entendrez un bip et l'amorçeur va commencer à faire des étincelles. Après l'allumage et la stabilisation de la veilleuse, la vanne va s'ouvrir automatiquement et le brûleur va s'allumer. Le brûleur va s'allumer initialement à pleine flamme. Adaptez-la à un environnement attirant avec la télécommande (voir les « instructions de fonctionnement de la télécommande » du présent manuel).
5. Appuyez une nouvelle fois sur le bouton marche/arrêt de la télécommande pour démarrer la séquence d'allumage.
6. Si cela ne fonctionne pas, suivez la rubrique « Arrêter l'appareil » des instructions et appelez votre fournisseur de gaz ou le technicien d'entretien.

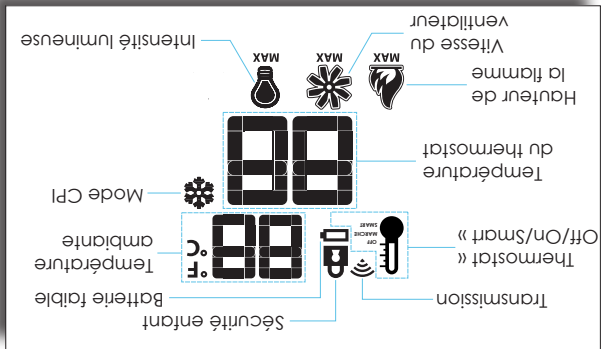
ATTENTION : Si la veilleuse ne s'allume pas, le système va se « verrouiller ». Appuyez sur le bouton marche/arrêt de la télécommande pour éteindre le système. Laissez le gaz se dissiper pendant cinq minutes avant de tenter de rallumer la veilleuse.

ARRÊTER L'APPAREIL

1. Appuyez sur le bouton « On/Off » de la télécommande.
2. Fermez la vanne d'arrêt manuel externe fournie par l'installateur et montée sur le côté du foyer.
3. Coupez l'alimentation électrique du foyer si un entretien doit être effectué.

COMPRENDRE LES ICONES DE VOTRE TÉLÉCOMMANDE

Voire télécommande affiche et contrôle les fonctions suivantes. Voir ci-dessous les explications détaillées de l'icône contrôle.

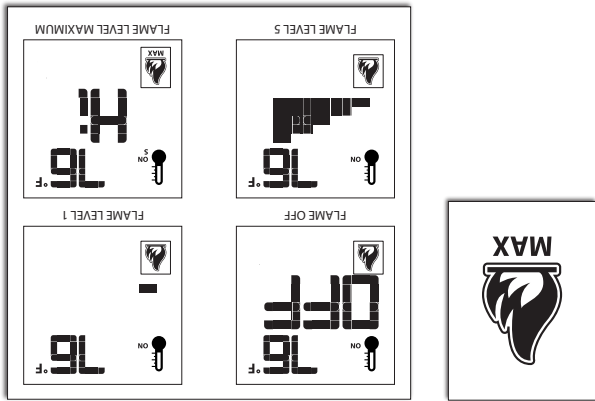


DÉTAILS DE L'ICÔNE

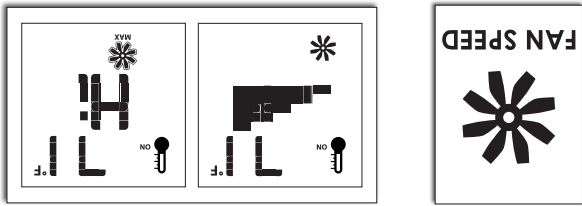
Bouton de mode : On utilise ce bouton du mode pour basculer entre les différentes fonctions disponibles : la hauteur de flamme, la vitesse du ventilateur, la luminosité et l'allumage du brûleur arrière.



Hauteur de la flamme : Six niveaux de flamme sont disponibles. Quand l'icône de hauteur de flamme est affichée, appuyer sur le bouton flèche va augmenter ou diminuer la hauteur de la flamme du niveau 1 au niveau 6. Si la hauteur de la flamme est au niveau 1 et qu'on appuie sur le bouton, tous les brûleurs vont s'éteindre. En mode CPI, la veilleuse va rester allumée. REMARQUE : En mode thermostat intelligent, le réglage manuel de la hauteur de flamme n'est pas disponible. En mode thermostat intelligent, la hauteur de flamme se régle automatiquement.



Régulateur de vitesse du ventilateur : La vitesse du ventilateur est réglable sur 6 vitesses et l'arrêt. Pour activer cette fonction, appuyez sur le bouton « Mode » jusqu'à ce qu'il affiche l'icône du ventilateur. Utilisez le bouton flèche pour allumer, éteindre le ventilateur ou régler sa vitesse. Une fois que vous avez réglé le ventilateur sur la vitesse souhaitée, le système s'en souvient tant que vous ne la modifiez pas manuellement.



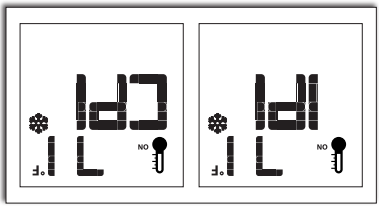
MODES IPL ET CPI

Les fonctions de veilleuse intermittente (IPI) et veilleuse continue (constante) (CPI) allument d'abord une veilleuse puis l'utilisent pour rester indéfiniment allumée en plaçant la télécommande en mode CPI (« Continuous Pilot Ignition ») pour permettre à la veilleuse de CPI. Si la télécommande est réglée sur le mode IPI (« Intermittent Pilot Ignition »), seule la veilleuse va s'allumer et le rester tant que les brûleurs principaux fonctionnent.

Mode IPI : Ce mode arrête la veilleuse lorsque l'appareil n'est pas en cours d'utilisation et allume seulement la veilleuse lorsque la télécommande fait un appel de chaleur. Mode CPI : S'il est en mode CPI, la veilleuse va s'enflammer et rester allumée en permanence.

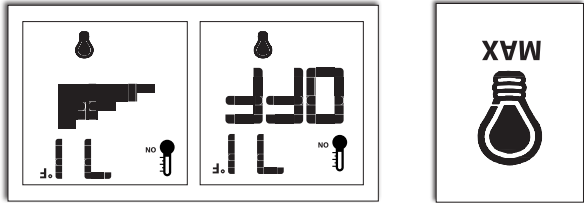
PASSER EN MODE IPI OU CPI

Avec la télécommande à l'arrêt, appuyez sur le bouton MODE. Vous verrez « CPI » ou « IPI » s'afficher à l'écran. Appuyez sur la flèche dirigée vers le haut pour passer en mode « CPI » et appuyez sur la flèche dirigée vers le bas pour passer en mode « IPI ». Une fois sur la position désirée, appuyez sur la touche « On/Off » pour activer. Recommandé : Restez en mode CPI. Bien que cela ne soit pas obligatoire, cela permet de garder la cheminée chauffée pour un tirage ascendant approprié lors de l'allumage du brûleur, et éliminera également la condensation excessive des vapeurs d'échappement sur la vitre. REMARQUE : L'icône de flocon de neige va toujours s'afficher sur l'écran en mode CPI.



Laisser en mode CPI va préserver la chaleur du corps et éliminer les courants d'air froids et les pertes de chaleur en contact de l'air froid coincé à l'intérieur de la boîte à combustion.

Éclairage d'accentuation : Cette fonction contrôle les fonctions de l'éclairage d'accentuation. Appuyez sur le bouton du haut dans ce mode va allumer l'éclairage d'accentuation et vous permettre de contrôler les 6 niveaux d'intensité. Une fois que vous avez réglé le niveau d'éclairage souhaité, le système s'en souvient tant que vous ne le modifiez pas manuellement.

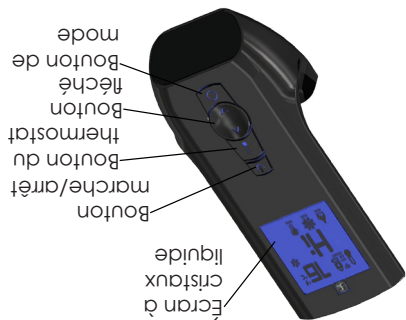
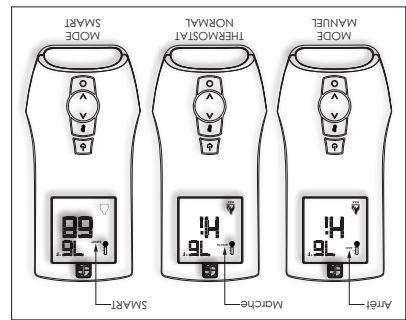


FONCTIONS DE LA TÉLÉCOMMANDE

REMARQUE : Vous entendrez un bip chaque fois que vous appuyerez sur un bouton de la télécommande, cela indiquera que la commande a été reçue. Localisez les quatre touches de la

1. Bouton marche/arrêt : Ce bouton allume et éteint le foyer. Lorsqu'on enfonce le bouton et que le système est éteint, la veilleuse s'allume. Après l'allumage de la veilleuse, cette dernière allume les brûleurs principaux. Voir les modes IPI et CPI du présent manuel pour l'allumage de la veilleuse.
2. Bouton de thermostat : Ce bouton permet de sélectionner trois modes. Manuel, thermostat normal et thermostat intelligent. REMARQUE : Le foyer s'éteint automatiquement après 12 heures d'utilisation continue.
- a. Manuel (« Off ») : Dans ce mode, on peut allumer le foyer, quelle que soit la température de la pièce. Dans ce mode, la température ambiante réelle n'a aucun effet. Toutes les autres fonctions comme la commande de vitesse du ventilateur, le contrôle de la hauteur de flamme et les commandes d'intensité lumineuse sont contrôlables manuellement.

- b. Thermostat normal (« On ») : Il s'allume et s'éteint automatiquement en fonction de la température que vous définissez. Lorsque vous réglez le thermostat, il continue jusqu'à ce que la température ambiante augmente de 1°F au-dessus de la température réglée sur le thermostat. Pour augmenter la température du thermostat, appuyez sur le bouton du haut jusqu'à ce que la température désirée s'affiche dans la fenêtre du thermostat. Le ventilateur se met en marche 5 minutes après le démarrage et s'éteint 12-1/2 minutes après que les flammes s'éteignent. On peut régler la hauteur de flamme en cours d'utilisation, et la vitesse du ventilateur peut être ajustée 5 minutes après le démarrage. On peut régler la lumière d'accoutumance à n'importe quel moment après le démarrage.
- c. Thermostat intelligent (« Smart ») : Ce mode permet de maintenir la température de la pièce et la hauteur de flamme s'ajuste automatiquement pour fournir une chaleur constante et efficace. Toutes les autres fonctions du mode normal sont permises, sauf le réglage de la hauteur de flamme. Le réglage manuel de la hauteur de flamme n'est pas autorisé dans ce mode. La fonction de thermostat intelligent permet d'ajuster la hauteur de la flamme selon la différence entre la température programmée et la température ambiante réelle. Quand la température de la pièce se rapproche de la température programmée, le thermostat intelligent réduit automatiquement la flamme.



3. Bouton haut/bas : Ce bouton est utilisé pour augmenter ou diminuer la température du thermostat, la vitesse du ventilateur et l'intensité lumineuse.
4. Bouton de sélection de mode : On utilise cette touche pour basculer entre les différentes icônes de fonction : la hauteur de flamme, la vitesse du ventilateur, la luminosité et le brûleur arrière (sur certains modèles).

REDAIRAGE AUTOMATIQUE DE SÉCURITÉ

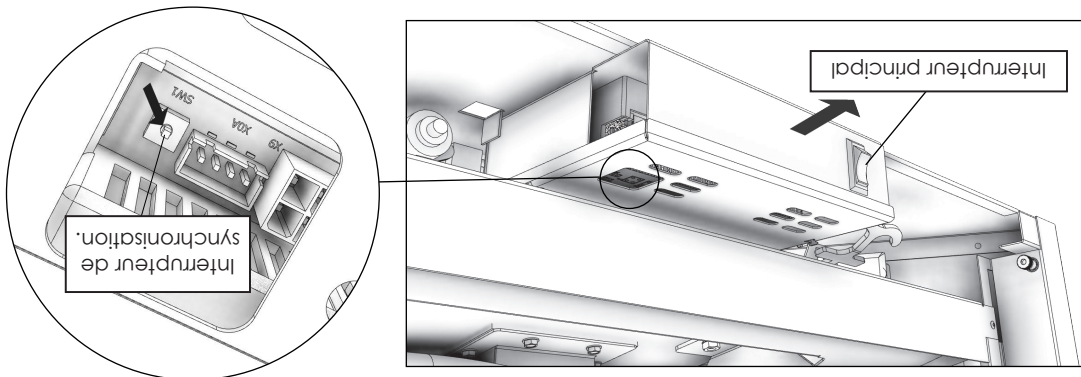
Ce système va exécuter une commande d'arrêt automatique dans les 24 heures d'un fonctionnement permanent de la veilleuse. Cela permet au système de vérifier les fonctions de sécurité. Une fois la séquence d'arrêt terminée, le module d'allumage relance la dernière commande.

FONCTION D'ALLUMAGE

5. Appuyez sur le bouton marche/arrêt. La télécommande affiche toutes les icônes actives sur l'écran.
6. Sélectionnez le mode thermostat en appuyant sur le bouton du thermostat : « Off » (manuel), « On » (thermostat normal) ou « Smart » (thermostat intelligent).
- a. Si l'icône de thermostat affiche « Off » (manuel), il va s'allumer et démarrer sur « Hi » (fort).
- b. Si l'icône du thermostat affiche « On » (thermostat normal), il va s'allumer seulement si la température du thermostat est supérieure à la température ambiante.
- c. Si l'icône du thermostat affiche « SMART » (thermostat intelligent), il va s'allumer seulement si la température du thermostat est supérieure à la température ambiante.

FONCTION D'ARRÊT

Appuyez sur le bouton marche/arrêt.



SYNCHRONISATION DE LA TÉLÉCOMMANDE

1. Basculez l'Interrupteur principal sur la position « ON » (Vers le haut). Les brûleurs ne s'allumeront pas sauf si l'Interrupteur est sur la position « marche ».
2. Repérez l'Interrupteur de synchronisation sur le module d'allumage. C'est le bouton rouge situé sur le module d'allumage marqué «SW1». Appuyez sur le bouton de synchronisation, puis relâchez-le. Le module émet 3 bips indiquant qu'il est prêt à se synchroniser avec une télécommande. REMARQUE : Si vous n'entendez aucun bip lorsque vous appuyez sur le bouton de synchronisation, contactez votre revendeur ou votre installateur.
3. Dans les 7 secondes qui suivent, appuyez sur le bouton « ON » de la télécommande. Le foyer émet un bip pour indiquer que la télécommande est acceptée et définit le code de ce contrôleur.

L'Interrupteur principal se trouve en bas à gauche. Suivez les étapes ci-après pour synchroniser. Votre télécommande est préprogrammée. Assurez-vous d'avoir installé 3 piles AAA dans votre télécommande. Appuyez sur le bouton du haut de la télécommande. Si vous n'entendez pas un bip lorsque vous appuyez sur ce bouton, suivez les instructions ci-dessous pour synchroniser votre foyer et la télécommande.

UTILISATION DE VOTRE TÉLÉCOMMANDE

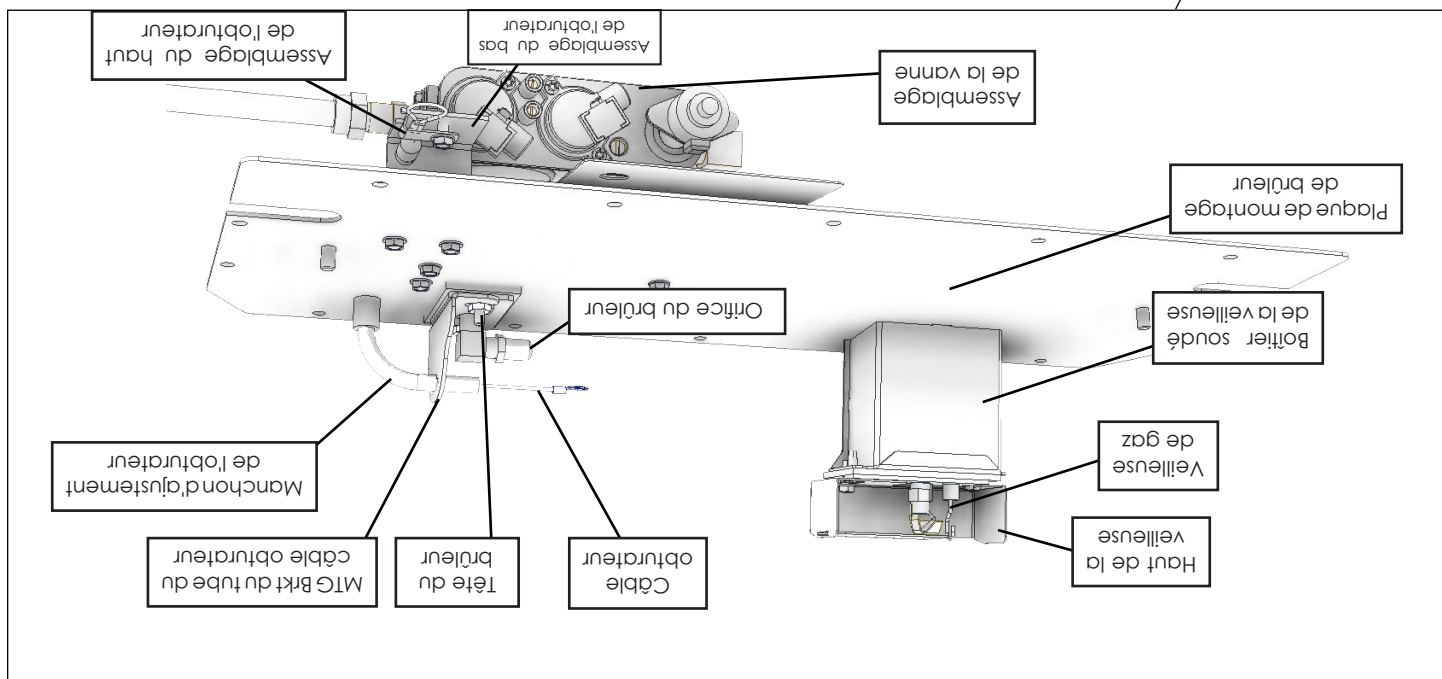
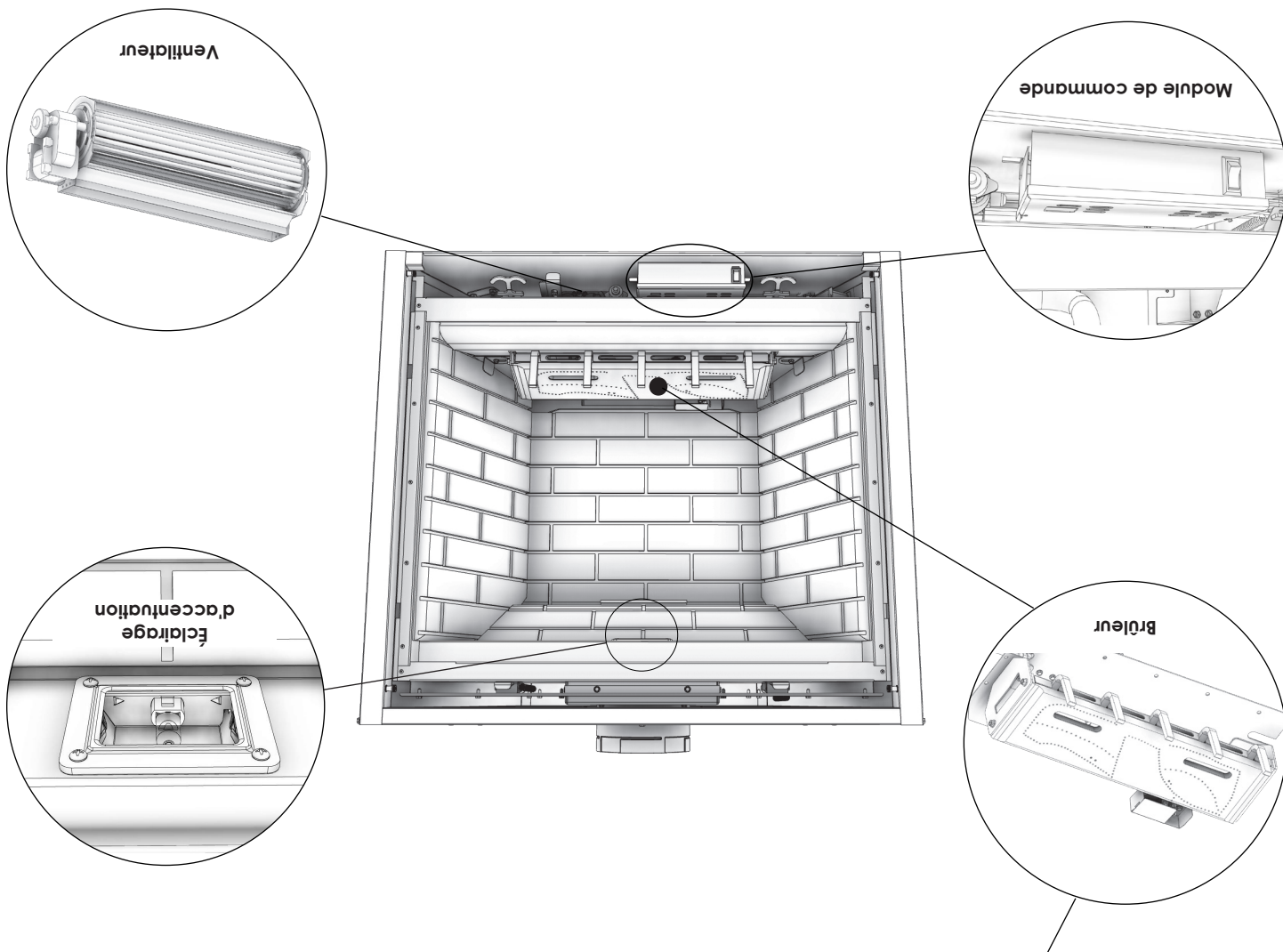
Informations Opérationnelles

- Tous les éléments de la liste de contrôle doivent être cochés.
- Les fuites et les pressions de gaz ont été vérifiées avant l'installation des matériaux de revêtement.
- La télécommande contient des piles neuves. Suivez les « instructions de premier allumage » pour synchroniser la télécommande et le module d'allumage.
- L'ouverture de l'obturateur d'air de 0 à 1/4 po pour le gaz naturel et de 1/4 à 1/2 po pour le GPL a été vérifiée.
- Toutes les instructions d'installation de l'éclairage et des bûches ont été respectées.
- Les brûleurs s'allument immédiatement et la flamme se lance tout de suite autour du brûleur et allume la totalité de ce dernier. REMARQUE : Ne faites pas fonctionner l'appareil tant que le brûleur passe sans délai de la position marche à arrêt.
- La flamme est « stable » et ne se « décolle » pas du brûleur. Si la flamme se décolle du brûleur, mettez hors tension et vérifiez que tous les tuyaux de ventilation sont verrouillés (« twist locked ») et qu'il n'y a pas de fuite, que le chapeau d'évent est à l'endroit, et que du mastic à 1000°F a été utilisé sur les joints du tube internes de toutes les sections du conduit DuraVent. Ne faites pas fonctionner l'appareil si la flamme du brûleur se « soulève ».

Liste De Contrôle De L'allumage

- Tous les éléments de la liste de contrôle doivent être cochés.
- Le tuyau rigide coaxial de l'évent, le chapeau d'évent mural ou d'évent de toiture est installé par un technicien agréé, conformément aux instructions.
- Tous les joints sont fixés, verrouillés (« twist-locked ») et étanches. On a utilisé du mastic à 1000° sur les joints du tuyau interne de toutes les sections du conduit DuraVent.
- Le chapeau d'évent horizontal ou vertical est installé le « bon côté vers le haut » et hermétique pour la structure, selon les instructions. Les chapeaux d'évent sont approuvés.
- Les dégagements intérieurs et extérieurs appropriés aux systèmes d'évent et les emplacements des chapeaux d'évent muraux ou de toiture sont respectés.
- La bonne pression de gaz, la bonne dimension des conduites de gaz et les fuites de gaz ont été vérifiées.
- L'alimentation électrique de 120 V et l'alimentation en gaz sont installées selon les instructions et les codes locaux et nationaux.
- Les sections télescopiques ne sont pas dissociées. Elles ont été utilisées en tant qu'ensembles complets.
- La porte vitrée est en position fermée et centrée sur l'ouverture de la boîte à combustion.

Liste De Contrôle D'installation



Pièces De Rechange Et Entretien

SURCHAUFFE DU BRÛLEUR

Ne jamais ajuster la pression de gaz en « surchauffe » ou percer l'orifice pour augmenter les BTU/h au-delà des spécifications. Une surchauffe peut causer des dommages permanents à la boîte à combustion et détériorer des pièces, et annuler la garantie.

MAINTENIR LA BONNE FLAMME DE VEILLEUSE, PANNE DE VEILLEUSE ET RALLUMAGE

La flamme de la veilleuse doit être vérifiée par un technicien qualifié au cours de l'installation initiale et chaque année par la suite. Ce foyer utilise une technologie de rectification de la flamme. Si la veilleuse est tournée trop bas vers le bas, le détecteur de flamme ne déclenche pas la flamme de la veilleuse et la veilleuse ne pourra pas rester allumée. N'abaissez pas la flamme de la veilleuse. La tige du détecteur de flamme peut être recouverte de débris après quelques mois d'utilisation. Il est important de nettoyer la tige de détecteur de flamme à l'aide de toile émeri en cas de dysfonctionnement de la flamme après quelques mois d'utilisation. Des facteurs environnementaux hors du contrôle de Breckwell peuvent provoquer un dysfonctionnement de la flamme.

COMMENT ACCÉDER AUX COMPOSANTS

Les descriptions ci-dessous indiquent où se trouvent les principaux composants et comment y accéder pour l'entretien. Les descriptions montrent comment accéder aux composants après l'installation. Tous les composants sont également accessibles depuis l'extérieur du foyer avant l'installation.

Veilleuse : La veilleuse se trouve dans le coin arrière gauche de la boîte à combustion, derrière le brûleur.

Vanne de gaz : La vanne de gaz principale se trouve dans la cavité basse de la boîte à combustion.

Assemblage complet de la vanne : Pour faciliter le travail sur les composants, ce foyer a été conçu avec la vanne, la veilleuse, les câbles obturateurs, les câbles obturateurs et les conduites de gaz en tant que pièces d'un assemblage pouvant être retirées.

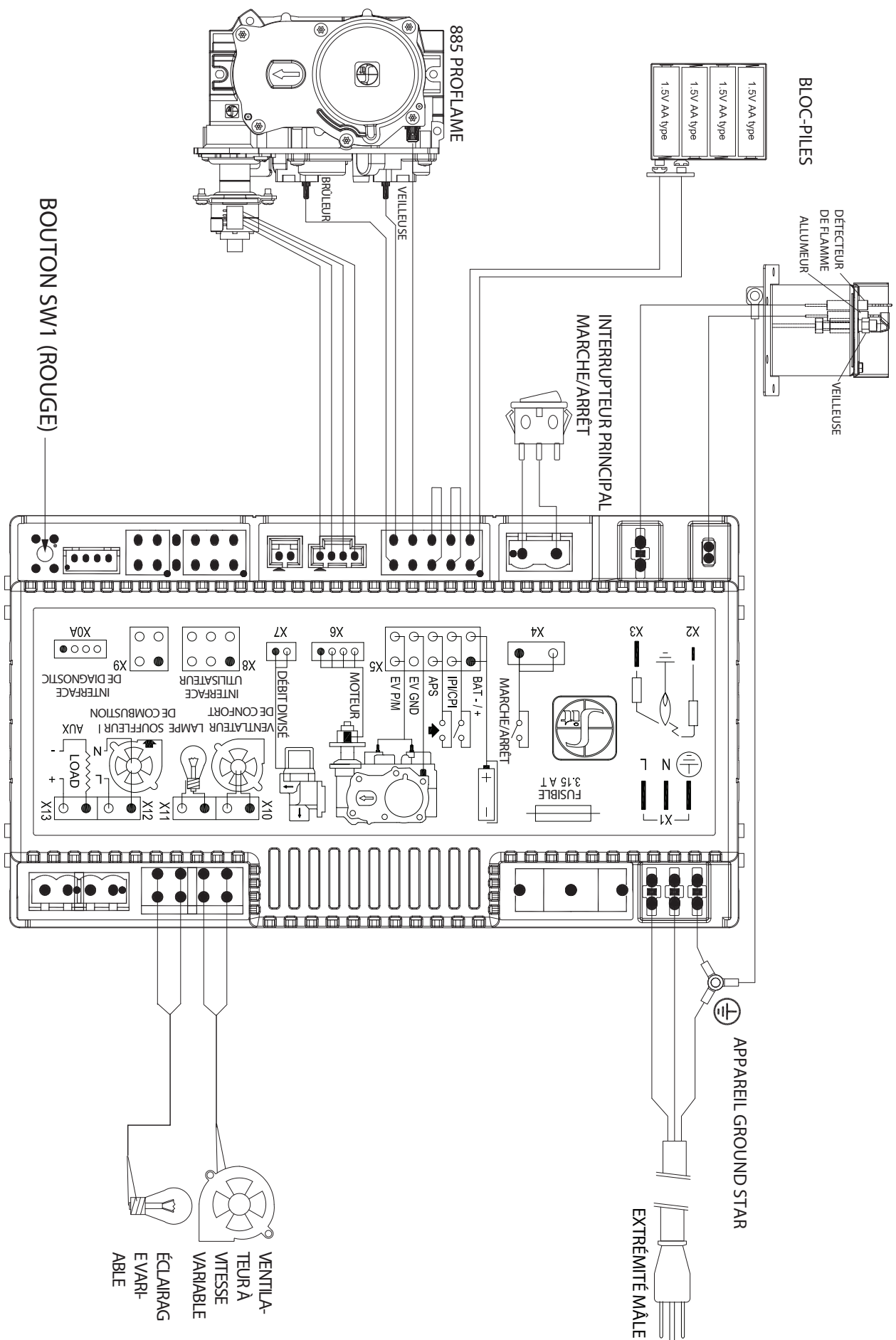
Module de commande de l'allumage : Le module de commande de l'allumage est monté dans la cavité inférieure à l'avant de la vanne de gaz. Le module de commande d'allumage est installé dans une boîte sur le plancher et muni d'un interrupteur ON/OFF.

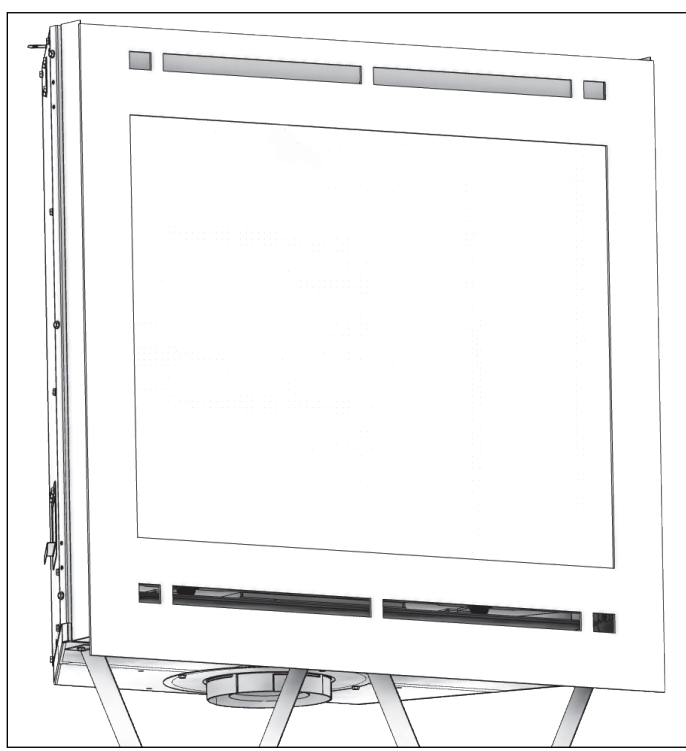
Ventilateur de convection : Le ventilateur de convection est monté sur la paroi arrière de la boîte à combustion, derrière le module de commande.

Éclairage d'accentuation : L'éclairage d'accentuation est monté dans la zone centrale de la partie supérieure de la boîte à combustion.

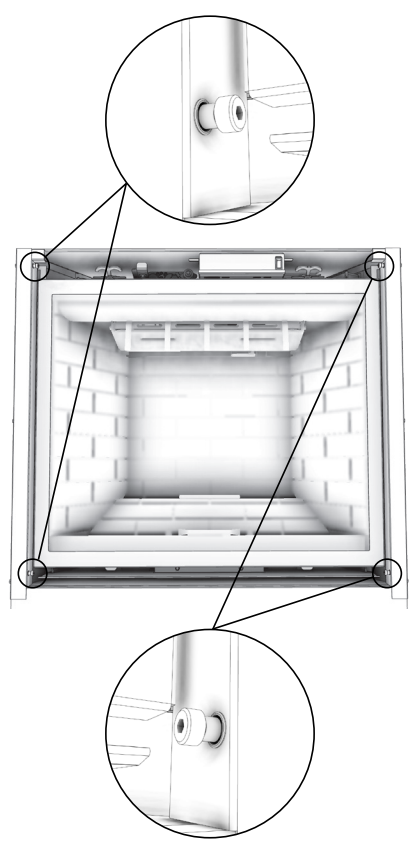
610770	Assemblage du boîtier du module de commande	1
28786	Couvercle du boîtier électrique	1
610769	Ensemble de module de contrôle	1
80763	Faisceau de câbles ifc, pas de commutateur CPl	1
80772	Harnais d'interrupteur on / off IFC, 4 PO	1
80649	Fil de terre	1
80773	Harnais ventilateur / lumière IFC, 1,50 PO	1
C42373	Interrupteur à bascule	1
28785	Boîte électrique	1
610778	Plaque de brûleur	1
81297	Pilote de gaz	1
893032	Vanne à bille on / off	1
610803	Assemblage de retenue de journal	1
80761	9v boîte de batterie	1
892977	Tube d'entrée	1
80762	Assis émetteur (à distance) (sit # 0.584.040)	1

Part #	Description	Qty
28402	Étagère de brûleur	1
28577	Support du panneau inférieur gauche	1
28797	Support de panneau inférieur droit	1
28909	Passer à travers la couverture	1
610771	Ensemble de brûleur peint	1
80775	Assemblage lumineux haute température	1
80766	Amplifieur de base g9	1
86892	Collier de démarrage 6-5 / 8 " (81001372)	1
86893	Capot inférieur, 4 » (810014060)	1
88287	Joint d'échappement	2
88293	Joint de collet d'admission	2
88294	Joint de plaque de brûleur	1
88307	Joint léger	1
88309	Passer à travers le joint	2
610759	Assemblage de cadre de porte en verre	1
610892	Ensemble de ventilateur	1
80709	Ventilateur	1

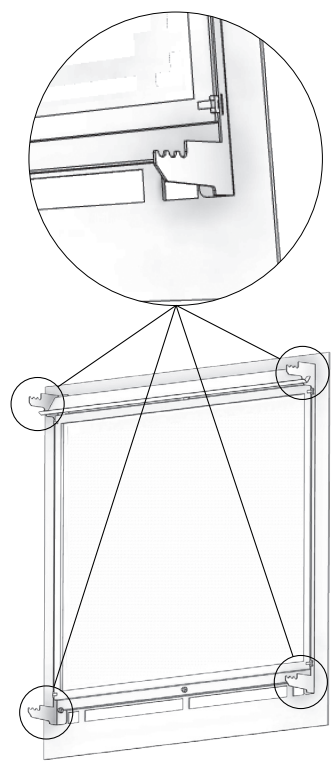




6. Reposez les quatre bras de la barrière de sécurité sur les quatre boulons à épaulement. En fonction du matériau de parement, le bras repose dans l'une des trois positions. Lorsque vous placez la barrière de sécurité sur l'appareil, assurez-vous que les quatre bras reposent dans la même position. Une fois que la barrière de sécurité repose correctement sur les boulons à épaulement dans la position correcte, faites-la glisser vers la gauche ou la droite selon vos besoins jusqu'à ce qu'elle soit centrée sur l'unité.



5. Localisez les quatre boulons à épaulement sur l'ouverture avant de l'unité, comme indiqué.



4. Localisez les quatre bras de la barrière de sécurité comme indiqué.

Feuille d'instructions d'installation avant

INFORMATION SUR LA BARRIÈRE DE SÉCURITÉ

AVERTISSEMENT:

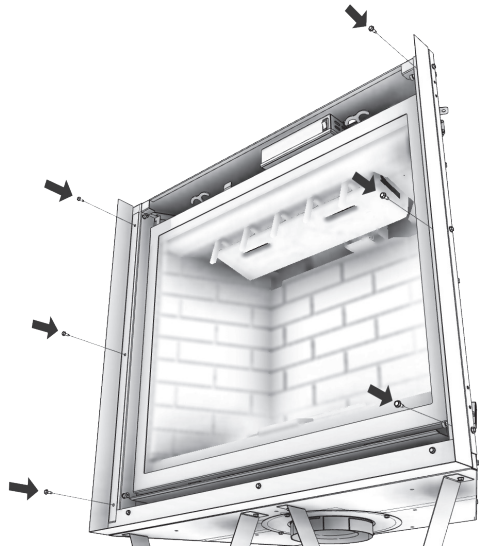
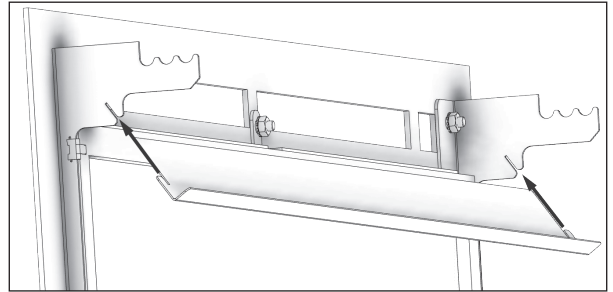
UNE BARRIÈRE CONÇUE POUR RÉDUIRE LES RISQUES DE BRÛLURES PROVENANT DE LA VITRE CHAUDE EST FOURNIE AVEC CET APPAREIL ET DOIT ÊTRE INSTALLÉE POUR PROTÉGER LES ENFANTS ET AUTRES PERSONNES À RISQUE. SI LA BARRIÈRE EST ENDOMMAGÉE, ELLE DOIT ÊTRE REMPLACÉE PAR UNE BARRIÈRE PROVENANT DU FABRICANT DE CET APPAREIL. SEULES DES BARRIÈRES HOMOLOGUÉES DOIVENT ÊTRE UTILISÉES AVEC L'APPAREIL.

IMPORTANT:

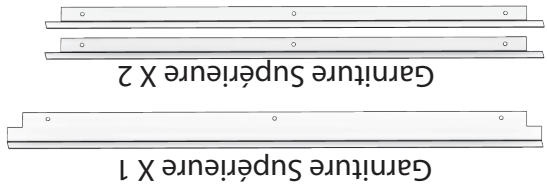
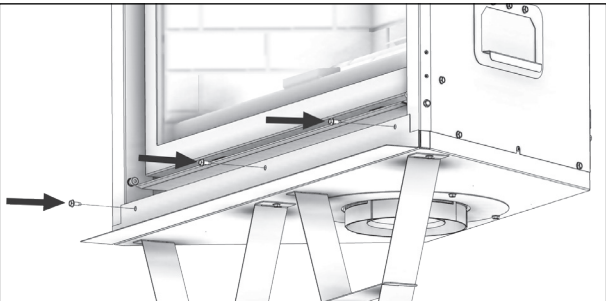
TENIR COMPTE DE LA HAUTEUR DU MATÉRIAU DE FINITION DE L'ÂTRE LORS DE LA CONSTRUCTION D'UNE PLATEFORME. L'INSTALLATION ADEQUATE DE BARRIÈRES DE SÉCURITÉ AVEC CHEVAUCHEMENT EXIGE QUE LE BAS DU Foyer SOIT DE NIVEAU AVEC L'ÂTRE FINI.

Ne pas utiliser cet appareil sans barrière de sécurité. Seules des barrières de sécurité homologuées doivent être utilisées avec l'appareil.

1. Insérez le cache de la vue dans les fentes sur les bras inférieurs de la barrière de sécurité.



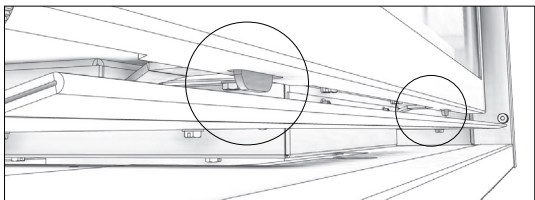
3. Alignez la garniture latérale contre le côté de l'unité, comme indiqué et fixez-la à l'aide de trois (3) vis n ° 10-32 X .500. Répétez cette étape pour l'autre côté de l'appareil.



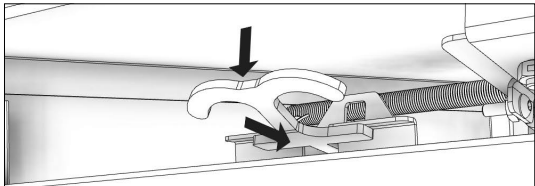
2. Une ligne la garniture supérieure au ras de la partie supérieure de l'unité. Utilisez trois (3) vis n ° 10-32 X .500 pour fixer en place. REMARQUE: La garniture supérieure est plus longue que les deux garnitures latérales.

INSTALLATION DU CADRE VITRE

1. Alignez les encoches en haut de la vitre par-dessus les languettes se trouvant en haut de la boîte à combustion tout en abaissant la partie inférieure de la vitre en position. REMARQUE : Vous devrez peut-être incliner la vitre pour que les loquets accrochent correctement la vitre.



2. Tirez les loquets à ressorts vers l'extérieur et vers le haut pour libérer le bas du foyer.



Information Sur La Barrière De Sécurité

ATTENTION : Une barrière conçue pour réduire les risques de brûlures provenant de la vitre chaude est fournie avec cet appareil et doit être installée pour protéger les enfants et autres personnes à risque. Si la barrière est endommagée, elle doit être remplacée par une barrière provenant du fabricant de cet appareil. Seules des portes homologuées doivent être utilisées avec l'appareil.

ATTENTION : Tenir compte de la hauteur du matériau de finition du foyer lors de la construction de la plateforme. L'installation de barrières de sécurité avec chevauchement exige le bas du foyer soit de niveau avec l'âtre fini. Pour les instructions d'installation, reportez-vous à « installations de la barrière de sécurité ».

Ne pas utiliser ce foyer sans barrière de sécurité. Seules des barrières de sécurité homologuées doivent être utilisées avec l'appareil.

Barrières de sécurité homologuées
611012

Panneau De Contrôle

Si le brûleur et/ou la veilleuse ont été allumés, utilisez une protection appropriée pour éviter les brûlures ou des dommages aux biens personnels avant de retirer un composant.

ATTENTION : Vérifiez tous les raccords de gaz à l'eau savonneuse pour voir s'il n'y a pas de fuite, qu'elle ait été faite sur site ou en usine.

Informations Électriques

CARACTÉRISTIQUES ÉLECTRIQUES

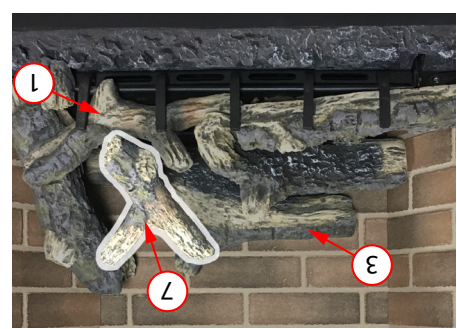
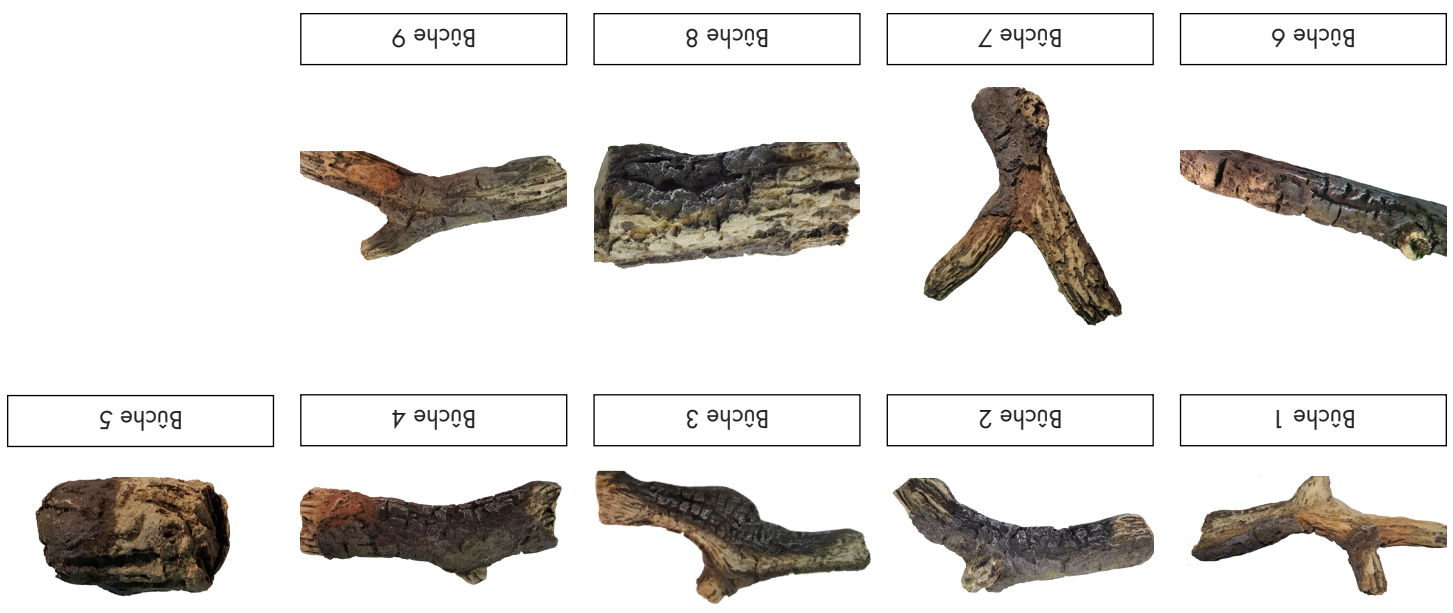
Après installation, ce foyer doit être mis à la terre conformément aux codes locaux, ou en l'absence de code, avec le National Electrical Code, ANSI/NFPA 70, ou le Code de l'électricité du Canada, CSA C22.1.

EXIGENCES DE CÂBLAGE

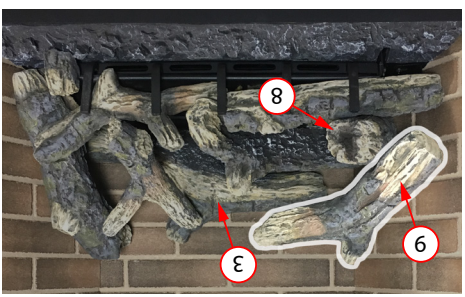
- Le module d'allumage nécessite une tension 120 volts d'électricité et/ou de piles pour fonctionner.
- La batterie de secours fera fonctionner uniquement le brûleur.
- Ventilateur optionnel et les composants lumineux ne fonctionneront pas sur l'alimentation de secours.

ATTENTION : Ne pas utiliser si l'un des composants a été immergé. Communiquez immédiatement avec un technicien qualifié afin qu'il procède à l'inspection et, si nécessaire, qu'il remplace toute pièce du système de contrôle ou commande de gaz ayant été immergée dans l'eau.

ATTENTION : Instructions de mise à la terre : Ce foyer est équipé d'une fiche à trois broches (de mise à la terre) pour votre protection contre les risques d'électrocution et doit être branché directement sur une prise à trois broches correctement reliée à la terre. Ne pas couper ou retirer la broche de mise à la terre de cette fiche.



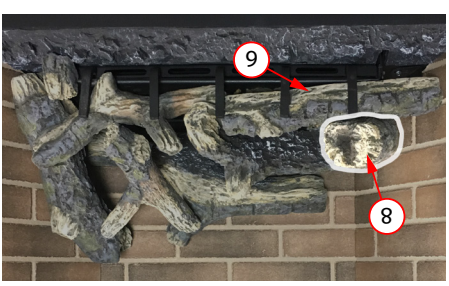
9. Placez le journal (7) sur le journal (1). Bûche (7) reposera sur bûche (3) comme indiqué.



11. Placez le journal (9) sur le journal (8). Log (9) reposera sur log (3) comme indiqué.



8. Placez la bûche (6) sur le brûleur. Alignez les points plats de la bûche avec la grille du brûleur.



10. Placez le journal (8) sur le journal (6). L'arrière de la bûche (8) reposera dans le coin arrière gauche du foyer.

Feuille d'installations d'installation du jeu de bûches

En cas de conversion au gaz PL (propane), faire cette conversion avant d'installer les simili-bûches. Suivre les instructions de conversion incluses à la trousse. L'aspect de vos composants peut être légèrement différent de celui des instructions. S'assurer que les panneaux de briques sont correctement installés avant d'installer les simili-bûches.

ATTENTION:
NE PAS PLACER LES BÛCHES DIRECTEMENT AU-DESSUS DES ORIFICES DU BRÛLEUR. DES BÛCHES MAL PLACÉES POURRAIENT AVOIR DES RÉPERCUSSIONS SUR L'ASPECT DE LA FLAMME ET PROVOQUER UNE ACCUMULATION EXCESSIVE DE SUIE SUR LES BÛCHES ET LA VITRE.

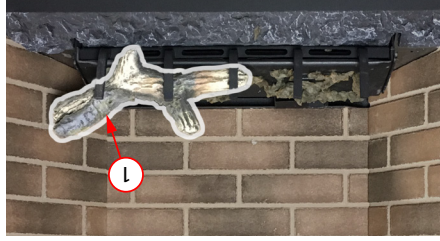
1. Placez le lit de braise sur le sol de la cheminée. Alignez les fentes du lit de braise avec les supports de brûleur.



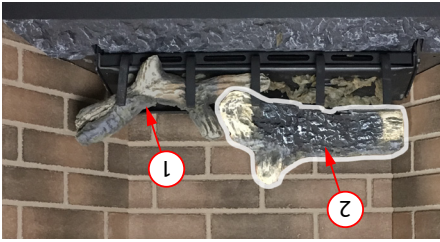
2. Divisez la laine rougeoyante en petits morceaux de la taille d'un dime ou utilisez une brosse métallique pour un fini plus fin. Ne couvrez pas les deux canaux d'air ovales avec la laine rougeoyante.



3. Placez la bûche (1) sur le brûleur. Alignez les points plats des bûches avec la grille du brûleur.



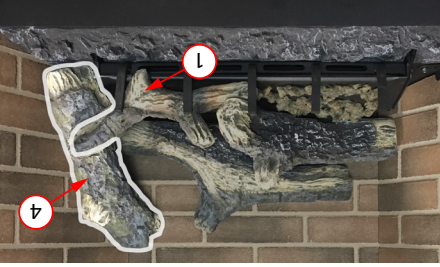
4. Placez la bûche (2) sur le brûleur. Le recto du journal reposera sur le journal (1) comme indiqué.



5. Placez la bûche (3) à l'arrière du brûleur. Laissez-le reposer sur le journal (2).



6. Placez la bûche (4) derrière la bûche (1) et posez la bûche (4) contre le mur arrière.



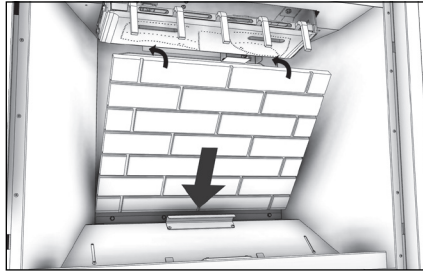
7. Placez la bûche (5) sur le lit de braise. Lorsqu'il est en place, le bord avant droit du brûleur sera caché.



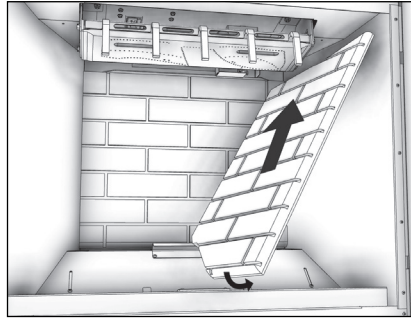
Feuille d'instructions d'installation du jeu de doubles

Remarque: L'aspect de vos composants peut être légèrement différent de celui des instructions.

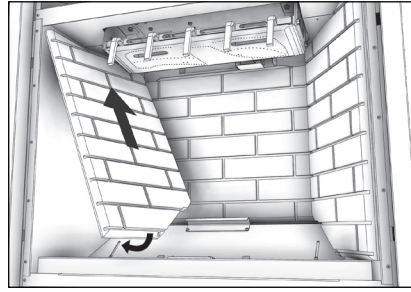
1. Pour insérer, le revêtement arrière, incliner la partie supérieure vers l'arrière de l'appareil en la faisant d'abord glisser en position. Il y a un rebord sur lequel doit reposer le revêtement arrière. Les revêtements devront être bien serrés.



2. Faire glisser ensuite le revêtement latéral gauche en position (la partie inférieure en premier).

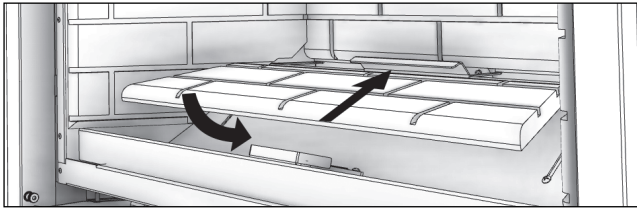


3. Faire glisser le revêtement latéral droit en position (la partie inférieure en premier).

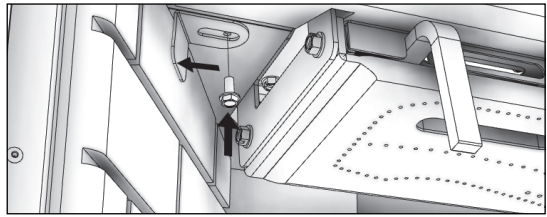
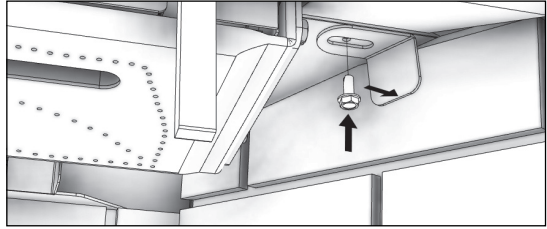
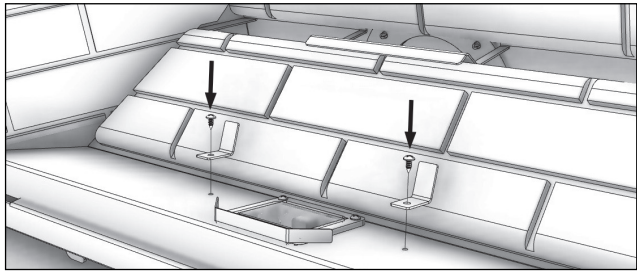


4. Placer l'extrémité arrière du revêtement supérieur jusqu'au

crochet auquel il est destiné. Fixer le revêtement supérieur une fois en place, en serrant les deux (2) crochets prévus à cet effet. Important: Avant d'installer le revêtement supérieur, se reporter à la rubrique « Ajustement du restricteur » du manuel du propriétaire.



5. Fixer les revêtements latéraux de gauche et de droite en position en ajustant et en serrant les crochets de revêtement à droite et à gauche.



Installation Des Bûches Et De La Doubleure

ATTENTION : Ne pas placer les bûches directement au-dessus des orifices du brûleur. Des bûches mal placées pourraient avoir des répercussions sur l'aspect de la flamme et provoquer une accumulation excessive de suie sur les bûches et la vitre.

- En cas de conversion au GPL (propane), faire cette conversion avant d'installer les simili-bûches. Suivre les instructions de conversion incluses à la trousse.
- Consulter les feuillets d'instructions fournis avec votre ensemble de bûches et de doubleure pour une installation conforme. Seuls des ensembles de bûches et de doubleure homologués doivent être utilisés avec l'appareil. REMARQUE : Ce foyer ne doit pas être mis en route sans que les bûches et/ou les doubleures homologuées soient correctement installées. Une utilisation sans une installation correcte des bûches et/ou des doubleures homologuées pourrait causer des dommages à l'appareil.

Doublures autorisées	893257
----------------------	--------

Simili-bûches homologuées	893265
---------------------------	--------

Montage

ASSEMBLAGE DU CADRE VITRÉ

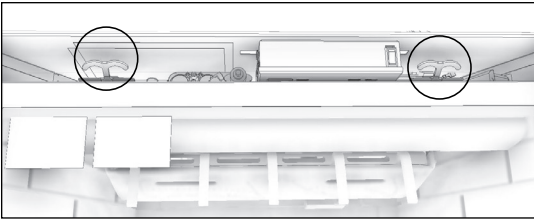
ATTENTION : Ne pas utiliser lorsque la vitre est enlevée, fêlée ou brisée. Le remplacement de la vitre doit être effectué par un personnel d'entretien qualifié ou certifié.

ATTENTION : Utilisez uniquement les pièces et les matériaux homologués lors du remplacement d'une déflecteuse ou endommagée.

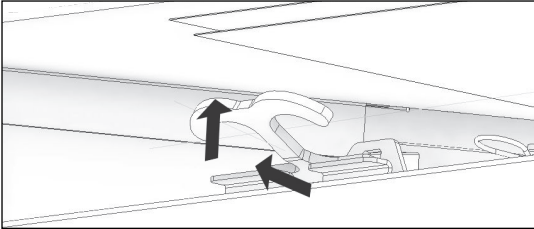
RETRAIT DU CADRE VITRÉ

ATTENTION : Ne pas retirer la vitre lorsqu'elle est chaude.

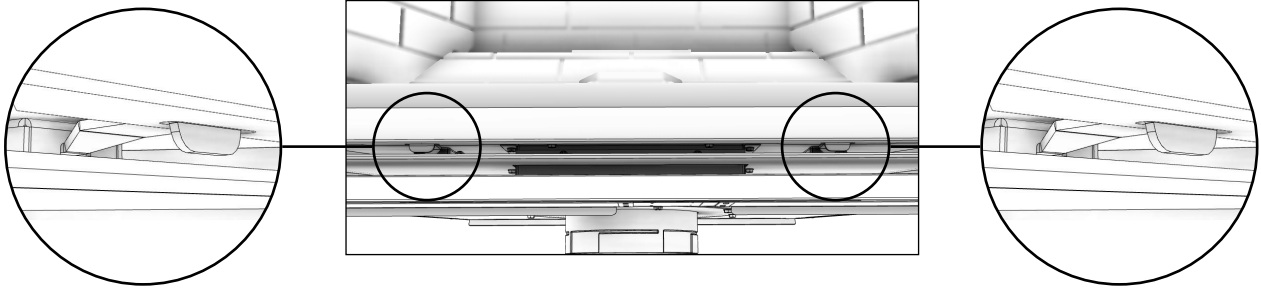
1. Localisez les deux (2) loquets à ressorts qui fixent l'assemblage vitré au bas de la boîte à combustion.



2. Tirez les loquets à ressorts vers l'extérieur et vers le bas pour libérer le bas de l'assemblage vitré.



3. Soulevez l'assemblage vitré à l'aide des deux (2) languettes se trouvant en haut de la boîte à combustion.



ATTENTION : Les sections horizontales de l'évent doivent monter de 1/4 po (6 mm) tous les 12 po (305 mm) de parcours.

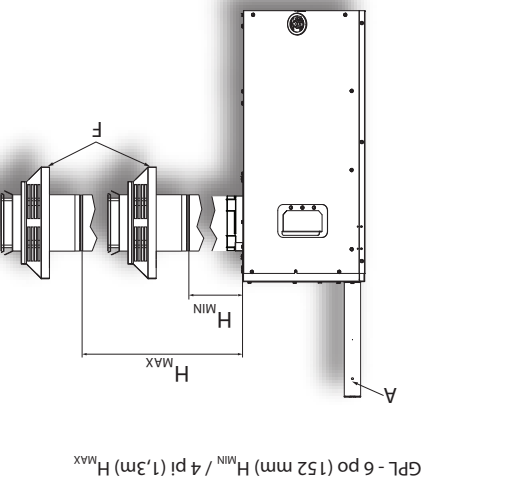
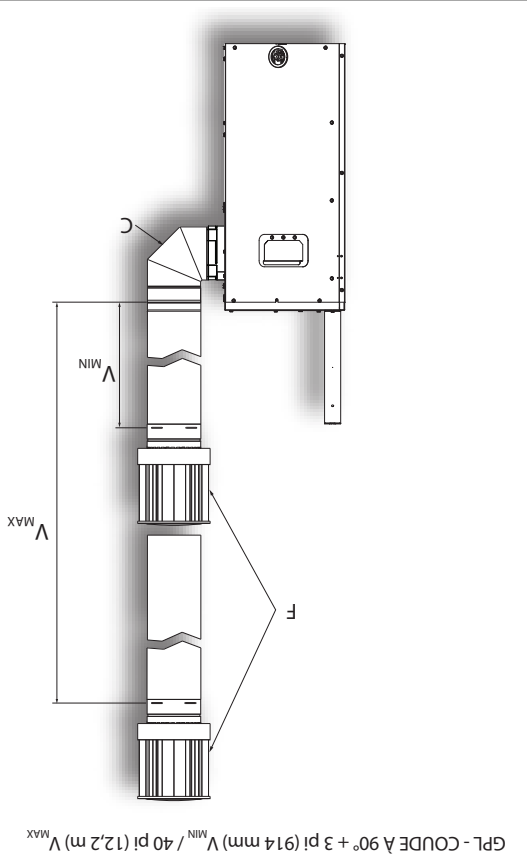
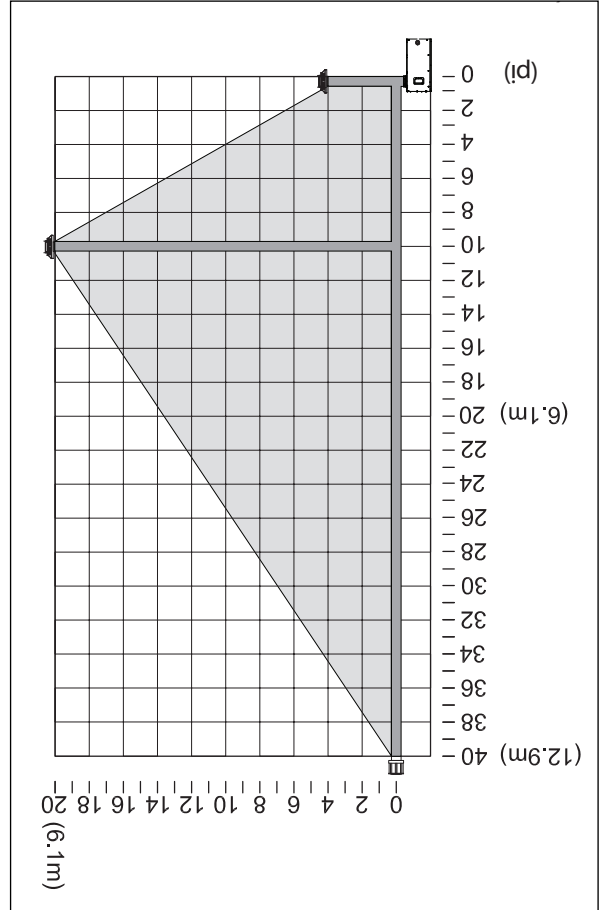
SORTIES HORIZONTALES

GPL : évacuation horizontale minimale / maximale		Longueur horizontale minimale (HMIN)	Longueur horizontale maximale (HMAX)	6 po	1,3 m
		Longueur horizontale minimale	Longueur horizontale maximale	152 mm	4 pi

ÉVENT COMBINÉ

GPL : sorties verticales minimales / maximales		Évacuation horizontale à verticale	Longueur verticale minimum	Longueur verticale maximum	Coude à 90°
		Longueur verticale	Longueur verticale minimum	Longueur verticale maximum	3 pi
		Parcours horizontal maximal	914 mm	40 pi	12,2 m

GPL : max. vertical / max. horizontal en combiné		Élévation verticale maximale	Parcours horizontal maximal	Longueur totale	Nombre maximal de coudes de 90° : 5
		10 pi	3,1 m	20 pi	6,1 m
		30 pi	9,2 m	30 pi	9,2 m



- DIAGRAMME D'ÉVENT ARRIÈRE (SORTIES VERTICALES ET HORIZONTALES)
- (A) Entretoises de dégagement
 - (E) Écran thermique d'évent horizontal (non applicable)
 - (B) Écrans thermiques de dégagement
 - (C) Coude à 90°
 - (D) Écran thermique d'évent vertical (non applicable)
 - (F) Chapeau de sortie

Évent Arrière

ATTENTION : Les sections horizontales de l'évent doivent monter de 1/4 po (6 mm) tous les 12 po (305 mm) de parcours.

INSTALLATIONS AU GAZ NATUREL

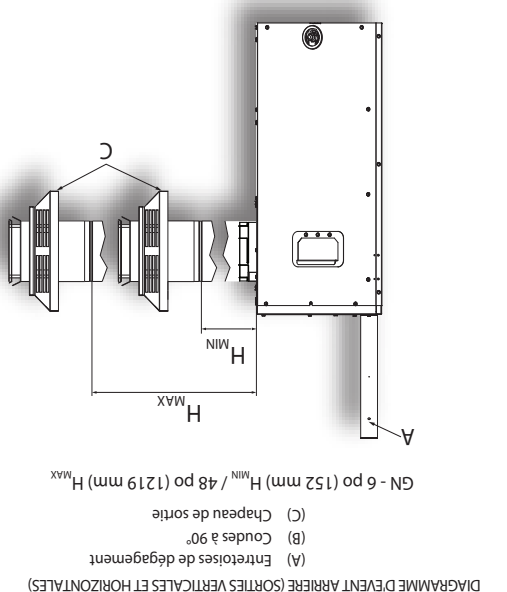
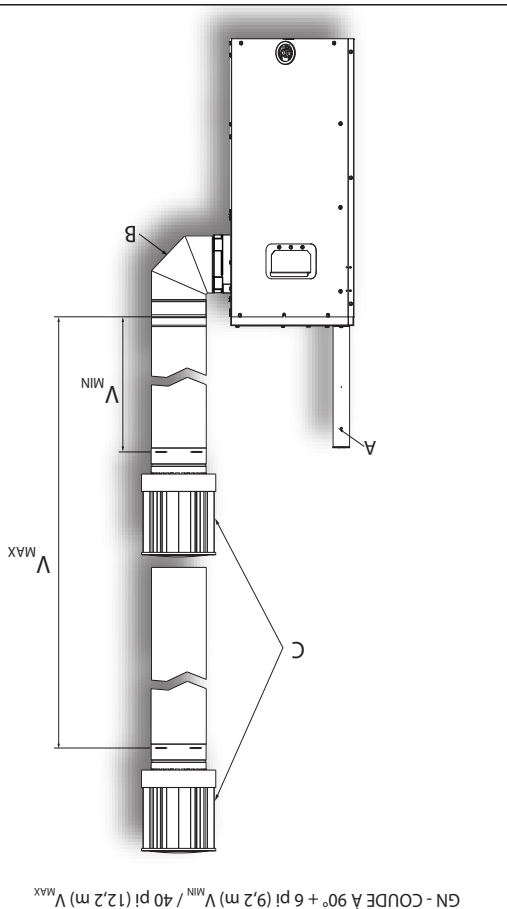
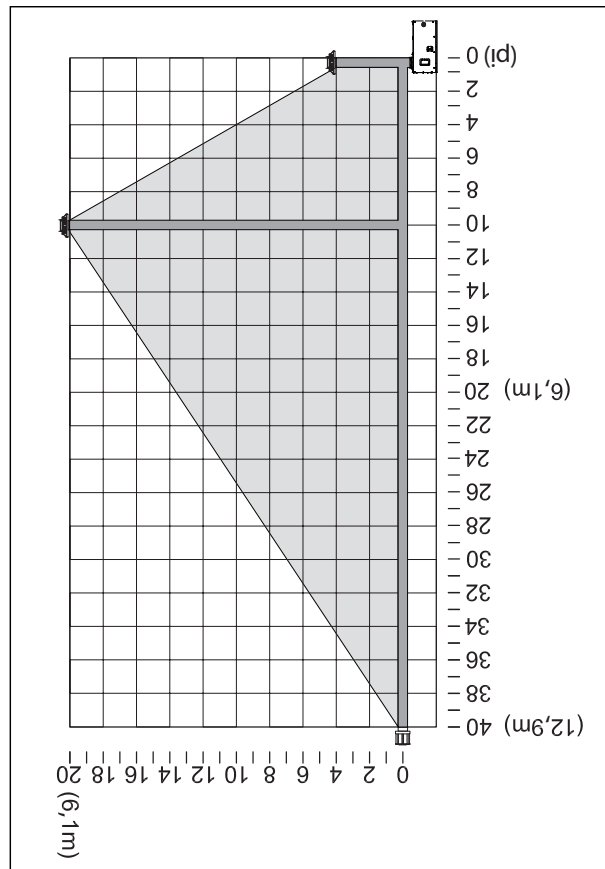
GN : évacuation horizontale minimale / maximale			
Longueur horizontale minimale (HMIN)	Longueur horizontale maximale (HMAX)	6 po	152 mm
48 po	1219 mm		

SORTIES HORIZONTALES

GN : sorties verticales minimales / maximales			
Évacuation horizontale à verticale	Longueur verticale minimum	Longueur verticale maximum	Coude à 90°
40 pi	12,2 m	6 pi	1,83 m

ÉVENT COMBINÉ

GN : max. vertical / max. horizontal en combiné			
Élévation verticale maximale	Parcours horizontal maximal	Longueur totale	
10 pi	3,1 m	20 pi	6,1 m
30 pi	9,2 m		
Nombre maximal de coudes de 90° : 4			



Évent Supérieur

ATTENTION : Les sections horizontales de l'évent doivent monter de 1/4 po (6 mm) tous les 12 po (305 mm) de parcours.

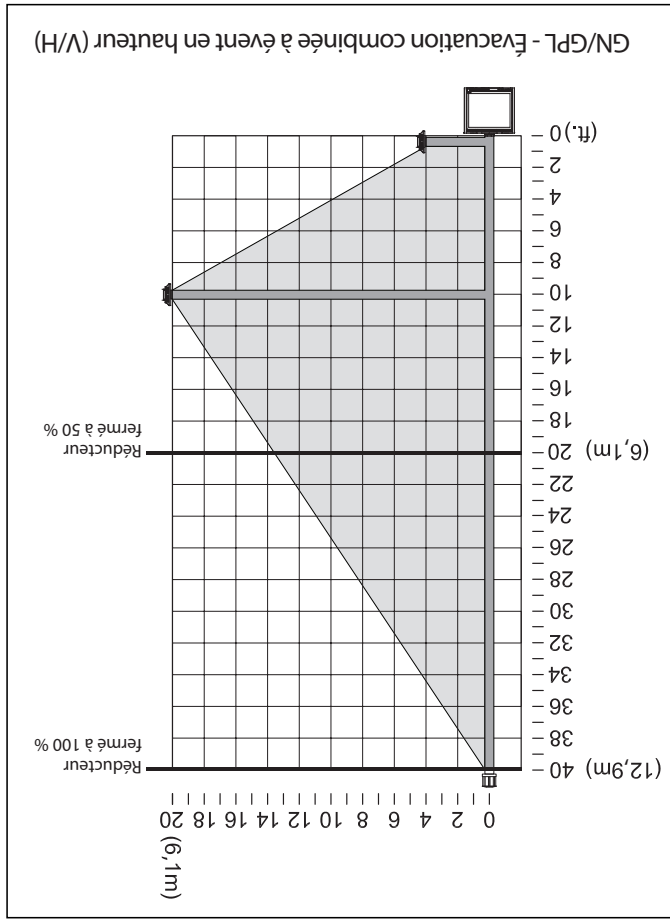
SORTIES VERTICALES

GN/GPL : sorties verticales minimales / maximales	Longueur verticale minimum	6 pi
Longueur verticale max.	1,83 m	40 pi
Longueur totale	12,2 m	

ÉVENT COMBINÉ

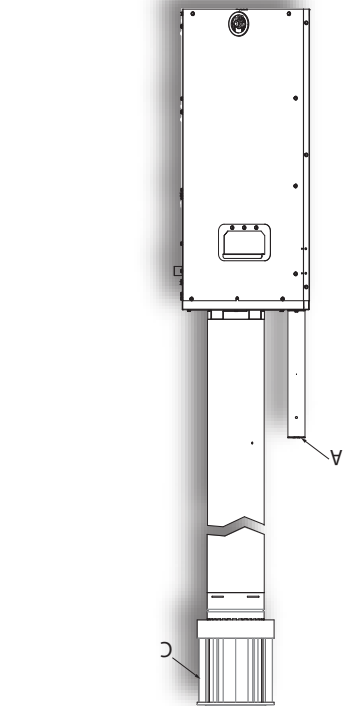
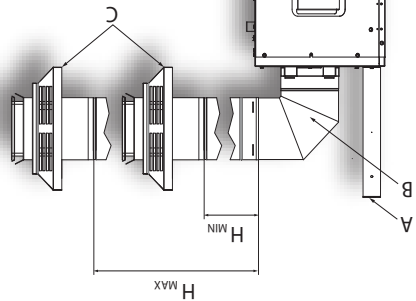
GN/GPL : sorties d'évent horizontal minimales			
Min. Vertical Evacuation	Min. Parcours horizontal (HMIN)	6 po	Coude à 90°
Parcours horizontal max. (HMIN)	1,52 mm	4 pi	1,22 m
GN/GPL : max. vertical / max. horizontal en combiné			
Élévation verticale max.		20 pi	6,1 m
Parcours horizontal max.		30 pi	9,2 m
Longueur totale			
Nombre maximal de coudes de 90° : 4			

GN/GPL : max. vertical / max. horizontal en combiné			
Élévation verticale max.		20 pi	6,1 m
Parcours horizontal max.		30 pi	9,2 m
Longueur totale			
Nombre maximal de coudes de 90° : 4			



GN/GPL - Evacuation combinée à évent en hauteur (V/H)

GN/GPL - COUDE À 90° + 6 po (152 mm) H MIN / 4 pi (1,3 m) H



GN/GPL - 6 pi (1,83 m) MIN. / 40 pi (12,20 m) MAX.

- (A) Entretoises de dégagement
- (B) Coudes à 90°
- (C) Chapeau de sortie

DIAGRAMME D'ÉVENT EN HAUTEUR (SORTIES VERTICALES ET HORIZONTALES)

Évent Supérieur (Vertical Seulement)

ATTENTION : Une mauvaise installation de l'évent peut provoquer un soulèvement ou un aspect « dansant » des flammes du brûleur. Contrôlez visuellement l'aspect de la flamme après le réglage du réducteur de débit, afin de garantir le bon fonctionnement.

AJUSTEMENT DU RÉDUCTEUR

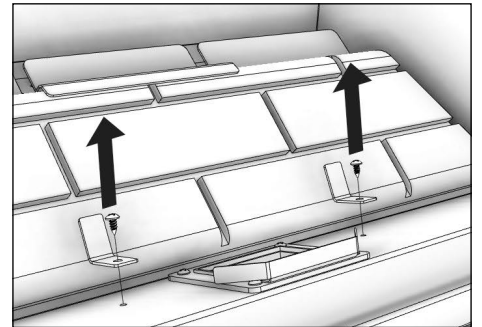
Ajustez le réducteur pour obtenir l'aspect de flamme souhaité sur tout système d'évacuation de 6 pieds (1,83 m) de tuyau vertical ou plus. Les sorties verticales peuvent présenter une flamme active, compacte. Si cet aspect n'est pas souhaitable, le réducteur peut avoir besoin d'un réglage. Laissez 15 minutes de temps de combustion avant tout réglage. Ajustez le réducteur comme indiqué dans le présent manuel. Les étapes un et deux sont uniquement nécessaires si des ajustements du réducteur sont requis après l'installation de l'appareil.

Directives d'ajustement du réducteur

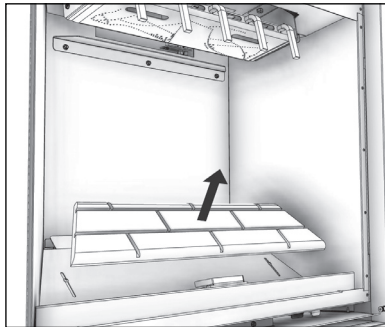
Aspect de la flamme	Problème de tirage	Solution
Courte, vacillante	Tirage excessif ou réduction insuffisante	Ajustez la plaque du réducteur pour fermer davantage
Instable ou dansante*	Tirage insuffisant	Ajustez la plaque du réducteur pour ouvrir davantage

* Si les flammes continuent à être instables ou « dansantes » après l'ouverture du réducteur et la vérification de la bonne installation de l'évent, coupez l'alimentation en gaz et appelez un technicien qualifié.

ATTENTION : Pour éviter des dommages matériels ou corporels, laissez du temps de refroidissement avant d'effectuer un réglage.



ÉTAPE 1
Retirez les deux supports du panneau central.

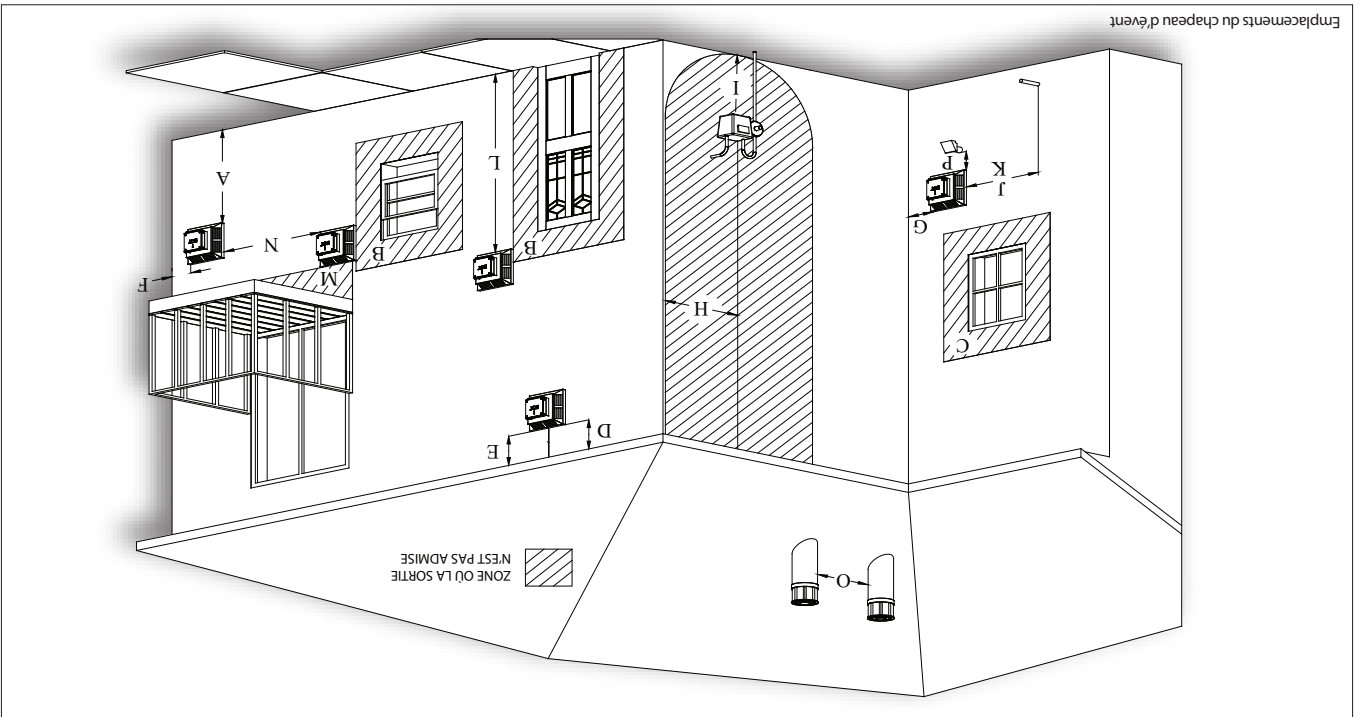


ÉTAPE 2
Retirez le panneau de brique supérieur.



ÉTAPE 3
Desserrez légèrement les deux vis à tête et ajustez le réducteur comme indiqué.

DÉGAGEMENTS MINIMUMS DE SORTIE



Emplacements du chapeau d'évent

Installations américaines		Installations canadiennes	
A	Dégagement au-dessus du sol, d'une véranda, d'une galerie, d'une terrasse ou d'un balcon	30 cm (12 po)	30 cm (12 po)
B	Dégagement à côté d'une ou d'une porte pouvant être ouverte	30 cm (12 po)	9 in (23 cm)
C	Dégagement à côté d'une fenêtre fermée en permanence (recommandé pour empêcher la condensation sur la fenêtre)	30 cm (12 po) *	30 cm (12 po)
D	Dégagement vertical d'un soffite ventilé situé au-dessus du terminal et avec une distance horizontale de 61 cm (24 po) à partir de l'axe du terminal	61 cm (24 po) *	61 cm (24 po) *
E	Dégagement d'un soffite non ventilé	30 cm (12 po)	30 cm (12 po)
F	Dégagement d'un angle extérieur	0 cm (0 po) *	0 cm (0 po) *
G	Dégagement d'un angle intérieur **	30 cm (12 po)	30 cm (12 po)
H	Dégagement de chaque côté de l'axe prolongé au-dessus de l'assemblage du compteur/régulateur	91 cm (3 pi) sur une hauteur de 4,5 m (15 pi) au-dessus de l'assemblage du compteur/régulateur	91 cm (3 pi) si à moins de 3 m (10 pi) horizontalement. Massachussets : 3 m (10 pi)
I	Dégagement pour l'entretien de la sortie d'évent du régulateur	91 cm (3 pi)	23 cm (9 po) *
J	Dégagement de l'entrée d'air non mécanique du bâtiment ou l'entrée d'air de combustion d'un autre appareil	30 cm (12 po)	30 cm (12 po)
K	Dégagement de l'entrée d'air mécanique	1,83 m (6 pi)	91 cm (3 pi) si à moins de 3 m (10 pi) horizontalement. Massachussets : 3 m (10 pi)
L	Dégagement au-dessus du trottoir en pavé ou au-dessus d'une allée pavée sur une propriété publique	2,13 m (7 pi) †	2,13 m (7 pi) †
M	Dégagement au-dessus d'une véranda, d'une galerie, d'une terrasse ou d'un balcon	30 cm (12 po) ‡	30 cm (12 po)
N	Dégagement entre deux sorties horizontales	30 cm (12 po)	30 cm (12 po)
O	Dégagement entre deux sorties verticales (peuvent être de la même hauteur)	30 cm (12 po)	30 cm (12 po)
P	Au-dessus de l'échappement ou l'admission de la fournaise	30 cm (12 po)	30 cm (12 po)

* Espace de dégagement selon les codes d'installation locaux et les exigences du fournisseur de gaz.

** LES CHAPEAUX DE SORTIE SNORKEL RÉPERTORIÉS NÉCESSITENT UN DÉGAGEMENT DE 61 cm (24 po) JUSQU'À UN ANGLE INTÉRIEUR

† Une sortie d'évent ne doit pas donner directement au-dessus d'un trottoir ou d'une allée pavée commune se trouvant entre deux habitations individuelles et servir les deux logements.

‡ Permis seulement si la véranda, le porche ou la terrasse est entièrement ouvert sur un minimum de deux côtés sous le plancher.

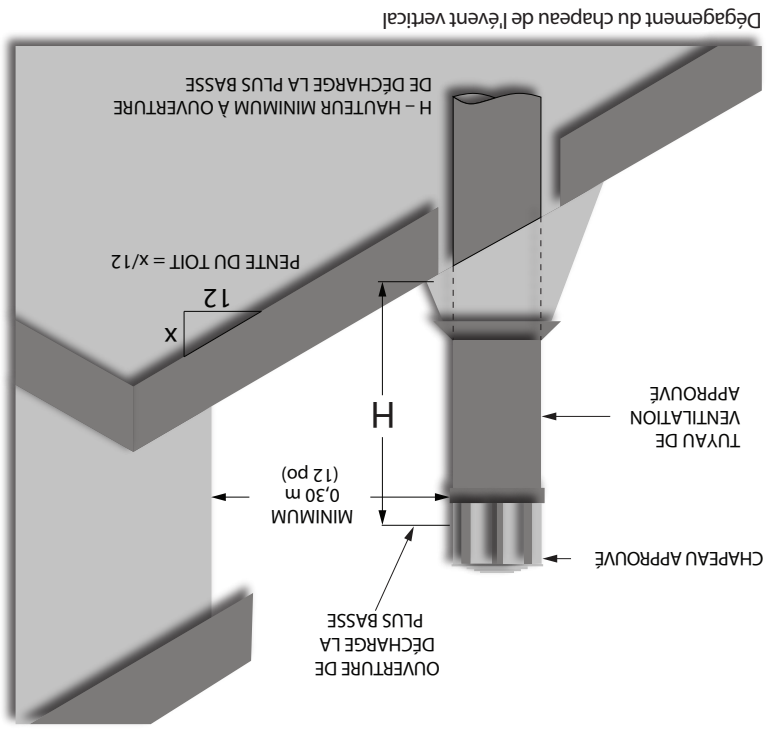
AVERTISSEMENT DE SOFFITE DE VINYLE, PLAFOND DE VINYLE ET SURPLOMB DE VINYLE : Dégagements pour les matériaux résistants à la chaleur (p. ex. le bois, le métal). Cela n'inclut pas le vinyle! Hussong Manufacturing Co., Inc. ne pourra être tenu responsable en cas de dommage thermique provoqué par des sorties sous des surplombs de vinyle, des plafonds de vinyle, des plafonds de vinyle ou des soffites de vinyle ventilés ou non.

Emplacements de la sortie

CHAPEAU DE SORTIE DE L'ÉVENT VERTICAL

ATTENTION : Ce foyer ne doit pas partager un conduit de cheminée desservant un foyer distinct à combustible solide (ou être raccordé à celui-ci).

Hauteur minimale (H) à partir de la toiture		
Pente du toit	Pieds	Mètres
Plat à 6/12	1,0	0,30
De 6/12 à 7/12	1,25	0,38
De 7/12 à 8/12	1,5	0,46
De 8/12 à 9/12	2,0	0,61
De 9/12 à 10/12	2,5	0,76
De 10/12 à 11/12	3,25	0,99
De 11/12 à 12/12	4,0	1,22
De 12/12 à 14/12	5,0	1,52
De 14/12 à 16/12	6,0	1,83
De 16/12 à 18/12	7,0	2,13
De 18/12 à 20/12	7,5	2,27
De 20/12 à 21/12	8,0	2,44



Pressions d'alimentation en gaz		
Combustible	Pression minimale	Pression maximale
Gaz naturel	5 po CE (1,25 kPa)	10,5 po CE (2,62 kPa)
GPL	12 po CE (2,674 kPa)	14 po CE (3,49 kPa)

- Ce foyer est équipé d'un connecteur de gaz flexible de 3/8 po (10 mm) x 18 po (457 mm) de long et une vanne d'arrêt manuelle.
- Faites passer la conduite de gaz dans le foyer. La conduite de gaz doit être mise en place jusqu'au point de raccordement de la vanne d'arrêt et la conduite de gaz flexible.
- Ne placez pas la conduite de gaz de manière à entraver le fonctionnement du ventilateur.
- Pour les installations en haute altitude, consulter le distributeur de gaz local ou l'autorité compétente pour obtenir les procédures appropriées.

REMARQUE : Ce foyer et sa vanne d'arrêt individuelle doivent être déconnectés du système de conduite d'alimentation en gaz lors des tests de pression si la pression excède 3,5 kPa (1/2 psi). Pour les tests de pression intérieurs ou égaux à 3,5 kPa (1/2 psi) le foyer doit être déconnecté du système de conduite d'alimentation en gaz en fermant la vanne d'arrêt manuelle. Une vanne d'arrêt manuelle de 1/2 po (13 mm) et un connecteur de gaz flexible homologués (et approuvés par le Commonwealth du Massachusetts) doivent être raccordés à l'entrée de la vanne de contrôle de 1/2 po (13 mm). En cas de remplacement de ces composants, veuillez vous conformer aux codes locaux.

ATTENTION : L'installation de la conduite de gaz doit être réalisée uniquement par une personne qualifiée, conformément aux codes du bâtiment locaux, le cas échéant. Dans le cas contraire, suivez la norme ANSI Z23.1. Les installations du Commonwealth of Massachusetts doivent être effectuées par un plombier ou un installateur de gaz agréé.

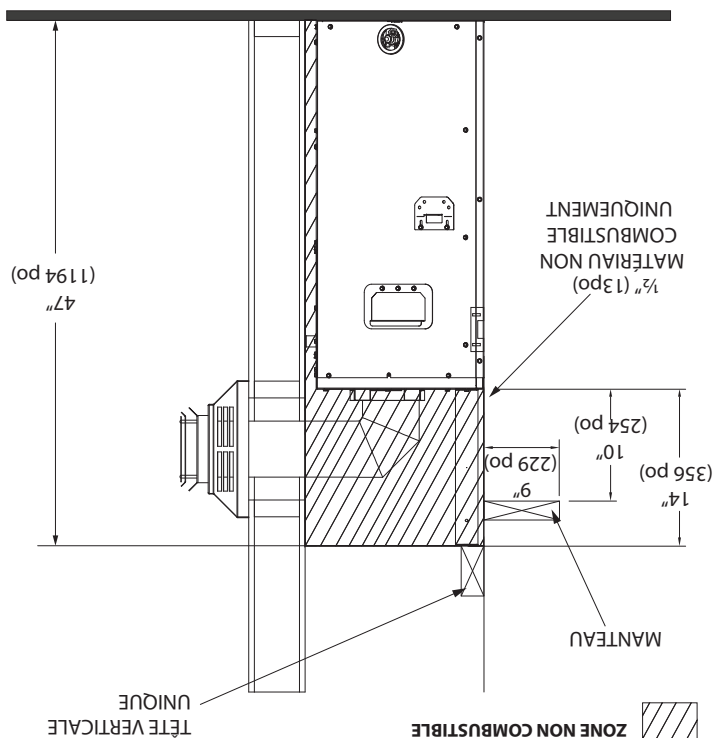
INSTALLATION DE LA CONDUITE DE GAZ

Le foyer est fabriqué pour fonctionner au gaz naturel. En cas de conversion au GPL, suivre les instructions de conversion incluses à la trousse. La trousse de conversion doit être installée par une agence de service qualifiée.

ATTENTION : La conversion doit être réalisée selon les exigences des autorités provinciales compétentes, et conformément aux obligations émanant du code d'installation ANSI Z23.1.

CONVERSION DE GAZ (VENDU SÉPARÉMENT)

Raccordement De La Conduite De Gaz



Exigences Relatives Au Manteau Et À La Finition

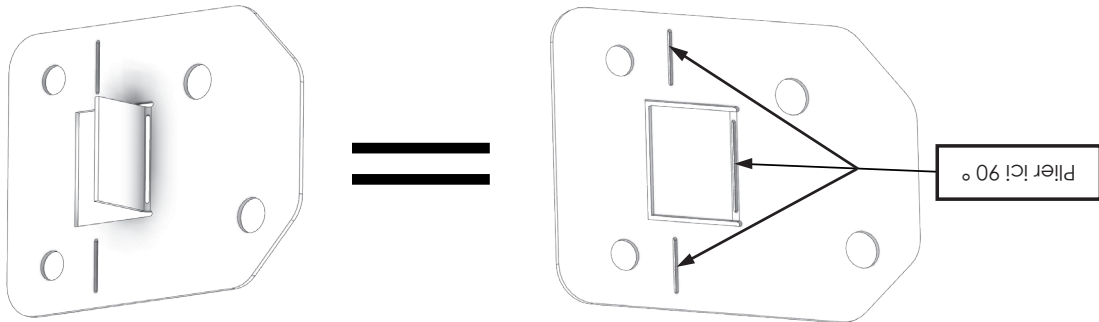
RECOMMANDATIONS DE FINITION

- La surface au-dessus du foyer peut être affectée par les hautes températures émises. Pour éviter ou réduire la possibilité de fissure de la plaque de plâtre, les méthodes suivantes sont recommandées: Assurez-vous que le matériau non combustible et le placoplatre sont secs et sans poussière.
- Pour les joints de ruban et de boue, nous recommandons l'utilisation de ruban, de maille et de composés pour joints résilients à la chaux. La boue doit être durcie selon les recommandations du fabricant.
- Pour une surface peinte, utilisez un apprêt au latex acrylique de haute qualité et une couche de finition. Évitez les peintures plates ou de couleur claire pour éviter la décoloration.

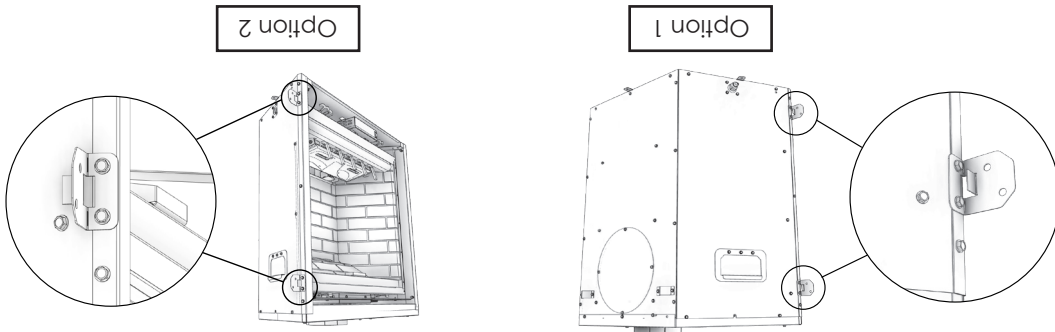
ASSEMBLAGE ET INSTALLATION DE LA BRIDE DE CLOUAGE

ATTENTION : Ne jamais retirer définitivement ces assemblages, ils doivent être fixés, quels que soient les matériaux de finition utilisés.

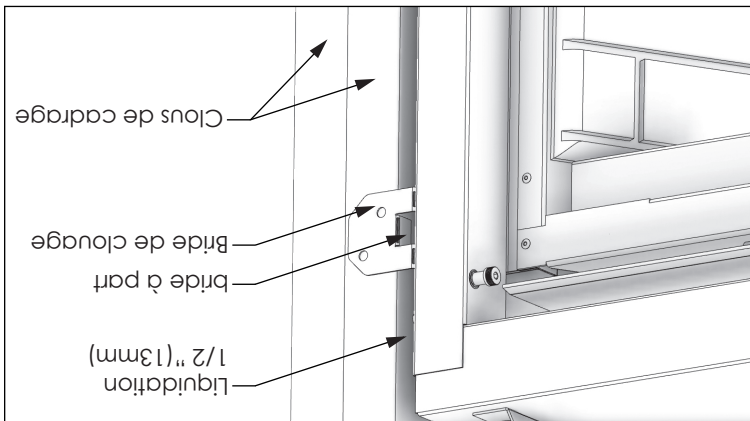
1. Plier les supports de montage à 90° au niveau de la perforation, comme illustré.



2. En fonction du matériau de revêtement, la moitié inférieure du support de montage peut être ajustée en avant ou en arrière de 13 mm (1/2 po) selon les besoins.



3. Fixez deux (2) supports de montage de chaque côté de l'unité.



ATTENTION : Ne pas installer directement sur du tapis, du vinyle ou toute autre matière combustible autre que le bois.

- En cas d'installation directe sur du tapis, de la tuile ou des matériaux combustibles autres que du plancher en bois, ce foyer doit être installé sur panneau de métal ou de bois, ou sur un protecteur de plancher prolongeant la largeur et la profondeur du foyer.
- En cas d'installation au-dessus du niveau du sol, une plateforme solide et continue doit être construite sous le foyer.
- Tenir compte de la hauteur du matériau de finition du foyer (pierre, briques, etc.) lors de la construction de la plateforme. Le bas du foyer doit être au niveau de l'âtre fini pour permettre un bon ajustement des barrières de sécurité.
- Bâtir l'âtre à la hauteur et de la dimension souhaitées. Si vous souhaitez une extension de l'âtre, vous pouvez utiliser un matériau combustible.

CHÂSSIS DE SORTIE DE L'ÉVENT

REMARQUE : L'emplacement du chapeau de sortie de l'évent doit être conforme aux renseignements de dégagement minimal contenus dans le présent manuel.

ATTENTION : NE PAS ENCASTRER LE CHAPEAU DE L'ÉVENT DANS LE MUR OU LE REVÊTEMENT.

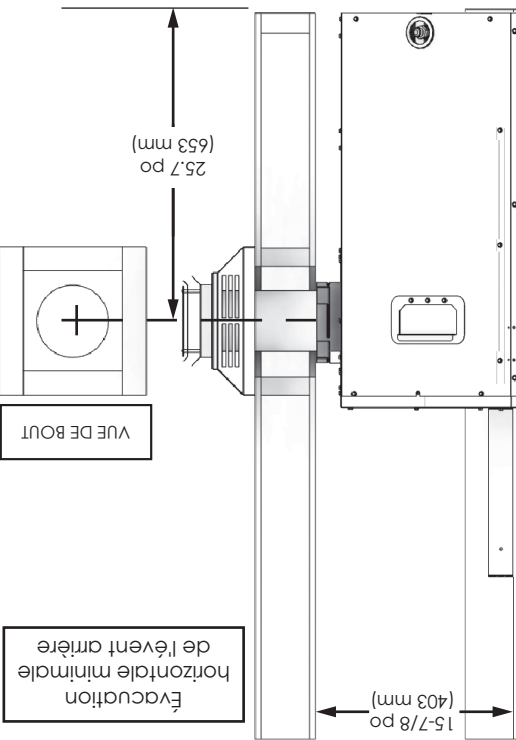
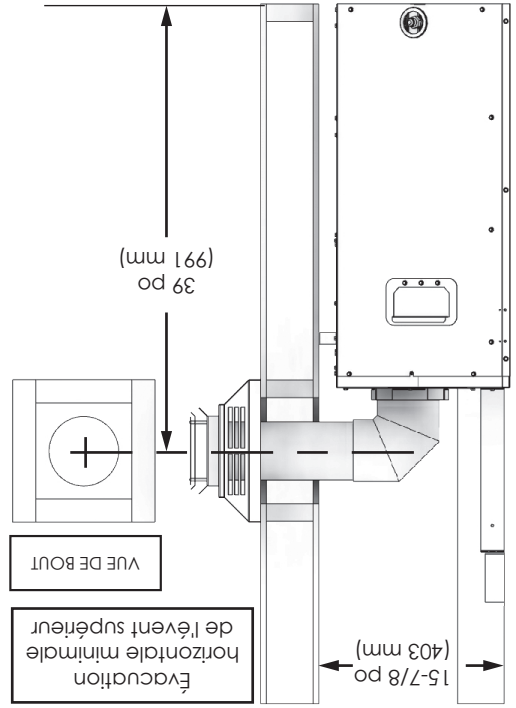
SORTIES VERTICALES

ATTENTION : Zone de transfert d'air froid. Le châssis entourant le foyer doit être conforme à tous les dégagements décrits dans le présent manuel et être construit conformément aux codes locaux du bâtiment. Les murs extérieurs doivent être isolés pour empêcher l'air froid de pénétrer dans la pièce.

- Suivez les instructions d'installation du fabricant du tuyau de ventilation pour les sorties verticales.
- Un dégagement minimal de 1 po (25 mm) doit être maintenu sur tous les côtés du tuyau de ventilation verticale.
- Les écrans d'isolation pour grenier peuvent être isolés à l'aide de produits d'isolation reportés comme non combustibles selon la norme ASTM E 136.

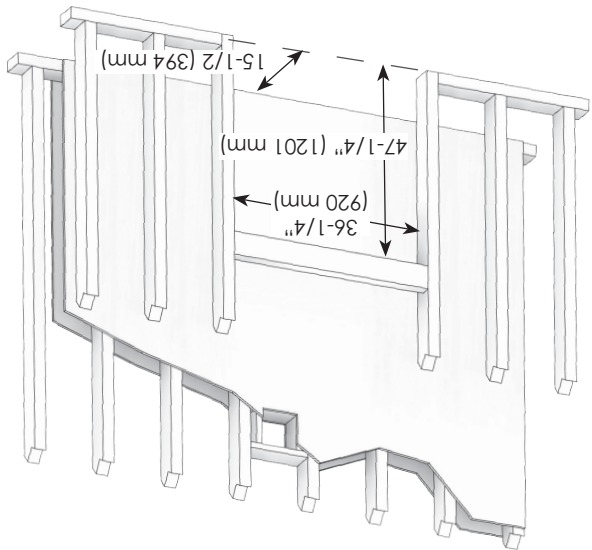
SORTIES HORIZONTALES

1. Mesurez du niveau du sol du foyer au centre de l'endroit où le tuyau d'évacuation va pénétrer dans le mur. Les coudes reportés avec les systèmes de ventilation homologués varient en longueur verticale. Veuillez consulter les instructions du fabricant de l'évent pour déterminer la dimension de coude utilisée pour l'installation. Ajustez les dimensions de l'ouverture brute du manchon de raccordement comme nécessaire pour respecter les exigences de dégagement.
2. Découpez et encadrez une ouverture dans le mur pour permettre au système d'évent de passer au niveau du manchon de raccordement.
3. Suivez les instructions d'installation du fabricant du tuyau de ventilation pour l'installation de l'évent.

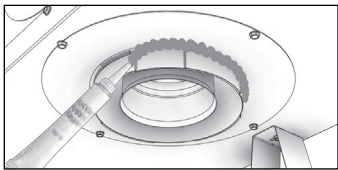


ATTENTION : Prévoyez un dégagement suffisant autour des bouches d'air de la chambre de combustion. Prévoyez un dégagement suffisant à l'avant du foyer pour retirer la barrière, accéder aux composants, installer la conduite de gaz, entretenir l'appareil, etc.

- Les dimensions d'encastrement doivent laisser la place suffisante pour l'épaisseur du revêtement mural et les matériaux de recouvrement du foyer. Si vous utilisez un être, ajustez la dimension de l'ouverture brute comme nécessaire pour respecter les exigences de dégagement minimales.
- En cas d'utilisation de maçonnerie (facultatif), préparez la fondation en nécessaire pour la charge de la maçonnerie. En cas de construction en maçonnerie, vous devez utiliser un linteau au-dessus du foyer pour supporter le poids supplémentaire.



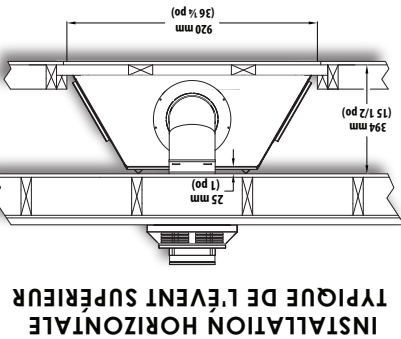
ATTENTION : Appliquez une quantité généreuse de scellant à haute température autour de la sortie de la cheminée.



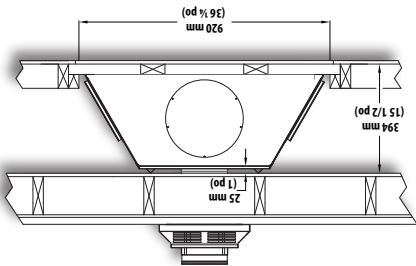
REMARQUE : Les coudes homologués pour système d'évacuation varient en longueur verticale. Consultez les instructions du fabricant de l'évent pour déterminer la dimension de coude utilisée pour votre installation. Ajustez au besoin pour maintenir le dégagement requis de 1 po (25 mm) à partir du tuyau de ventilation jusqu'au matériau combustible.

Dégagements minimums d'un matériel combustible		Du foyer au (x)	
		poüces	mm
Entroütoises supérieures	0	0	0
Entroütoises gauche et droite	0	0	0
Entroütoises arrière	0	0	0
Coins	1/4	6	15
Devant	36	915	1295
Platond (à partir du haut)	51	1295	153
Parois latérales (à partir des côtés)	6	153	153
Manteau de 9 po (229 mm) de profondeur, à 10 po (254 mm) du haut du foyer			

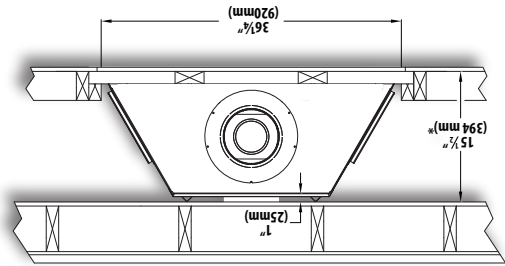
** UNITÉS MONTREES SANS ÉCRAN THERMIQUE POUR PLUS DE CLARTÉ.
** COTE INDIQUEE AVEC LE COUDE DURAVENT RÉPERTORIE.



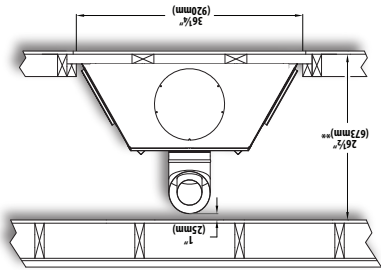
INSTALLATION HORIZONTALE TYPIQUE DE L'ÉVENT SUPÉRIEUR



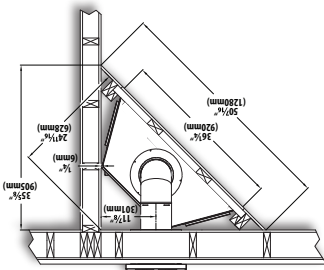
INSTALLATION HORIZONTALE TYPIQUE DE L'ÉVENT ARRIÈRE



INSTALLATION VERTICALE TYPIQUE DE L'ÉVENT SUPÉRIEUR



INSTALLATION VERTICALE TYPIQUE DE L'ÉVENT ARRIÈRE



INSTALLATION TYPIQUE EN ANGLE DE L'ÉVENT SUPÉRIEUR

DuraVent (DirectVent Pro)	46DVA-VC – Chapeau à faible encombrement	Vertical
	46 DVA-VCH – Chapeau pour vent fort	Vertical
	DVA 46-HC – Chapeau haut pour vent fort	Horizontal
Olympia Chimney (Vents)	VDV-VCH04 – Chapeau rond pour vent fort	Vertical
	VDV-VCH4 – Chapeau rond	Vertical
	VDV-HC04 – Chapeau carré pour vent fort	Horizontal
BDM (Pro-Form)	DVR6-VCH – Chapeau rond pour vent fort	Vertical
	DVR6-HC – Chapeau carré	Horizontal
	DVR-HCP HCA – Chapeau de sortie pyramidal	Horizontal

EXIGENCES D'ÉVACUATION

Consultez les codes d'installation locaux et nationaux pour assurer une combustion et une ventilation adéquates. Les exigences d'évacuation s'appliquent au gaz naturel et au gaz propane.

- La hauteur et l'aspect de la flamme varient selon la configuration de l'évacuation et le type de combustible utilisé.
- Voir le manuel d'installation de l'évent du fabricant pour les instructions d'installation complètes. L'installation de l'évent doit être conforme aux exigences d'évacuation et aux restrictions énoncées dans le présent manuel.
- Fournir un moyen de vérifier visuellement le raccordement de l'évent au foyer après son installation.

DÉGAGEMENT DE LA SECTION DE L'ÉVENT

REMARQUE : Des produits de coupe-feu mural conformes au dégagement requis de 1 po (25 mm) des matériaux combustibles doivent être installés pour tous les parcours d'évents horizontaux qui traversent des murs intérieurs ou extérieurs. Ces coupe-feu muraux combustibles doivent être à l'aide de produits d'isolation répertoriés comme non combustibles selon la norme ASTM E 136.

REMARQUE : Les écrans d'isolation pour grenier peuvent être isolés à l'aide de produits d'isolation répertoriés comme non combustibles selon la norme ASTM E 136.

Dégagements de la section du tuyau vertical	
Surface	Toute évacuation approuvée
Côtés	1 po (25 mm)

Dégagements de la section du tuyau horizontal			
Surface	Toute évacuation approuvée	Haut	3 po (76 mm)
Côtés		Bas	1 po (25 mm)
			1 po (25 mm)

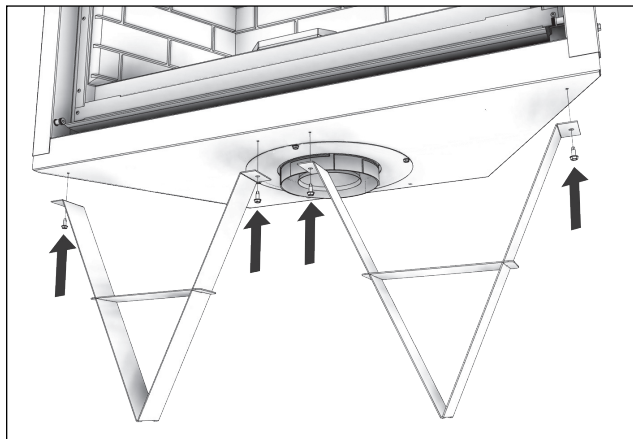
UTILISATION DES COUDES

- NOMBRE MAXIMAL DE COUDES DE 90° : 4
- Pour chaque coude de 90° supplémentaire utilisé après le premier coude à 90°, vous devez soustraire 3 pi (91,4 cm) à l'évacuation maximale autorisée.
- Pour chaque coude de 45° utilisé, vous devez soustraire 1-1/2 pi (457 mm) à l'évacuation maximale autorisée.
- Deux (2) coudes de 45° peuvent être utilisés à la place d'un (1) coude de 90°.

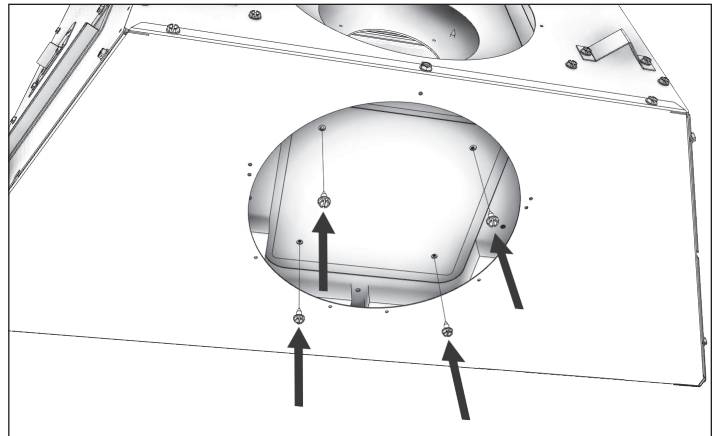
Châssis

ATTENTION : Les entretoises supérieures fournissent le dégagement minimal jusqu'au collecteur. Utilisez uniquement un matériau non combustible dans cette zone, pour toute la largeur du foyer. Dans cette zone, n'utilisez pas de bois, de plaque de plâtre, etc. Les entretoises de dégagement supérieures doivent être formées et fixées avant d'être positionnées dans l'ouverture encadrée.

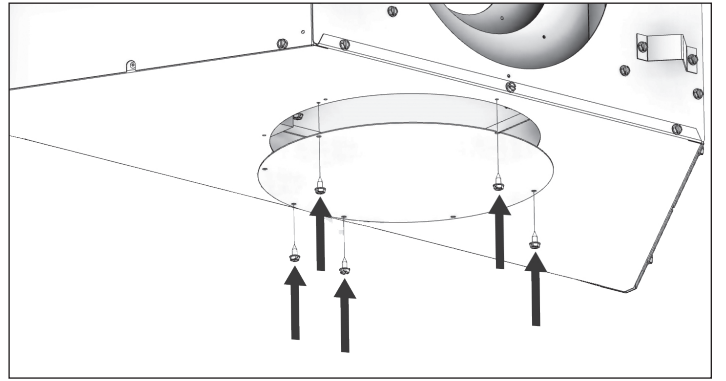
Fixez les deux assemblages de montage sur le dessus de l'appareil à l'aide de quatre vis 10-32 X 1/2, comme illustré. REMARQUE : Les deux barres sont situées dans la chambre de combustion. Les quatre vis 10-32 X 1/2 sont fournies dans le sac de pièces.



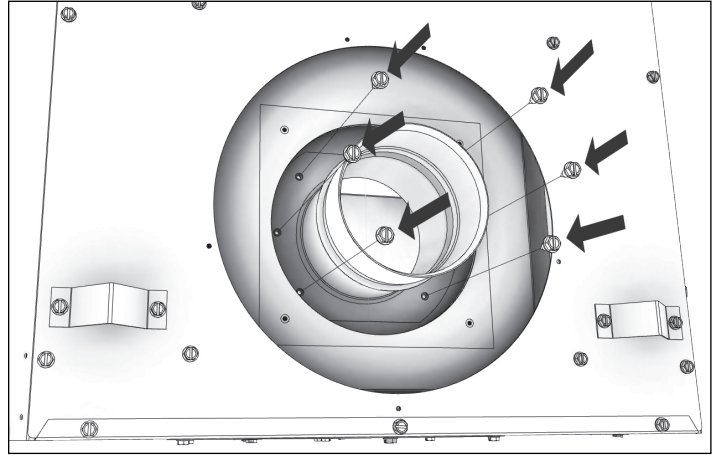
ÉTAPE 8
Fixez la plaque de couverture à la chambre d'admission à l'aide des quatre (4) vis no 10A X 1/2 HX retirées précédemment.



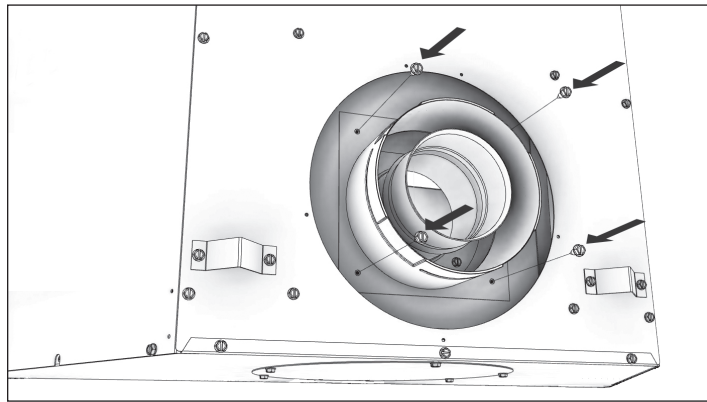
ÉTAPE 9
Fixez la plaque de couverture arrière au haut du foyer à l'aide des cinq (5) vis no 10A X 1/2 HX retirées précédemment.



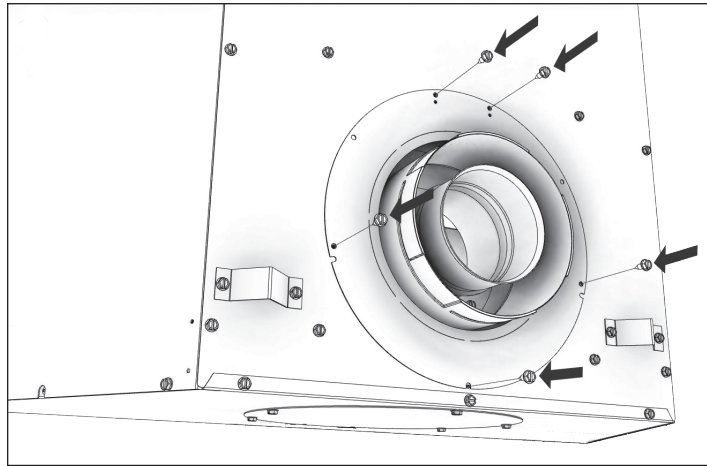
ÉTAPE 10
Fixez la hotte de tirage interne de l'admission à l'arrière de la boîte à combustion à l'aide des six (6) vis no 10A X 1/2 HX retirées précédemment.



ÉTAPE 11
Fixez la collerette de la hotte de tirage à la chambre d'admission à l'aide des quatre (4) vis no 10AX1/2 HX retirées précédemment.



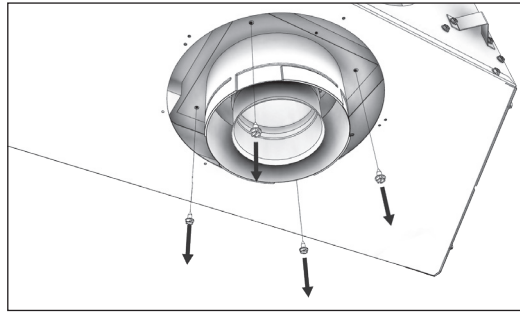
ÉTAPE 12
Fixez la plaque de couverture arrière au dos du foyer à l'aide des cinq (5) vis no 10AX1/2 HX retirées précédemment.



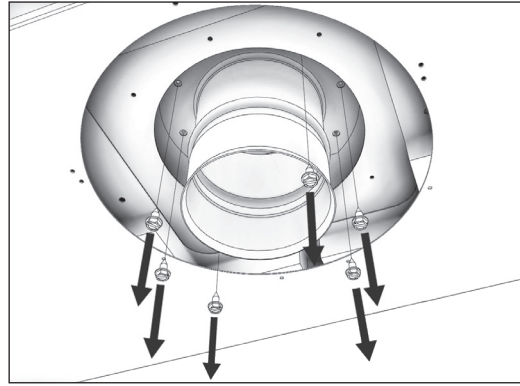
ATTENTION : Il y a des sorties pour les deux évacuations arrière et avant. Les plaques de couverture d'une la sortie d'évacuation non utilisée doivent être en place, et, en cas d'utilisation, elles doivent être retirées de la sortie selon les instructions ci-dessous.

Lors du retrait et de la remise en place des plaques, assurez-vous que les joints appropriés sont intacts et remis en état comme requis. REMARQUE : Tous les éléments supprimés de la sortie d'évacuation supérieure seront réinstallés pour l'évacuation arrière.

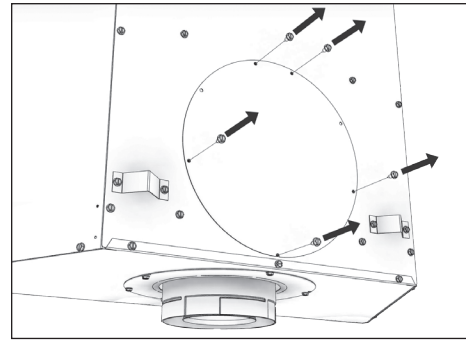
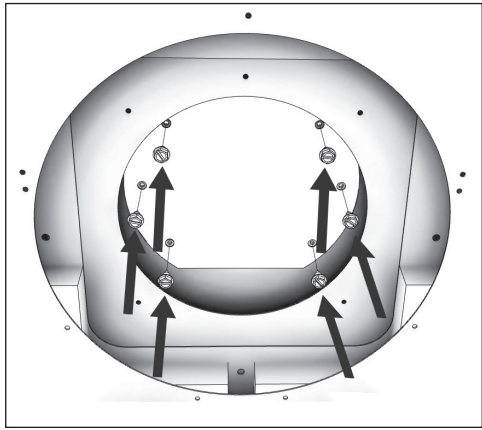
ÉTAPE 5 Retirez les quatre (4) vis no 10AX1/2 HX qui fixent la collerette de la hotte de tirage à la chambre d'admission.



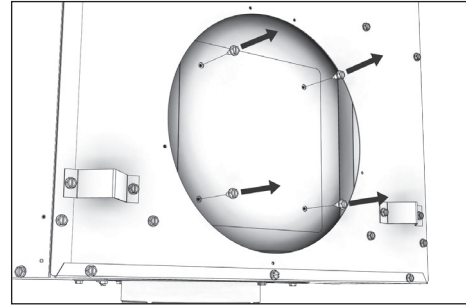
ÉTAPE 6 Retirez les six (6) vis qui fixent la hotte de tirage interne de l'admission au haut de la boîte à combustion.



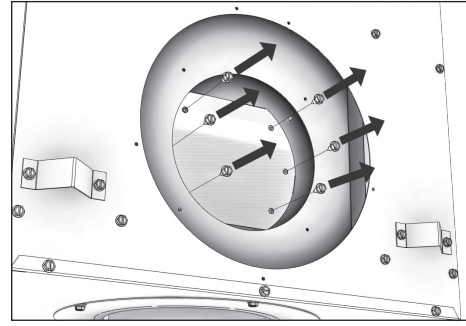
ÉTAPE 7 Fixez le obturateur d'échappement à l'intérieur du haut de la boîte à combustion à l'aide des six (6) vis no 10AX1/2 HX retirées précédemment.



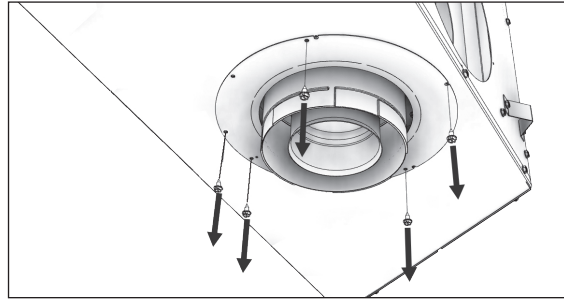
ÉTAPE 1 Retirez les cinq (5) vis no 10AX1/2 HX qui fixent la plaque de couverture à l'arrière du foyer.



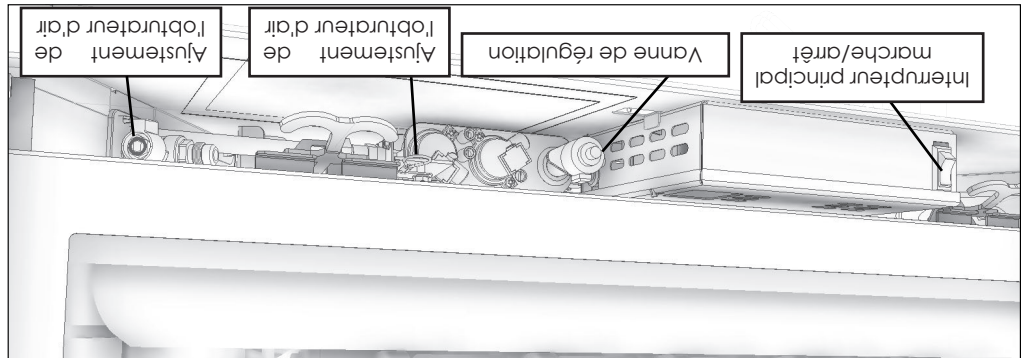
ÉTAPE 2 Retirez les quatre (4) vis no 10AX1/2 HX qui fixent la plaque de couverture à la chambre d'admission.



ÉTAPE 3 Retirez les six (6) vis no 10AX1/2 HX qui fixent l'obturateur d'échappement à la boîte à combustion.



ÉTAPE 4 Retirez les cinq (5) vis no 10AX1/2 HX qui fixent la plaque de couverture au haut du foyer.



Caractéristiques du gaz et dimension de l'orifice				Pressions du gaz		
Combustible	Max. Admission en BTU/h	Min. Admission en BTU/h	Dimension de l'orifice	Gaz naturel	5,0 po CE	12,0 po CE
				Propane (GPL)		
				Pression minimale d'alimentation	10,5 po CE	14,0 po CE
				Pression maximale d'alimentation	3,8 po CE	11,0 po CE

Canada	ENERGUIDE	65 %	Cote énergétique des foyers à gaz
Basée sur la norme CSA P.4-1.15			
Canada	ENERGUIDE	66 %	Cote énergétique des foyers à gaz
Basée sur la norme CSA P.4-1.15			

HAUTE ALTITUDE
 Les débits calorifiques sont indiqués en BTU par heure et sont certifiés sans déclassement pour des altitudes jusqu'à 4 500 pieds (1 370 m) au-dessus du niveau de la mer.
 Pour une altitude supérieure à 2 000 pieds (50,8 m) aux États-Unis, les installations doivent être conformes à la norme courante ANSI Z223.1/NFPA 54 et/ou aux codes locaux ayant compétence.
 Au Canada, veuillez consulter les autorités provinciales ou locales ayant compétence pour les installations à des altitudes supérieures à 500 pieds (1 370 m). Code d'installation du gaz naturel et du propane CSA B149.1 REMARQUE : Si vous vivez dans un climat froid, scellez toutes les fissures autour de votre appareil, et partout où l'air froid pourrait entrer dans la pièce, avec un matériau non combustible. Il est particulièrement important d'isoler la cavité du châssis externe entre les goujons et sous le plancher sur lequel repose l'appareil, si celui-ci est au-dessus du niveau du sol.

ATTENTION : Lisez complètement et attentivement toutes les instructions avant de commencer l'installation. Ne pas le faire peut entraîner des blessures graves, des dommages matériels ou la mort. Le fonctionnement d'un système d'évacuation mal installé et mal entretenu peut entraîner des blessures graves, des dommages matériels ou la mort.

ATTENTION : Cet appareil doit être muni d'une évacuation vers l'extérieur. Le système d'évacuation ne doit jamais être fixé à une cheminée qui dessert un autre appareil de chauffage à combustible solide. Chaque appareil à gaz doit utiliser un système de ventilation distinct. Ne pas utiliser de système d'évacuation courant.

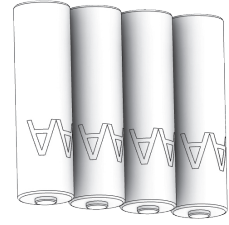
ATTENTION : Ne pas surcharger les espaces aériens avec de l'isolant ou d'autres matériaux. Cela pourrait provoquer une montée de température et présenter un risque d'incendie et des blessures graves, des dommages matériels ou la mort. Le fonctionnement d'un système d'évacuation mal installé et mal entretenu peut entraîner des blessures graves, des dommages matériels ou la mort.

REMARQUE : Le non-respect ces instructions annulera la garantie.

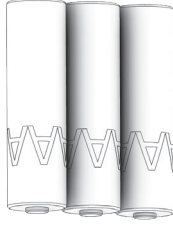
Aperçu des pièces

Lisez attentivement ce manuel du propriétaire et respectez toutes les instructions. Inspectez tout le contenu pour déceler d'éventuels dommages d'expédition et en informer immédiatement votre revendeur le cas échéant. Ne pas installer de pièces endommagées, incomplètes ou de remplacement. Vérifier votre bordereau de marchandises pour vérifier que toutes les pièces énumérées ont été reçues.

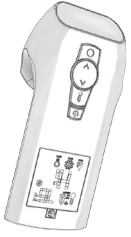
PILES AA (PAQUET DE 4)



PILES AAA (PAQUET DE 3)



TELÉCOM-MANDE



- Dans un véhicule récréatif
- Ou il y a des rideaux, des meubles, des vêtements ou autres objets inflammables à moins de 36 po en avant, au-dessus ou sur les côtés de l'appareil
- Dans les endroits à fort passage
- Dans les zones ventuées ou à courants d'air
- 6. **Cet appareil atteint des températures élevées. Les enfants et les adultes doivent être informés des risques que comportent les surfaces à haute température et doivent demeurer à l'écart de celles-ci pour éviter les brûlures corporelles ou que des vêtements prennent feu. Il restera brûlant un certain temps après son arrêt. Laissez les surfaces refroidir avant de les toucher.**
- 7. **Une surveillance étroite doit être exercée lorsque des enfants se trouvent dans la pièce où l'appareil est installé. Les enfants en bas âge et autres sont susceptibles de se brûler par contact accidentel. Nous recommandons l'existence d'une barrière physique s'il y a les personnes à risque dans la maison. Pour restreindre l'accès à un foyer ou un poêle, installez une barrière de sécurité ajustable pour empêcher les tout-petits, les enfants en bas âge et les autres personnes à risque de s'approcher de la pièce et rester loin des surfaces chaudes.**
- 8. **En raison des hautes températures qu'il dégage, l'appareil doit être installé à l'écart de la circulation, des meubles et des rideaux. Les vêtements et autres matériaux inflammables ne doivent pas être déposés sur l'appareil ni près de celui-ci.**
- 9. Lorsque l'appareil est installé directement sur du tapis, de la tulle ou des matériaux combustibles autres que du plancher en bois, vous devez utiliser un panneau de métal ou de bois ou un protecteur de plancher prolongeant la largeur et la profondeur de l'appareil.
- 10. Ne modifiez en aucun cas l'appareil. Toute pièce retirée pour l'entretien de l'appareil doit être remplacée avant la remise en marche.
- 11. Étiquettes et laissez refroidir l'appareil avant de l'entretenir, l'installer ou le réparer. Seul un technicien qualifié doit l'entretenir ou le réparer.
- 12. Vous devez maintenir la propreté des compartiments de contrôle, des brûleurs et des canaux de circulation d'air. Un entretien plus fréquent pourrait être nécessaire en raison de peluches et de poussière excessives. Fermez la vanne de gaz et la veilleuse avant nettoyage.
- 13. L'inspection du système d'évacuation doit être effectuée par un technicien qualifié. S'il nécessaire, faites nettoyer ou réparer le système d'évacuation.
- 14. Ne pas laisser des matériaux combustibles comme de l'essence et autres vapeurs et liquides inflammables à proximité de l'appareil. Ne pas faire fonctionner l'appareil, où ces matériaux sont utilisés ou stockés. Ne pas déposer des objets comme que des vêtements ou des décorations sur ou autour de l'appareil.
- 15. Ne pas utiliser pour cuire les aliments ou pour brûler du papier ou d'autres objets.
- 16. Ne déposer aucun objet sur l'appareil.
- 17. Ne pas utiliser des combustibles solides (bois, charbon, papier, carton, etc.) dans cet appareil. N'utilisez que le type de gaz indiqué sur la plaque signalétique.
- 18. Après installation, cet appareil doit être mis à la terre conformément aux codes locaux, ou en l'absence de code, avec le National Electrical Code, ANSI/NFPA 70, ou le Code de l'électricité du Canada, CSA C22.1.
- 19. N'obstruez en aucun cas le flux d'air de combustion ou de ventilation. Prévoyez un dégagement suffisant autour des bouches d'air de la chambre de combustion, ainsi que le dégagement d'accès approprié pour l'entretien et le bon fonctionnement.
- 20. Ne pas utiliser si l'un des composants a été immergé. Communiquez immédiatement avec un technicien d'entretien qualifié afin qu'il procède à l'inspection et, si nécessaire, qu'il remplace toute pièce du système de contrôle ou commande de gaz ayant été immergée dans l'eau.
- 21. Ne pas utiliser si l'une des bûches est brisée.
- 22. Ne pas utiliser un insert soufflant, un échangeur de chaleur ou tout autre accessoire non homologué pour une utilisation avec cet appareil.
- 23. Ne pas utiliser lorsque la vitre avant est enlevée, fêlée ou brisée. Le remplacement de la vitre doit être effectué par un personnel d'entretien qualifié.

ATTENTION : VEUILLEZ LIRE ATTENTIVEMENT CE QUI SUIT. Il n'est pas rare d'avoir des odeurs pendant la première combustion. Cela est dû au processus de fabrication. Veuillez vous assurer que votre pièce est bien aérée pendant la combustion : ouvrez toutes les fenêtres. Nous vous recommandons de faire brûler votre foyer pendant au moins dix (10) heures la première fois que vous l'utilisez. Placez l'interrupteur du ventilateur sur la position « Off » pendant cette période.

ATTENTION : Ne jamais raccorder cet appareil à un puits de gaz privés (hors service public). Ce gaz s'appelle également gaz de tête de puits.

Caractéristiques Du Produit

SPÉCIFICATIONS DU PRODUIT

- a été homologué pour fonctionner au gaz naturel ou au propane. Voir les plaques d'information correspondantes.
- n'est pas destiné à une utilisation avec des combustibles solides.
- est homologué pour une installation dans une chambre ou un salon-chambre.
- doit être installé conformément aux codes locaux le cas échéant. S'il n'y a pas, utilisez le code d'installation courant. La norme ANSI Z223.1/NFPA 54 aux États-Unis, la norme CSA B149.1 au Canada.
- est homologué pour les maisons mobiles.
- doit être correctement raccordé à un système d'évacuation.
- n'est pas approuvé pour une installation dans un garde-robe.
- est homologué pour une évacuation à l'aide des composants DuraVent, BDM et Olympia.
- La classification « Matériau non combustible » inclut entre autres la pierre, la brique et le mortier. Les matériaux non combustibles peuvent recouvrir de façon sécuritaire la face métallique peinte en noir (y compris les plaques rayonnantes) et ne posent pas de risque d'incendie. Ne pas laisser un matériau de finition non combustible dépasser ou interférer avec l'ouverture.
- La classification « Matériau combustible » inclut entre autres le contreplaqué, les cloisons sèches ou les panneaux de particules. Les matériaux combustibles peuvent être en contact avec les côtés, le bas ou l'arrière de la boîte à combustion. Ne pas superposer la façade peinte en noir avec des matériaux combustibles.

DÉTECTEURS DE MONOXYDE DE CARBONE AGRÉES
Tous les détecteurs de monoxyde de carbone, tel qu'exigé conformément aux clauses ci-dessus, doivent être conformes à la norme NFPA 720 et être homologués ANSI/UL 2034 et certifiés par l'IAS.

SIGNALÉTIQUE

Une plaque d'identification en métal ou en plastique doit être fixée en permanence à l'extérieur du bâtiment, à au moins huit (8) pieds au-dessus du sol, directement alignée avec le conduit d'évacuation pour le gaz évacué horizontalement de l'appareil ou l'équipement de chauffage. La plaque doit comporter l'inscription suivante en caractères d'au moins un demi-pouce (1/2 po) : « ÉVACUATION DE GAZ JUSTE EN DESSOUS, NE PAS OBSTRUER ».

INSPECTION

L'inspecteur du gaz local ou de l'état de l'appareil au gaz à évacuation horizontale murale ne doit pas approuver l'installation, sauf s'il observe lors de l'inspection que les détecteurs de monoxyde de carbone et la signalétique sont installés conformément aux dispositions de l'article 248 CMR 5.08 (2) (a) 1 à 4.

DISPENSES

L'équipement suivant est dispensé de l'article 248 CMR 5.08 (2) (a) 1 à 4 : L'équipement indiqué au chapitre 10 intitulé « Équipement nécessaire pour l'évacuation horizontale murale » dans la dernière édition de la norme NFPA 54 telle qu'approuvée par le conseil d'administration ; et l'équipement au gaz à évacuation horizontale murale homologué « Produit approuvé » installé dans une pièce ou une construction distincte du logement, de la construction ou du bâtiment utilisé en tout ou partie à des fins résidentielles.

EXIGENCE DU FABRICANT

Système d'évacuation de gaz fourni : lorsque le fabricant de l'appareil au gaz à évacuation horizontale murale homologué « Produit approuvé » fournit un plan du système d'évacuation ou des composants du système avec l'équipement, les instructions fournies par le fabricant pour l'installation de l'équipement et du système d'évacuation doit comprendre :
• Des instructions détaillées pour l'installation du système d'évacuation ou ses composants ; et
• Une liste complète des pièces du modèle de système d'évacuation ou du système d'évacuation.

SYSTÈME D'ÉVACUATION D'ÉQUIPEMENT AU GAZ NON FOURNI

Lorsque le fabricant de l'appareil au gaz à évacuation horizontale murale homologué « Produit approuvé » ne fournit pas les pièces permettant l'évacuation des gaz de combustion, mais qu'il détermine des « systèmes d'évacuation spéciale », ledit fabricant doit respecter les exigences suivantes :

- Les instructions sur les « systèmes d'évacuation spéciale » indiqués doivent être incluses avec les instructions d'installation de l'appareil ou l'équipement, et ;
- Les « systèmes d'évacuation spéciale » doivent être homologués « Produit approuvé » par le conseil d'administration et leurs instructions doivent comprendre une liste des pièces et des instructions d'installation détaillées.

Une copie de toutes les instructions d'installation de l'appareil au gaz à évacuation horizontale murale homologué « Produit approuvé », de toutes les instructions pour le système d'évacuation, ainsi qu'une liste de toutes les pièces requises pour les instructions de l'évacuation et/ou toutes les instructions sur la conception du système d'évacuation, doivent être conservées avec l'appareil une fois l'installation terminée.

Avant De Commencer

ATTENTION : Lisez ce mode d'emploi attentivement et complètement avant de tenter d'assembler, de faire fonctionner ou de dépanner l'appareil. Toute modification de cet appareil ou de ses commandes peut être dangereuse. Une installation ou une utilisation inappropriée peut causer des blessures graves ou la mort par le feu, des brûlures, des explosions, une électrocution et une intoxication au monoxyde de carbone.

Il s'agit d'un produit à event. Il doit être installé de façon appropriée par un technicien qualifié. La porte en verre doit être correctement placée et scellée. Si cet appareil n'est pas correctement installé par un technicien qualifié avec la porte en verre correctement placée et scellée, des fuites de combustion peuvent se produire. EMPLOYER UN MONOXYDE DE CARBONE : Les signes précoces d'empoisonnement au monoxyde de carbone ressemblent aux symptômes typiques de la grippe, avec des maux de tête, des étourdissements ou de la nausée. Si vous avez ces symptômes, cela suggère que le système n'a pas été bien installé. Sortez immédiatement à l'air frais. Faites procéder à une inspection et un entretien par un technicien qualifié. Certaines personnes peuvent être davantage affectées par le monoxyde de carbone. Ces personnes incluent les femmes enceintes, les personnes présentant des problèmes cardiaques ou pulmonaires, les personnes âgées ou celles sous influence d'alcool, ou se trouvant à haute altitude. Le propane/propane liquide et le gaz naturel sont tous inodores. Un produit odorant est ajouté à chacun de ces gaz. Cette odeur vous permet de détecter les fuites de gaz. Cependant, l'odeur qui est ajoutée à ces gaz peut se dissiper. Des gaz peuvent se dégager même s'il n'y a aucune odeur. Assurez-vous de lire et de comprendre tous les avertissements. Conservez ce manuel comme référence. Il est votre guide pour une utilisation sécuritaire et appropriée.

1. L'installation et les réparations doivent être effectuées par un personnel d'entretien qualifié. L'appareil doit être inspecté par un professionnel qualifié avant d'être utilisé, puis au moins une fois par année par celui-ci. Un entretien plus fréquent pourra être nécessaire en raison des peluches de tapis, de literie, etc. Il est primordial de maintenir la propreté des compartiments de contrôle, des brûleurs et des canaux de circulation d'air de l'appareil.

2. Utiliser uniquement le type de gaz indiqué sur la plaque signalétique. Cet appareil n'est pas compatible avec d'autres types de gaz, à moins d'utiliser la trousses agréée à cet effet.

3. Ne pas placer le ou les réservoirs d'alimentation propane/PL à l'intérieur d'une construction. Placez les réservoirs d'alimentation propane/PL à l'extérieur. Pour éviter tout problème de performance, ne pas utiliser de réservoir de propane/PL de capacité inférieure à 100 lb.

4. Si vous détectez une odeur de gaz :

- Coupez l'alimentation en gaz.
- N'allumez aucun appareil.
- N'appuyez sur aucun interrupteur électrique et n'utilisez aucun téléphone dans le bâtiment.
- Rendez-vous chez votre voisin et appelez immédiatement votre fournisseur de gaz. Suivez les instructions du fournisseur de gaz.
- 5. Ne jamais installer :

Étiquette De Sécurité

REMARQUE: cette image n'est qu'un exemple. L'étiquette sur l'unité réelle variera légèrement.

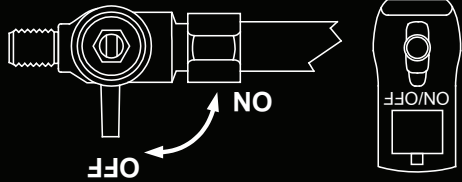
POUR PLUS DE SÉCURITÉ LIRE AVANT DE METTRE EN MARCHÉ

AVERTISSEMENT: Quelconque ne respecte pas à lettre les instructions dans la présente notice risque de déclencher un incendie ou une explosion entraînant des dommages, des blessures ou la mort.

- A. Cet appareil est muni d'un dispositif d'allumage qui allume automatiquement la veilleuse. Ne tentez pas d'allumer la veilleuse manuellement.
- B. AVANT DE FAIRE FOCTIONNER, renfitez tout autour de l'appareil pour déceler une odeur de gaz. Renfitez près du plancher, car certains gaz sont plus lourds que l'air et peuvent s'accumuler au niveau du sol.
- QUE FAIRE SI VOUS SENTEZ UNE ODEUR DE GAZ:
 - Nepas tente d'allumer l'appareil.
 - Ne touchez à aucun interrupteur: ne pas vous servir des téléphones se trouvant dans le bâtiment.
 - Appelez immédiatement votre fournisseur de gaz depuis un voisin. Suivez les instructions du fournisseur.

INSTRUCTIONS DE MISE EN MARCHÉ

1. **ARRÊTEZ!** Lisez les instructions de sécurité sur la portion supérieure de cette étiquette.
2. Appuyez sur le bouton OFF de la télécommande.
3. Coupez l'alimentation électrique de l'appareil.
4. Cet appareil est équipé d'un dispositif d'allumage qui allume automatiquement le pilote. Ne pas essayer d'allumer la veilleuse à la main.
5. Localisez la robinet manuel d'arrêt de gaz installée par votre installateur de service qualifié. Tournez le robinet en sens horaire à la position OFF.
6. Attendez cinq (5) minutes pour laisser échapper tout le gaz. Renfitez tout autour de l'appareil, y compris près du plancher, pour déceler un odeur de gaz.
7. **ARRÊTEZ!** Passez à l'étape B des instructions de sécurité sur la portion supérieure de cette étiquette. S'il n'y a pas d'odeur de gaz, passez à l'étape suivante.
8. Mettez l'appareil sous tension.
9. Appuyez sur le bouton ON de la télécommande.
10. Si l'appareil ne se met pas en marche, suivez les instructions indiquées «Comment couper l'admission de gaz de l'appareil» et appelez un technicien qualifié ou le fournisseur de gaz.



COMMENT COUPER L'ADMISSION DE GAZ DE L'APPAREIL

ATTENTION: L'appareil est chaud lorsqu'il fonctionne. Ne pas toucher l'appareil. Risque de brûlures graves. Surveiller les enfants. Garder les vêtements et les meubles loin de l'appareil. S'assurer que le brûleur et le compartiment des commandes sont propres. Voir les instructions d'installation et d'utilisation qui accompagnent l'appareil.

ATTENTION: Ne pas utiliser l'appareil si le panneau front en verre n'est pas en place, est craqué ou brisé. Confiez le remplacement du panneau à un technicien agréé.

REMARQUE: De la condensation va apparaître sur la vitre lors du premier allumage. C'est normal et elle disparaîtra au bout de quelques minutes. Vous sentirez une odeur de peinture au cours des premières heures de la combustion. Nous vous recommandons de laisser le ventilateur éteint pendant cette période afin d'accélérer la polymérisation de la peinture. Des bruits de degrés divers peuvent se produire lorsque l'appareil chauffe et se refroidit, en raison de la dilatation et la contraction du métal. Il s'agit d'un phénomène normal qui n'a pas d'incidence sur la performance ou la longévité. Voir la section « Instructions relatives à la polymérisation » du présent manuel.

Exigences pour le Commonwealth du Massachusetts

Les exigences ci-après font référence aux différents codes du Massachusetts et aux codes nationaux ne figurant pas dans ce manuel. Pour tous les appareils au gaz à évacuation horizontale murale installés dans toute construction, tout logement ou bâtiment utilisé en tout ou en partie à des fins résidentielles, y compris ceux qui appartiennent au Commonwealth ou qui sont exploités par ce dernier, et où la sortie du conduit d'évacuation dans le mur latéral est à moins de sept (7) pieds au-dessus du sol fini dans la zone de l'évacuation, il convient de respecter les exigences suivantes:

INSTALLATION DES DÉTECTEURS DE MONOXYDE DE CARBONE

Au moment d'installer l'appareil au gaz à évacuation horizontale murale, le plombier (ou le monteur d'installations au gaz) doit vérifier qu'un détecteur de monoxyde de carbone est installé au niveau du sol, où l'appareil au gaz doit être installé. De plus, le plombier (ou le monteur d'installations au gaz) doit vérifier qu'un détecteur de monoxyde de carbone est installé à tous les autres étages du bâtiment, de l'habitation ou de la structure desservi par l'appareil au gaz à évacuation horizontale murale. Il va de la responsabilité du propriétaire de s'assurer les services de professionnels agréés pour l'installation des détecteurs de monoxyde de carbone. En cas d'installation de l'appareil au gaz à évacuation horizontale murale dans un vide sanitaire ou un grenier, le plombier le détecteur de monoxyde de carbone câblé avec alarme et batterie de secours peut-être installé au niveau du plancher le plus proche. Si les exigences de cette sous-section ne peuvent pas être satisfaites au moment d'achever l'installation, le propriétaire disposera d'une période de trente (30) jours pour se conformer aux exigences ci-dessus, pourvu toutefois qu'au cours de cette période de trente (30) jours, un détecteur de monoxyde de carbone à batterie avec alarme soit installé.

Certifications


LABORATOIRE :

Laboratoires PFS-TECO

NORMES :

- ANSI Z21.88-2017/CSA 2.33-2017, Appareils de chauffage et foyers au gaz rejétés à l'air libre
 - CSA 2.17-2017, Appareils au gaz destinés à la haute altitude
 - CSA P.4.1-2015, Méthodes de test pour mesurer l'efficacité annuelle du foyer
- Cette installation doit être conforme aux codes locaux ou, en l'absence de ceux-ci, au National Fuel Gas Code, la norme ANSI Z223.1/NFPA 54, ou le Code d'installation du gaz naturel et du propane CSA B149.1.


DANGER



HOT GLASS WILL CAUSE BURNS. DO NOT TOUCH UNTIL COOLED. NEVER ALLOW CHILDREN TO TOUCH GLASS.

A barrier designed to reduce the risk of burns from the hot viewing glass is provided with this appliance and shall be installed for the protection of children and other at-risk individuals.

852502B



NATIONAL FIREPLACE INSTITUTE

CERTIFIED

www.nfircertified.org

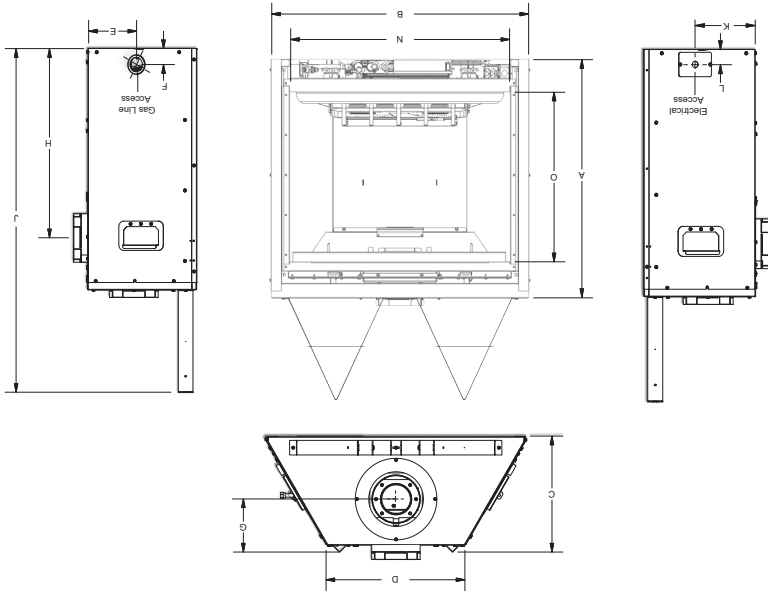
We recommend that our gas hearth products be installed and serviced by professionals who are certified in the U.S. by the National Fireplace Institute® (NFI) as NFI Gas Specialists.

Si les codes locaux ne l'interdisent pas, l'appareil peut être installé dans une maison préfabriquée (États-Unis seulement) ou mobile installée de manière permanente après commercialisation. Cet appareil n'est compatible qu'avec le type de gaz indiqué sur la plaque signalétique, et il n'est pas convertible pour une utilisation avec un autre appareil au gaz, à moins d'utiliser une trousses agréée.

• Après commercialisation : vente conclue, produit non destiné à la revente, provenant du fabricant.

Dimensions

Dimensions physiques		
	mm	pouces
A	839	33
B	902	35 - 1/2
C	394	15 - 1/2
D	483	19
E	166	6 - 1/2
F	58	2 - 1/4
G	166	6 - 1/2
H	661	26
J	1094	47
K	204	8
L	51	2



Remarque : Enregistrez votre produit en utilisant votre téléphone intelligent avec le code QR. Conservez vos reçus avec vos dossiers pour toute réclamation au titre de la garantie. Vous pouvez également enregistrer votre produit en ligne sur www.breckwell.com/product-registration



BRECKWELL



Modèle BH3024FP



AVERTISSEMENT :

RISQUE D'INCENDIE OU D'EXPLOSION

Le non-respect strict des instructions de sécurité risque de provoquer des blessures graves, la mort ou des dommages matériels.

- N'utilisez ou n'entrez pas d'essence ou autres vapeurs ou liquides inflammables à proximité de cet appareil ou un autre.
- **QUE FAIRE SI VOUS DÉCELEZ UNE ODEUR DE GAZ?**
- N'allumez aucun appareil.
- N'appuyez sur aucun interrupteur électrique et n'utilisez aucun téléphone dans le bâtiment.
- Quittez immédiatement le bâtiment.
- Rendez-vous chez votre voisin et appelez immédiatement votre fournisseur de gaz. Suivez les instructions du fournisseur de gaz.
- Si vous n'arrivez pas à joindre votre fournisseur de gaz, appelez le service d'incendie.

- L'installation et l'entretien de l'appareil doivent être effectués par un installateur qualifié, un service d'entretien ou le fournisseur de gaz.

Vous devez lire ce manuel AVANT d'installer et d'utiliser ce foyer.

INSTALLATEUR : Laissez ce manuel avec l'appareil.
CONSUMMATEUR : Conservez ce manuel comme référence ultérieure.

AVERTISSEMENT CONCERNANT LA PROPOSITION 65 DE L'ÉTAT DE LA CALIFORNIE :
Ce produit peut vous exposer à des agents chimiques, y compris au monoxyde de carbone, lesquels sont reconnus dans l'État de la Californie comme causant le cancer et des malformations congénitales ou autres dommages au fœtus. Pour obtenir plus de renseignements, veuillez consulter le site www.P65warnings.ca.gov



Rapport no: F18-426R1

227 Industrial Park Rd. • South Pittsburg, TN 37380 • Phone: 423-403-4031 • Web: www.breckwell.com